

Introduction

MPMC is a fully parameterizable memory controller that supports SDRAM/DDR/DDR2/DDR3/LPDDR memory. MPMC provides access to memory for one to eight ports, where each port can be chosen from a set of Personality Interface Modules (PIMs) that permit connectivity into PowerPC[®] 405 processors and MicroBlaze[™] processors using IBM CoreConnect[®] Toolkit Processor Local Bus (PLB)v4.6 and the Xilinx[®] CachLink (XCL) structures, as well as a Memory Interface Block (MIB) PIM (PPC440MC) for the PowerPC 440 Processor. MPMC supports the Soft Direct Memory Access (SDMA) controller that provides full-duplex, high-bandwidth, LocalLink interfaces into memory. A Video Frame Buffer Controller (VFBC) PIM is also available. For low-level direct access to the memory controller core, a Native Port Interface (NPI) PIM is available for soft memory controllers and the Memory Controller Block (MCB) PIM is available for the Spartan-6 hard memory controller. Additionally, MPMC supports optional Error Correcting Code (ECC), Performance Monitoring (PM), and Debug registers.

Features

- Soft Direct Memory Access (SDMA) support
- Double Data Rate (DDR/DDR2/DDR3/LPDDR) and Single Data Rate (SDR) SDRAM memory support.
- DIMM support (registered and unbuffered).
- Error Correcting Code (ECC) Performance Monitoring (PM), and Debug register support.
- Parameterizable:
 - number of ports (1 to 8)
 - number of data bits to memory (4, 8, 16, 32, 64)
 - configuration of data path FIFOs
- Memory Interface Generator (MIG)-based PHY v3.6.1 support for Spartan-3, Virtex-4 and Virtex-5
- MIG-based support (v3.8) for Spartan-6 and Virtex-6 (*Features are continued on next page*)

LogiCORE™ Facts	
Core Specifics	
Supported Devices ⁽¹⁾	Spartan [®] -(3/3A/3E/3AN/3ADSP) Virtex [®] -4, Virtex-5, Virtex-6, Spartan-6
Design Tool Requirements	
Xilinx Implementation Tools	ISE [®] Design Suite 13
Verification	
Simulation	IUS (v10.2) (LINUX only) ModelSim (v6.6d)
Synthesis	XST
Resources Used	See " Performance, Timing, and Resource Utilization ," page 204.
Provided with Core	
Documentation	DS643 Multi-Port Memory Controller (MPMC) (this document)
Design File Formats	Verilog, VHDL
Reference Designs Application Notes	See " Reference Documents ," page 234.
Support	
Provided by www.xilinx.com	

1. See "[FPGA Device Support](#)," page 3. Also, see the Release Notes for this core and www.xilinx.com/ise/embedded/ddsupport.htm for derivative device support.

Note: This document uses the terms “PLB v4.6” and “PLB” to refer to PLB v4.6 with Xilinx simplifications. MPMC does not support earlier versions of PLB (such as PLB v3.4). Also, MPMC does not directly connect to OPB peripherals; such connection would require a PLB v4.6 to OPB or an OPB to PLB v4.6 bridge. See "[Reference Documents](#)," page 234 for information about this bus standard and about the migration of designs to use this standard.

Features (*continued*)

- Static Physical (PHY) interface alternative to the MIG-based PHY
- User configuration of arbitration algorithms
- Customize-able Interfaces: XCL, LocalLink (using SDMA), PLB v4.6 with Xilinx simplifications, NPI, MCB, MIB/PPC440MC, and VFBC

Note: Some features might have limitations or might not be available in some architectures. Review the MPMC architecture-specific features in [Table 1](#) for more information.

MPMC Architecture-Specific Features

[Table 1](#) lists the MPMC architecture-specific features.

Table 1: MPMC Architecture-Specific Features

Feature	Architecture				
	Spartan-3	Virtex-4	Virtex-5	Spartan-6	Virtex-6
PLB PIM	X	X	X	X	X
XCL PIM	X	X	X	X	X
SDMA PIM ⁽³⁾	X	X	X	X	X
PPC440MC PIM	Virtex-5 FX Only				
VFBC PIM	X	X	X	X	X
NPI PIM	X	X	X	X	X
MCB PIM				X	
Maximum Number of Ports	8	8	8	6, 3, 2 or 1 ⁽¹⁾	8
SDRAM memory (Width) ⁽²⁾	8, 16, 32, 64	8, 16, 32, 64	8, 16, 32, 64		
DDR memory (Width) ⁽²⁾	8, 16, 32, 64	8,16,32,64	8,16,32,64	4,8,16	
LPDDR memory (Width) ⁽²⁾				16	
DDR2 memory (Width) ⁽²⁾	8, 16, 32, 64	8, 16, 32, 64	8, 16, 32, 64	4, 8, 16	8, 16, 32
DDR3 memory (Width) ⁽²⁾				4, 8, 16	8, 16, 32
Debug Registers	X	X	X		
ECC	X	X	X		
Static PHY	X	X	X		
MIG PHY (v.3.61)	X	X	X		
Spartan-6 MCB (Controller and PHY)				X	
Performance Monitors	X	X	X	X	X
MIG v3.8 Support				X	X

Notes:

1. Maximum Number of Ports is dependent upon the MCB Port Configuration Mode.
2. Maximum memory width might be limited by the I/O of the device.
3. SDMA support is dependent upon architecture and external memory width.

FPGA Device Support

Table 2 lists the supported device families:

Table 2: MPMC Supported Devices

FPGA Devices
Spartan-3 Spartan-3E Spartan-3A, Spartan-3AN Spartan-3A DSP Spartan-6, Virtex-4, Virtex-5 Virtex-6 ⁽¹⁾
This tables list the main supported architectures for MPMC. MPMC also supports derivative architectures as listed in www.xilinx.com/ise/embedded/ddsupport.htm ; however, consult MIG documentation for latest device and derivative device support information. MPMC generally treats derivative device families such as Automotive (XA), QPro (Q, QR, XQ), and Low Power (L) as the equivalent base family device. Note: MPMC and MIG designs may not have been re-tested or re-characterized across all derivative device families in hardware.
1. Support for this device family is Pre-Production (designs might not be functional in hardware or may have a limited range of operation. Consult MIG documentation for latest device support information).

Design Parameters

The following tables provide the design parameters, allowable values, and descriptions for the MPMC system, associated memory, and Personality Interface Modules (PIMs). Parameter values that are strings or that contain alpha-numeric characters must be uppercase.

System Parameters

Table 3 lists the system parameters.

Table 3: System Parameters

Parameter Name	Default Value	Allowable Values	Description
C_ALL_PIMS_SHARE_ADDRESSES ⁽¹⁾	1	0,1	Specifies whether MPMC ports use the C_MPMC_BASEADDR and C_MPMC_HIGHADDR for address decoding or if ports have independent address range decoding. Also specifies whether SDMA control register interfaces use the C_SDMA_CTRL_BASEADDR and C_SDMA_CTRL_HIGHADDR for address decoding or MPMC ports and SDMA control register ports have independent address range decoding. 1 = MPMC ports use C_MPMC_BASEADDR and C_MPMC_HIGHADDR for address decoding; SDMA control registers use C_SDMA_CTRL_BASEADDR and C_SDMA_CTRL_HIGHADDR. 0 = MPMC ports and SDMA control registers have independent address range decoding.
C_ARB_PIPELINE ⁽⁹⁾	1	0,1	Enables or disables the Arbiter Pipeline: 0 = Disable Arbiter Pipeline. 1 = Enable Arbiter Pipeline. (performance)
C_ARB_USE_DEFAULT	0	0	Default Arbitration Algorithm to use (<i>unimplemented</i>).
C_ARB0_ALGO	ROUND_ROBIN	ROUND_ROBIN, FIXED, CUSTOM	String that specifies the arbitration scheme to use for Algorithm 0 (Custom will consume a block RAM). Only valid if C_NUM_PORTS > 1. When set to FIXED, the priority order is from Port 0 to Port 7 and cannot be changed irrespective of C_ARB0_SLOTx settings.
C_ARB0_NUM_SLOTS	1	1-16	Number of time slots to use for Custom Algorithm. Only valid if C_ARB0_ALGO = CUSTOM. Can only be set to 10 or 12 on Spartan-6.
C_ARB0_SLOT0 . . . C_ARB0_SLOT15	NONE	String of Numbers Example: "01234567"	Arbitration Priority for Time Slot <i>n</i> where <i>n</i> is 0-15, and the number of valid Time Slots is from 0 to (C_ARB0_NUM_SLOTS-1). Left to right, highest to lowest priority. Every valid port must be specified once only. Only valid if C_ARB0_ALGO = CUSTOM.

- When C_ALL_PIMS_SHARE_ADDRESSES is set to 1, C_MPMC_BASEADDR is used for all ports for memory access addressing and C_SDMA_CTRL_BASEADDR is used for all SDMA PIMs (if applicable).
If set to 0, the C_PIMx_BASEADDR, and C_SDMA_CTRLx_BASEADDR parameters are used.
- Valid if C_PM_ENABLE is set to 1.
- Valid when using Static PHY (C_USE_STATIC_PHY = 1).
- C_PIM<Port_Num>_BASETYPE must be set to 0 for unused ports that are outside the number active ports specified by C_NUM_PORTS.
For example, if C_NUM_PORTS = 4, then C_PIM4_BASETYPE, C_PIM5_BASETYPE, C_PIM6_BASETYPE, and C_PIM7_BASETYPE must all be 0.
- Valid when using MIG-based Virtex-4/Virtex-5 DDR/DDR2 PHY.
- Memory calibration simulation times vary based on C_MEM_WIDTH and C_FAMILY and assume C_SKIP_SIM_INIT_DELAY = 1:
Virtex4 DDR = 90us
Virtex4 DDR2 = 50us
Virtex5 DDR = 1400us
Virtex5 DDR2 = 100us
- Valid only if the Performance Monitors (PM), Error Correction Code (ECC), Debug registers, or Static PHY feature is enabled.
- C_PIM<Port_Num>_HIGHADDR+C_PIM<Port_Num>_OFFSET represents the high physical memory address that the corresponding port is allowed to access.
- Not supported on Spartan-6.
- Spartan-6 only.
- Virtex-6 only.
- Spartan-3, Virtex-4, and Virtex-5 only.

Table 3: System Parameters (Cont'd)

Parameter Name	Default Value	Allowable Values	Description
C_DEBUG_REG_ENABLE	0	0,1	0 = Disable MIG Debug registers 1 = Enable MIG Debug registers (Spartan-3, Virtex-4, and Virtex-5 MIG PHY only).
C_FAMILY	virtex5	STRING	virtex4, qvirtex4, qrvirtex4, virtex5, virtex6, spartan3, aspartan3, spartan3a, spartan3adsp, spartan3e, aspartan3e, aspartan3a, spartan6
C_IDELAYCTRL_LOC ⁽⁵⁾	NOT_SET	STRING	IDELAYCTRL constraint locations (Hyphen separated).
C_IODELAY_GRP ⁽¹¹⁾	NOT_SET	STRING	User defined name used to group IDELAYCTRL and IODELAY elements together.
C_MAX_REQ_ALLOWED	1	1	Number of requests MPMC can queue per port.
C_MCB_LOC ⁽¹⁰⁾	NOT_SET	NOT SET, MEMC1, MEMC2, MEMC3, MEMC4	Location of MCB for devices with multiple MCB sites. See section " Spartan-6 C_MCB_LOC Parameter ," page 132 for more information.
C_MCB_USE_EXTERNAL_BUFPLL ⁽¹⁰⁾	0	0,1	Use an external BUFPLL_MCB to drive the MCB clock. This option is used typically when two active MCBs are on the same side of the FPGA and must share a common BUFPLL_MCB. The second MCB must then share the BUFPLL_MCB from the primary MCB. 0 = Instantiate a BUFPLL_MCB inside MPMC 1 = Do not Instantiate a BUFPLL_MCB inside MPMC.
C_MCB_RZQ_LOC ⁽¹⁰⁾	NOT_SET	NOT_SET <Valid Pin Locations>	Specifies the LOC constraint for the RZQ pin. This parameter is translated to a core level LOC constraint for the RZQ pin, and is required only if the RZQ signal is connected. The valid values for the parameter vary based on the MCB bank selected with the C_MCB_LOC constraint. It must match the pinout of the FPGA to the board.

- When C_ALL_PIMS_SHARE_ADDRESSES is set to 1, C_MPMC_BASEADDR is used for all ports for memory access addressing and C_SDMA_CTRL_BASEADDR is used for all SDMA PIMs (if applicable).
If set to 0, the C_PIMx_BASEADDR, and C_SDMA_CTRLx_BASEADDR parameters are used.
- Valid if C_PM_ENABLE is set to 1.
- Valid when using Static PHY (C_USE_STATIC_PHY = 1).
- C_PIM<Port_Num>_BASETYPE must be set to 0 for unused ports that are outside the number active ports specified by C_NUM_PORTS.
For example, if C_NUM_PORTS = 4, then C_PIM4_BASETYPE, C_PIM5_BASETYPE, C_PIM6_BASETYPE, and C_PIM7_BASETYPE must all be 0.
- Valid when using MIG-based Virtex-4/Virtex-5 DDR/DDR2 PHY.
- Memory calibration simulation times vary based on C_MEM_WIDTH and C_FAMILY and assume C_SKIP_SIM_INIT_DELAY = 1:
Virtex4 DDR = 90us
Virtex4 DDR2 = 50us
Virtex5 DDR = 1400us
Virtex5 DDR2 = 100us
- Valid only if the Performance Monitors (PM), Error Correction Code (ECC), Debug registers, or Static PHY feature is enabled.
- C_PIM<Port_Num>_HIGHADDR+C_PIM<Port_Num>_OFFSET represents the high physical memory address that the corresponding port is allowed to access.
- Not supported on Spartan-6.
- Spartan-6 only.
- Virtex-6 only.
- Spartan-3, Virtex-4, and Virtex-5 only.

Table 3: System Parameters (Cont'd)

Parameter Name	Default Value	Allowable Values	Description
C_MCB_ZIO_LOC ⁽¹⁰⁾	NOT_SET	NOT_SET <Valid Pin Locations>	Specifies the LOC constraint for the ZIO pin. This parameter is translated into a core level LOC constraint for the ZIO pin, and is required only if the ZIO signal is connected. The valid values for the parameter vary based on the MCB bank selected with the C_MCB_LOC constraint. It must match the pinout of the FPGA to the board.
C_MEM_ADDR_ORDER ⁽¹⁰⁾	BANK_ROW_COLUMN	BANK_ROW_COLUMN, ROW_BANK_COLUMN	Defines the order with which the address bus is divided into row, bank, and column bits
C_MEM_CALIBRATION_SOFT_IP ⁽¹⁰⁾	FALSE	TRUE, FALSE	FALSE = Disable Soft Calibration Logic TRUE = Enable Soft Calibration Logic (Strongly recommended for Production silicon)
C_MPMC_BASEADDR ⁽¹⁾	0xFFFFFFFF	Valid Address	MPMC PIMs shared base address.
C_MPMC_HIGHADDR ⁽¹⁾	0x00000000	Valid Address	MPMC PIMs shared high address. MPMC supports a maximum of two gigabytes of memory.
C_MPMC_CLK_MEM_2X_PERIOD_PS ⁽¹⁰⁾	1	1250-12500	Clock memory value is calculated automatically based on what is connected to Port MPMC_Clk_Mem_2x in XPS (for example a clock_generator output or a signal/port with MHS tag CLK_FREQ = xxxx.) The value can be overwritten; if set by the user, it is not calculated.
C_MPMC_CTRL_BASEADDR ⁽⁷⁾	0xFFFFFFFF	Valid Address	MPMC CTRL PLB v4.6 base address. Must be 64K aligned.
C_MPMC_CTRL_HIGHADDR ⁽⁷⁾	0x00000000	Valid Address	MPMC CTRL PLB v4.6 high address.
C_MPMC_CTRL_AWIDTH ⁽⁷⁾	32	32	PLB v4.6 Address width.
C_MPMC_CTRL_DWIDTH ⁽⁷⁾	64	32, 64, 128	PLB v4.6 Data width.
C_MPMC_CTRL_NATIVE_DWIDTH ⁽⁷⁾	32	32	PLB v4.6 Native data width.
C_MPMC_CTRL_PLB_NUM_MASTERS ⁽⁷⁾	1	0-16	PLB v4.6 Number of masters on the bus.
C_MPMC_CTRL_PLB_ID_WIDTH ⁽⁷⁾	1	0-4	PLB v4.6 Master ID width.
C_MPMC_CTRL_P2P ⁽⁷⁾	1	0, 1	PLB v4.6 Point-To-Point (P2P) support.
C_MPMC_CTRL_SUPPORT_BURSTS ⁽⁷⁾	0	0, 1	PLB v4.6 PIM burst support.

- When C_ALL_PIMS_SHARE_ADDRESSES is set to 1, C_MPMC_BASEADDR is used for all ports for memory access addressing and C_SDMA_CTRL_BASEADDR is used for all SDMA PIMs (if applicable).
If set to 0, the C_PIMx_BASEADDR, and C_SDMA_CTRLx_BASEADDR parameters are used.
- Valid if C_PM_ENABLE is set to 1.
- Valid when using Static PHY (C_USE_STATIC_PHY = 1).
- C_PIM<Port_Num>_BASETYPE must be set to 0 for unused ports that are outside the number active ports specified by C_NUM_PORTS.
For example, if C_NUM_PORTS = 4, then C_PIM4_BASETYPE, C_PIM5_BASETYPE, C_PIM6_BASETYPE, and C_PIM7_BASETYPE must all be 0.
- Valid when using MIG-based Virtex-4/Virtex-5 DDR/DDR2 PHY.
- Memory calibration simulation times vary based on C_MEM_WIDTH and C_FAMILY and assume C_SKIP_SIM_INIT_DELAY = 1:
Virtex4 DDR = 90us
Virtex4 DDR2 = 50us
Virtex5 DDR = 1400us
Virtex5 DDR2 = 100us
- Valid only if the Performance Monitors (PM), Error Correction Code (ECC), Debug registers, or Static PHY feature is enabled.
- C_PIM<Port_Num>_HIGHADDR+C_PIM<Port_Num>_OFFSET represents the high physical memory address that the corresponding port is allowed to access.
- Not supported on Spartan-6.
- Spartan-6 only.
- Virtex-6 only.
- Spartan-3, Virtex-4, and Virtex-5 only.

Table 3: System Parameters (Cont'd)

Parameter Name	Default Value	Allowable Values	Description
C_MPMC_CTRL_SMALLEST_MASTER ⁽⁷⁾	32	32, 64, 128	PLB v4.6 smallest master on bus.
C_MPMC_SW_BASEADDR	0xFFFFFFFF	valid address	MPMC PIMs software base address used by MPMC drivers only when C_ALL_PIMS_SHARE_ADDRESSES=0. If not set to valid value, the software driver uses the value from C_PIM0_BASEADDR when C_ALL_PIMS_SHARE_ADDRESSES=0.
C_MPMC_SW_HIGHADDR	0x00000000	valid address	MPMC PIMs software high address used by MPMC drivers only when C_ALL_PIMS_SHARE_ADDRESSES=0. If not set to a valid value, the software driver uses the value from C_PIM0_HIGHADDR when C_ALL_PIMS_SHARE_ADDRESSES=0.
C_NUM_IDELAYCTRL ⁽⁵⁾	1	0-16	Number of IDELAYCTRL elements to instantiate.
C_NUM_PORTS	1	1-8	Number of Interface Ports. MPMC GUI automatically sets the value and places the correct parameter in the Microprocessor Hardware Specification (MHS) file. On Spartan-6 the maximum number of ports can be limited to 6 or less depending on the value of C_PORT_CONFIG.
C_PM_ENABLE	0	0,1	Performance Monitor (PM) enable or disable: 0 = Disable 1 = Enable
C_PM_DC_WIDTH ⁽²⁾	48	1- 64	Sets the width of the PM dead cycle counters
C_PM_GC_CNTR ⁽²⁾	1	0,1	Global Clock Counter enable or disable: 0 = Disable 1 = Enable
C_PM_GC_WIDTH ⁽²⁾	48	1- 64	Sets the width of the PM Global Cycle counter.
C_PM_SHIFT_CNT_BY ⁽²⁾	1	0-3	Specifies the size of the histogram bins used by the Performance Monitors.

- When C_ALL_PIMS_SHARE_ADDRESSES is set to 1, C_MPMC_BASEADDR is used for all ports for memory access addressing and C_SDMA_CTRL_BASEADDR is used for all SDMA PIMs (if applicable).
If set to 0, the C_PIMx_BASEADDR, and C_SDMA_CTRLx_BASEADDR parameters are used.
- Valid if C_PM_ENABLE is set to 1.
- Valid when using Static PHY (C_USE_STATIC_PHY = 1).
- C_PIM<Port_Num>_BASETYPE must be set to 0 for unused ports that are outside the number active ports specified by C_NUM_PORTS.
For example, if C_NUM_PORTS = 4, then C_PIM4_BASETYPE, C_PIM5_BASETYPE, C_PIM6_BASETYPE, and C_PIM7_BASETYPE must all be 0.
- Valid when using MIG-based Virtex-4/Virtex-5 DDR/DDR2 PHY.
- Memory calibration simulation times vary based on C_MEM_WIDTH and C_FAMILY and assume C_SKIP_SIM_INIT_DELAY = 1:
Virtex4 DDR = 90us
Virtex4 DDR2 = 50us
Virtex5 DDR = 1400us
Virtex5 DDR2 = 100us
- Valid only if the Performance Monitors (PM), Error Correction Code (ECC), Debug registers, or Static PHY feature is enabled.
- C_PIM<Port_Num>_HIGHADDR+C_PIM<Port_Num>_OFFSET represents the high physical memory address that the corresponding port is allowed to access.
- Not supported on Spartan-6.
- Spartan-6 only.
- Virtex-6 only.
- Spartan-3, Virtex-4, and Virtex-5 only.

Table 3: System Parameters (Cont'd)

Parameter Name	Default Value	Allowable Values	Description
C_PORT_CONFIG ⁽¹⁰⁾	1	0-4	Spartan-6 port configuration where: <ul style="list-style-type: none"> B represents bidirectional ports U represents unidirectional ports followed by port bit width. 0 = 6 ports (B32 B32 U32 U32 U32 U32) 1 = 4 ports (B32 B32 B32 B32) 2 = 3 ports (B64 B32 B32) 3 = 2 ports (B64 B64) 4 = 1 port (B128)
C_RD_DATAPATH_TML_MAX_FANOUT ⁽⁹⁾	0	0,1,2,4,8	Read Database Timing Management Logic Maximum register Fanout. Controls the fanout of the PHY layer to the read FIFO data path: 0 = no register is instantiated. 1 = the read data is forwarded from the PHY to eight sets of registers, then forwarded on to each of the read FIFOs. 2 = the read data is forwarded from the PHY to four sets of registers. The outputs of the registers are the forwarded on to a maximum of two read FIFOs ¹ . 4 = the read data is forwarded from the PHY to two sets of registers. The outputs of the registers are the forwarded on to a maximum of four read FIFOs ¹ . 8 = the read data is forwarded from the PHY to a single register. The output of the register is forwarded on to a maximum of eight read FIFOs. Note: 1. Values of 3, 5, 6, 7 are invalid.
C_SPECIAL_BOARD	NONE	S3E_STKIT, S3E_1600E, S3A_STKIT, NONE	Xilinx special physical layer for Spartan-3E and Spartan-3A boards.

- When C_ALL_PIMS_SHARE_ADDRESSES is set to 1, C_MPMC_BASEADDR is used for all ports for memory access addressing and C_SDMA_CTRL_BASEADDR is used for all SDMA PIMs (if applicable). If set to 0, the C_PIMx_BASEADDR, and C_SDMA_CTRLx_BASEADDR parameters are used.
- Valid if C_PM_ENABLE is set to 1.
- Valid when using Static PHY (C_USE_STATIC_PHY = 1).
- C_PIM<Port_Num>_BASETYPE must be set to 0 for unused ports that are outside the number active ports specified by C_NUM_PORTS. For example, if C_NUM_PORTS = 4, then C_PIM4_BASETYPE, C_PIM5_BASETYPE, C_PIM6_BASETYPE, and C_PIM7_BASETYPE must all be 0.
- Valid when using MIG-based Virtex-4/Virtex-5 DDR/DDR2 PHY.
- Memory calibration simulation times vary based on C_MEM_WIDTH and C_FAMILY and assume C_SKIP_SIM_INIT_DELAY = 1:
 Virtex4 DDR = 90us
 Virtex4 DDR2 = 50us
 Virtex5 DDR = 1400us
 Virtex5 DDR2 = 100us
- Valid only if the Performance Monitors (PM), Error Correction Code (ECC), Debug registers, or Static PHY feature is enabled.
- C_PIM<Port_Num>_HIGHADDR+C_PIM<Port_Num>_OFFSET represents the high physical memory address that the corresponding port is allowed to access.
- Not supported on Spartan-6.
- Spartan-6 only.
- Virtex-6 only.
- Spartan-3, Virtex-4, and Virtex-5 only.

Table 3: System Parameters (Cont'd)

Parameter Name	Default Value	Allowable Values	Description
C_SKIP_SIM_INIT_DELAY ^(6, 9)	0	0,1	For simulation only, allows a shorter initialization sequence. On Virtex-6, when this parameter is enabled, MIG PHY parameters are set as follows: <ul style="list-style-type: none"> - MEM_CAL_WIDTH = HALF - OCB_MONITOR = OFF - SIM_INIT_OPTION=SKIP_PU_DLY - SIM_CAL_OPTION = FAST_CAL
C_STATIC_PHY_RDEN_DELAY ⁽³⁾	5	0-15	Sets power-on or reset value of RDENDELAY register.
C_STATIC_PHY_RDDATA_CLK_SEL ⁽³⁾	0	0,1	Sets power-on or reset value of RDDATA_CLK_SEL register.
C_STATIC_PHY_RDDATA_SWAP_RISE ⁽³⁾	0	0,1	Sets power-on or reset value of RDDATA_SWAP_RISE register.
C_USE_MIG_FLOW	0	0,1	Enables and disables the use of the integrated MIG GUI flow from the MPMC IP Configuration GUI. 0 = Normal MPMC flow without integrated MIG GUI flow. 1 = Enables the use of the integrated MIG GUI Flow for running the MIG GUI from the MPMC IP Configuration GUI. This setting also links the area, timing, and I/O placement constraints automatically from the MIG GUI with the MPMC EDK project. See " Integrated MIG GUI Flow ," page 104 for more information.

1. When C_ALL_PIMS_SHARE_ADDRESSES is set to 1, C_MPMC_BASEADDR is used for all ports for memory access addressing and C_SDMA_CTRL_BASEADDR is used for all SDMA PIMs (if applicable).
If set to 0, the C_PIMx_BASEADDR, and C_SDMA_CTRLx_BASEADDR parameters are used.
2. Valid if C_PM_ENABLE is set to 1.
3. Valid when using Static PHY (C_USE_STATIC_PHY = 1).
4. C_PIM<Port_Num>_BASETYPE must be set to 0 for unused ports that are outside the number active ports specified by C_NUM_PORTS.
For example, if C_NUM_PORTS = 4, then C_PIM4_BASETYPE, C_PIM5_BASETYPE, C_PIM6_BASETYPE, and C_PIM7_BASETYPE must all be 0.
5. Valid when using MIG-based Virtex-4/Virtex-5 DDR/DDR2 PHY.
6. Memory calibration simulation times vary based on C_MEM_WIDTH and C_FAMILY and assume C_SKIP_SIM_INIT_DELAY = 1:
Virtex4 DDR = 90us
Virtex4 DDR2 = 50us
Virtex5 DDR = 1400us
Virtex5 DDR2 = 100us
7. Valid only if the Performance Monitors (PM), Error Correction Code (ECC), Debug registers, or Static PHY feature is enabled.
8. C_PIM<Port_Num>_HIGHADDR+C_PIM<Port_Num>_OFFSET represents the high physical memory address that the corresponding port is allowed to access.
9. Not supported on Spartan-6.
10. Spartan-6 only.
11. Virtex-6 only.
12. Spartan-3, Virtex-4, and Virtex-5 only.

Table 3: System Parameters (Cont'd)

Parameter Name	Default Value	Allowable Values	Description
C_USE_STATIC_PHY ⁽¹²⁾	0	0,1	Enables or disables a software controlled interface for the physical layer calibration (Static PHY): 0 = Static PHY Disabled. 1 = Static PHY Enabled. Static PHY is automatically enabled when C_MEM_TYPE = SDRAM.
C_WR_DATAPATH_TML_PIPELINE ^(9, 12)	1	0,1	Enables or disables the Write Data Path Timing Management: 0 = Write Data Path Timing Management Logic Pipeline Disabled. 1 = Write Data Path Timing Management Logic Pipeline Enabled.
C_WR_TRAINING_PORT ⁽⁵⁾	0	0-7	Specifies the port where the Write FIFO is used for memory initialization. This value is an automatically calculated parameter that can be overwritten. If the parameter is set by the user, it is not calculated.

- When C_ALL_PIMS_SHARE_ADDRESSES is set to 1, C_MPMC_BASEADDR is used for all ports for memory access addressing and C_SDMA_CTRL_BASEADDR is used for all SDMA PIMs (if applicable).
If set to 0, the C_PIMx_BASEADDR, and C_SDMA_CTRLx_BASEADDR parameters are used.
- Valid if C_PM_ENABLE is set to 1.
- Valid when using Static PHY (C_USE_STATIC_PHY = 1).
- C_PIM<Port_Num>_BASETYPE must be set to 0 for unused ports that are outside the number active ports specified by C_NUM_PORTS.
For example, if C_NUM_PORTS = 4, then C_PIM4_BASETYPE, C_PIM5_BASETYPE, C_PIM6_BASETYPE, and C_PIM7_BASETYPE must all be 0.
- Valid when using MIG-based Virtex-4/Virtex-5 DDR/DDR2 PHY.
- Memory calibration simulation times vary based on C_MEM_WIDTH and C_FAMILY and assume C_SKIP_SIM_INIT_DELAY = 1:
Virtex4 DDR = 90us
Virtex4 DDR2 = 50us
Virtex5 DDR = 1400us
Virtex5 DDR2 = 100us
- Valid only if the Performance Monitors (PM), Error Correction Code (ECC), Debug registers, or Static PHY feature is enabled.
- C_PIM<Port_Num>_HIGHADDR+C_PIM<Port_Num>_OFFSET represents the high physical memory address that the corresponding port is allowed to access.
- Not supported on Spartan-6.
- Spartan-6 only.
- Virtex-6 only.
- Spartan-3, Virtex-4, and Virtex-5 only.

Memory and Memory Part Parameters

Table 4 lists the memory and memory part parameters.

Table 4: Memory and Memory Part Parameters

Parameter Name	Default Value	Allowable Values	Description
C_IDELAY_CLK_FREQ ⁽¹⁴⁾	DEFAULT	DEFAULT, 200.0, 300.0	IDELAY clock frequency.
C_MCB_LDQSN_TAP_DELAY_VAL ⁽¹³⁾	16	0-255	Manual tap delay setting when calibration is bypassed.
C_MCB_LDQSP_TAP_DELAY_VAL ⁽¹³⁾	16	0-255	Manual tap delay setting when calibration is bypassed.
C_MCB_UDQSP_TAP_DELAY_VAL ⁽¹³⁾	16	0-255	Manual tap delay setting when calibration is bypassed.
C_MCB_UDQSN_TAP_DELAY_VAL ⁽¹³⁾	16	0-255	Manual tap delay setting when calibration is bypassed.
C_MCB_DQ#<0-15>_TAP_DELAY_VAL ⁽¹³⁾	0	0-255	Manual tap delay setting when calibration is bypassed.
C_MEM_ADDR_WIDTH	13	1-20	Number of external address pins.
C_MEM_AUTO_SR ^(9,11)	ENABLED	ENABLED, MANUAL	Auto self refresh. Set if high temp should be handled manually or automatically.
C_MEM_BANKADDR_WIDTH	2	1-4	Number of external bank address pins.
C_MEM_BITS_DATA_PER_DQS	8	8	Number of data bits per DQS bit.
C_MEM_CALIBRATION_BYPASS ⁽¹³⁾	NO	YES, NO	Calibration Bypass. YES = Bypass calibration NO = Do not bypass calibration
C_MEM_CALIBRATION_DELAY ⁽¹³⁾	HALF	QUARTER, FULL, HALF, THREEQUARTER	Calibration Delay.
C_MEM_CALIBRATION_MODE ⁽¹³⁾	1	0,1	Calibration Mode. 1 = Calibration 0 = No Calibration
C_MEM_CAS_LATENCY ⁽⁵⁾	0	0–9	Auto-calculated memory CAS latency based on clock speed.
C_MEM_CAS_WR_LATENCY ^(5,11,12)	5	5-8	DDR3 CAS write latency.

Notes:

- These values are auto-updated from the IP Configuration database if C_MEM_PARTNO is set to a part number from the database. If set to CUSTOM, the values must be filled in according to the memory parameters provided by the manufacturer. Used for Spartan3, Virtex-4, and Virtex-5 families. The database is a Comma Separated Value (CSV) file located at <MPMC core location>/data/mpmc_memory_database.csv. For Spartan-6, Virtex-6, the database is obtained from MIG and contains only approved memories for each architecture. Spartan-6 does not support CUSTOM memory parts.
- DDR Parameter
- DDR2 Parameter
- CAS latencies/Fmax pairs should be arranged from Lowest CAS Latency and Slowest Frequency to Highest CAS Latency and Fastest frequency for pairs A-D
- Non-user, auto-calculated value
- Valid if C_INCLUDE_ECC_SUPPORT is enabled
- The use of Multi-Rank designs is strongly discouraged
See "Important Notes on MIG Board Compatibility," page 113 for more information.
- SDMA supports all configurations on Spartan-6 and Virtex-6. All other architectures support the following configurations only:
 - 32- and 64-bit for DDR
 - 64-bit for SDRAM
- Spartan-6 only
- Virtex-6 only
- DDR3 only
- Not used for Spartan-6
- Reserved. Low-level parameter for underlying Spartan-6 MCB. This setting should not be changed
- Reserved. Low-level parameter for underlying Virtex-6 MIG PHY. This setting should not be changed
- Parameter is set automatically when C_USE_MIG_FLOW = 1

Table 4: Memory and Memory Part Parameters (Cont'd)

Parameter Name	Default Value	Allowable Values	Description
C_MEM_CE_WIDTH ⁽¹²⁾	1	1-16	Number of external chip-enable pins. This value is an automatically calculated parameter that can be overwritten; if set by the user, it is not calculated.
C_MEM_CLK_WIDTH ⁽¹²⁾	1	1-16	Number of external clock pins. This value is an automatically calculated parameter that can be overwritten; if set by the user, it is not calculated.
C_MEM_CS_N_WIDTH ⁽¹²⁾	1	1-16	Number of external chip-select pins. This value is an automatically calculated parameter that can be overwritten; if set by the user, it is not calculated. This must be set to an integer multiple of C_NUM_RANKS * C_NUM_DIMMS.
C_MEM_DATA_WIDTH ⁽⁸⁾	64	4 ⁽⁹⁾ ,8,16,32,64	Number of external data pins.
C_MEM_DM_WIDTH	8	1,2,4,8	Number of external data mask pins.
C_MEM_DQS_WIDTH ^(2,3,11)	8	1,2,4,8	Number of external DQS pins.
C_MEM_DQS_IO_COL	x	any 18-bit value	Used with older MIG versions. A DRC error occurs if this parameter is set by the user. See "Memory Interface Generator PHY Interface," page 102 for more information if migrating from an older MPMC/MIG version.
C_MEM_DQ_IO_MS	0x000000000000 00000000	any 72-bit value	Used with older MIG versions. A DRC error occurs if this parameter is set by the user. See "Memory Interface Generator PHY Interface," page 102 for more information if migrating from an older MPMC/MIG version.
C_MEM_CHECK_MAX_INDELAY ⁽¹³⁾	0	0,1	Enable checking of maximum input delay.
C_MEM_CHECK_MAX_TAP_REG ⁽¹³⁾	0	0,1	Enable checking of maximum tap delay.
C_MEM_IBUF_LPWR_MODE ⁽¹⁴⁾	DEFAULT	DEFAULT, ON, OFF	IBUF low power mode.
C_MEM_IODELAY_HP_MODE ⁽¹⁴⁾	DEFAULT	DEFAULT, ON, OFF	IODELAY high performance mode.
C_MEM_OCB_MONITOR ⁽¹⁴⁾	DEFAULT	DEFAULT, ON, OFF	OCB Monitor enable.

Notes:

- These values are auto-updated from the IP Configuration database if C_MEM_PARTNO is set to a part number from the database. If set to CUSTOM, the values must be filled in according to the memory parameters provided by the manufacturer. Used for Spartan3, Virtex-4, and Virtex-5 families. The database is a Comma Separated Value (CSV) file located at <MPMC core location>/data/mpmc_memory_database.csv. For Spartan-6, Virtex-6, the database is obtained from MIG and contains only approved memories for each architecture. Spartan-6 does not support CUSTOM memory parts.
- DDR Parameter
- DDR2 Parameter
- CAS latencies/Fmax pairs should be arranged from Lowest CAS Latency and Slowest Frequency to Highest CAS Latency and Fastest frequency for pairs A-D
- Non-user, auto-calculated value
- Valid if C_INCLUDE_ECC_SUPPORT is enabled
- The use of Multi-Rank designs is strongly discouraged
See "Important Notes on MIG Board Compatibility," page 113 for more information.
- SDMA supports all configurations on Spartan-6 and Virtex-6. All other architectures support the following configurations only:
 - 32- and 64-bit for DDR
 - 64-bit for SDRAM
- Spartan-6 only
- Virtex-6 only
- DDR3 only
- Not used for Spartan-6
- Reserved. Low-level parameter for underlying Spartan-6 MCB. This setting should not be changed
- Reserved. Low-level parameter for underlying Virtex-6 MIG PHY. This setting should not be changed
- Parameter is set automatically when C_USE_MIG_FLOW = 1

Table 4: Memory and Memory Part Parameters (Cont'd)

Parameter Name	Default Value	Allowable Values	Description
C_MEM_PHASE_DETECT ⁽¹⁴⁾	DEFAULT	DEFAULT, ON, OFF	Phase Detector enable.
C_MEM_SIM_INIT_OPTION ⁽¹⁴⁾	DEFAULT	DEFAULT, SKIP_INIT, SKIP_PU_DELAY, NONE	Simulation skip initialization option.
C_MEM_SIM_CAL_OPTION ⁽¹⁴⁾	DEFAULT	DEFAULT, SKIP_CAL, FAST_CAL, FAST_WIN_DETECT, NONE	Simulation calibration option.
C_MEM_CAL_WIDTH ⁽¹⁴⁾	DEFAULT	DEFAULT, FULL, HALF	Calibration width.
C_MEM_DQS_LOC_COL0 ^(10,15)	0	Hex number up 144 bits	DQS groups in column #1 - obtain value from MIG tool.
C_MEM_DQS_LOC_COL1 ^(10,15)	0	Hex number up 144 bits	DQS groups in column #2 - obtain value from MIG tool.
C_MEM_DQS_LOC_COL2 ^(10,15)	0	Hex number up 144 bits	DQS groups obtain value from MIG tool.
C_MEM_DQS_LOC_COL3 ^(10,15)	0	Hex number up 144 bits	DQS groups obtain value from MIG tool.
C_MEM_DYNAMIC_WRITE_ODT ^(9,12)	OFF	OFF, DIV2, DIV4	Setting for Dynamic Write On-Die Termination.
C_MEM_HIGH_TEMP_SR ⁽⁹⁾	NORMAL	NORMAL, EXTENDED	High Temperature Self Refresh. Higher refresh rate is needed when 85 degrees is exceeded.
C_MEM_INCDEC_THRESHOLD ⁽¹³⁾	2	0-255	MCB Increment/decrement threshold.
C_MEM_NDQS_COL0 ^(10,15)	0	0-18	Number of DQS groups in I/O column obtain value from MIG tool.
C_MEM_NDQS_COL1 ^(10,15)	0	0-18	Number of DQS groups in I/O column obtain value from MIG tool.
C_MEM_NDQS_COL2 ^(10,15)	0	0-18	Number of DQS groups in I/O column obtain value from MIG tool.
C_MEM_NDQS_COL3 ^(10,15)	0	0-18	Number of DQS groups in I/O column obtain value from MIG tool.
C_MEM_NUM_DIMMS	1	1	Number of DIMMs. Set to 1 if not using a DIMM. Multiple DIMMS are not supported.

Notes:

- These values are auto-updated from the IP Configuration database if C_MEM_PARTNO is set to a part number from the database. If set to CUSTOM, the values must be filled in according to the memory parameters provided by the manufacturer. Used for Spartan3, Virtex-4, and Virtex-5 families. The database is a Comma Separated Value (CSV) file located at <MPMC core location>/data/mpmc_memory_database.csv. For Spartan-6, Virtex-6, the database is obtained from MIG and contains only approved memories for each architecture. Spartan-6 does not support CUSTOM memory parts.
- DDR Parameter
- DDR2 Parameter
- CAS latencies/Fmax pairs should be arranged from Lowest CAS Latency and Slowest Frequency to Highest CAS Latency and Fastest frequency for pairs A-D
- Non-user, auto-calculated value
- Valid if C_INCLUDE_ECC_SUPPORT is enabled
- The use of Multi-Rank designs is strongly discouraged
See "Important Notes on MIG Board Compatibility," page 113 for more information.
- SDMA supports all configurations on Spartan-6 and Virtex-6. All other architectures support the following configurations only:
 - 32- and 64-bit for DDR
 - 64-bit for SDRAM
- Spartan-6 only
- Virtex-6 only
- DDR3 only
- Not used for Spartan-6
- Reserved. Low-level parameter for underlying Spartan-6 MCB. This setting should not be changed
- Reserved. Low-level parameter for underlying Virtex-6 MIG PHY. This setting should not be changed
- Parameter is set automatically when C_USE_MIG_FLOW = 1

Table 4: Memory and Memory Part Parameters (Cont'd)

Parameter Name	Default Value	Allowable Values	Description
C_MEM_NUM_RANKS ^(7, 12)	1	1-2	Number of ranks per DIMM. A value of 2 is not recommended. Virtex-6 supports a value of 1 only.
C_MEM_ODT_TYPE	0	0- 5	On-Die Termination Setting (DDR2/DDR3 only): DDR2 Memory: 0 = Disabled 1 = 75 Ohms 2 = 150 Ohms 3 = 50 Ohms 4-5 = Reserved DDR3 Memory: 0 = Disabled 1 = RZQ/4 (60 Ohm) 2 = RZQ/2 (120 Ohm) 3 = RZQ/6 (40 Ohm) 4 = RZQ/12 (20 Ohm) 5 = RZQ/8 (30 Ohm)
C_MEM_ODT_WIDTH ^(3, 11,12)	1	1-16	Number of external ODT Pins. This value is an automatically calculated parameter that can be overwritten; if set by the user, it is not calculated. This must be set to an integer multiple of C_NUM_RANKS * C_NUM_DIMMS.
C_MEM_PA_SR ⁽⁹⁾	0	0,1	Partial Array Self Refresh (DDR2, DDR3, LPDDR only.) 0 = Full 1 = Half
C_MEM_PARTNO ⁽¹⁾	NONE	Database Part Number, Example: "mt4htf3264h-53e", CUSTOM	Specifies the memory part number from database or CUSTOM. The CUSTOM value is not supported for Spartan-6.
C_MEM_PART_CAS_A ^(1,4)	x	Any Integer	Memory CAS latency to be used up to a maximum memory frequency specified with C_MEM_PART_CAS_A_FMAX.

Notes:

- These values are auto-updated from the IP Configuration database if C_MEM_PARTNO is set to a part number from the database. If set to CUSTOM, the values must be filled in according to the memory parameters provided by the manufacturer. Used for Spartan3, Virtex-4, and Virtex-5 families. The database is a Comma Separated Value (CSV) file located at <MPMC core location>/data/mpmc_memory_database.csv. For Spartan-6, Virtex-6, the database is obtained from MIG and contains only approved memories for each architecture. Spartan-6 does not support CUSTOM memory parts.
- DDR Parameter
- DDR2 Parameter
- CAS latencies/Fmax pairs should be arranged from Lowest CAS Latency and Slowest Frequency to Highest CAS Latency and Fastest frequency for pairs A-D
- Non-user, auto-calculated value
- Valid if C_INCLUDE_ECC_SUPPORT is enabled
- The use of Multi-Rank designs is strongly discouraged
See "Important Notes on MIG Board Compatibility," page 113 for more information.
- SDMA supports all configurations on Spartan-6 and Virtex-6. All other architectures support the following configurations only:
 - 32- and 64-bit for DDR
 - 64-bit for SDRAM
- Spartan-6 only
- Virtex-6 only
- DDR3 only
- Not used for Spartan-6
- Reserved. Low-level parameter for underlying Spartan-6 MCB. This setting should not be changed
- Reserved. Low-level parameter for underlying Virtex-6 MIG PHY. This setting should not be changed
- Parameter is set automatically when C_USE_MIG_FLOW = 1

Table 4: Memory and Memory Part Parameters (Cont'd)

Parameter Name	Default Value	Allowable Values	Description
C_MEM_PART_CAS_A_FMAX ^(1,4)	x	Any Integer	Maximum memory frequency of C_MEM_PART_CAS_A. Must be equal or less than C_MEM_PART_CAS_B/C/D.
C_MEM_PART_CAS_B ^(1,4)	x	Any Integer	Memory CAS latency to be used up to a maximum memory frequency specified with C_MEM_PART_CAS_B_FMAX.
C_MEM_PART_CAS_B_FMAX ^(1,4)	x	Any Integer	Maximum memory frequency of C_MEM_PART_CAS_B. Must be equal or less than C_MEM_PART_CAS_C/D.
C_MEM_PART_CAS_C ^(1,4)	x	Any Integer	Memory CAS latency to be used up to a maximum memory frequency specified with C_MEM_PART_CAS_C_FMAX.
C_MEM_PART_CAS_C_FMAX ^(1,4)	x	Any Integer	Maximum memory frequency of C_MEM_PART_CAS_C. Must be equal or less than C_MEM_PART_CAS_D.
C_MEM_PART_CAS_D ^(1,4)	x	Any Integer	Memory CAS latency to be used up to a maximum memory frequency specified with C_MEM_PART_CAS_D_FMAX (if applicable).
C_MEM_PART_CAS_D_FMAX ^(1,4)	x	Any Integer	Maximum memory frequency of C_MEM_PART_CAS_D.
C_MEM_PART_DATA_DEPTH ^(1,8)	16	1, 2, 4, 8, 16, 32, 128, 256, 512, 1024	Discrete memory part data depth in megabits. This parameter currently not used and is reserved for future use.
C_MEM_PART_DATA_WIDTH ⁽¹⁾	16	4, 8, 16, 32, 64	Discrete memory part data width. Only Spartan-6 supports a value of 4.
C_MEM_PART_NUM_BANK_BITS ⁽¹⁾	2	1–4	Number of bank bits on memory part.
C_MEM_PART_NUM_COL_BITS ⁽¹⁾	9	1–20	Number of column bits on memory part.
C_MEM_PART_NUM_ROW_BITS ⁽¹⁾	13	1–20	Number of row bits on memory part.
C_MEM_PART_TRAS ⁽¹⁾	x	Any Integer	tRAS - Minimum ACTIVE-to-PRECHARGE command (ps).

Notes:

- These values are auto-updated from the IP Configuration database if C_MEM_PARTNO is set to a part number from the database. If set to CUSTOM, the values must be filled in according to the memory parameters provided by the manufacturer. Used for Spartan3, Virtex-4, and Virtex-5 families. The database is a Comma Separated Value (CSV) file located at <MPMC core location>/data/mpmc_memory_database.csv. For Spartan-6, Virtex-6, the database is obtained from MIG and contains only approved memories for each architecture. Spartan-6 does not support CUSTOM memory parts.
- DDR Parameter
- DDR2 Parameter
- CAS latencies/Fmax pairs should be arranged from Lowest CAS Latency and Slowest Frequency to Highest CAS Latency and Fastest frequency for pairs A-D
- Non-user, auto-calculated value
- Valid if C_INCLUDE_ECC_SUPPORT is enabled
- The use of Multi-Rank designs is strongly discouraged
See "Important Notes on MIG Board Compatibility," page 113 for more information.
- SDMA supports all configurations on Spartan-6 and Virtex-6. All other architectures support the following configurations only:
 - 32- and 64-bit for DDR
 - 64-bit for SDRAM
- Spartan-6 only
- Virtex-6 only
- DDR3 only
- Not used for Spartan-6
- Reserved. Low-level parameter for underlying Spartan-6 MCB. This setting should not be changed
- Reserved. Low-level parameter for underlying Virtex-6 MIG PHY. This setting should not be changed
- Parameter is set automatically when C_USE_MIG_FLOW = 1

Table 4: Memory and Memory Part Parameters (Cont'd)

Parameter Name	Default Value	Allowable Values	Description
C_MEM_PART_TRASMAX ⁽¹⁾	x	Any Integer	tRAS - Maximum ACTIVE-to-PRECHARGE command (ps).
C_MEM_PART_TRC ⁽¹⁾	x	Any Integer	tRC - Minimum ACTIVE-to-ACTIVE (same bank) command (ps).
C_MEM_PART_TRCD ⁽¹⁾	x	Any Integer	tRCD - Minimum ACTIVE-to-READ or WRITE delay (ps).
C_MEM_PART_TDQSS ^(1,2)	1	1	tDQSS - Positive DQS latching edge to associated clock edge (tCK). This value should be (maximum value - minimum value) rounded up to the nearest integer.
C_MEM_PART_TRP ⁽¹⁾	x	Any Integer	tRP - Minimum PRECHARGE command period (ps).
C_MEM_PART_TMRD ⁽¹⁾	x	Any Integer	tMRD - Minimum LOAD MODE command cycle time (tCK). (Deprecated)
C_MEM_PART_TRRD ⁽¹⁾	x	Any Integer	tRRD - Minimum ACTIVE bank a to ACTIVE bank b command (ps).
C_MEM_PART_TWR ⁽¹⁾	x	Any Integer	tWR - Minimum write recover time (ps).
C_MEM_PART_TRFC ⁽¹⁾	x	Any Integer	tRFC - Minimum REFRESH to ACTIVE or REFRESH to REFRESH command interval (ps).
C_MEM_PART_TREFI ⁽¹⁾	x	Any Integer	tREFI - Maximum average periodic REFRESH interval (ps).
C_MEM_PART_TAL ^(1,3)	0	0	tAL - Additive Latency desired (tCK).
C_MEM_PART_TCCD ^(1,3)	x	Any Integer	tCCD - Minimum CAS# to CAS# command delay (tCK).
C_MEM_PART_TWTR ^(1,3)	x	Any Integer	tWTR - Minimum internal WRITE-to-READ command delay (ps).
C_MEM_PART_TRTP ^(1,3)	7500	7500	tRTP - Minimum internal READ to PRECHARGE command delay (ps).
C_MEM_PART_TZQINIT ⁽¹¹⁾	0	Any Integer	tZQINIT - ZQCL command: Long calibration time for power-up or reset (tCK)

Notes:

- These values are auto-updated from the IP Configuration database if C_MEM_PARTNO is set to a part number from the database. If set to CUSTOM, the values must be filled in according to the memory parameters provided by the manufacturer. Used for Spartan3, Virtex-4, and Virtex-5 families. The database is a Comma Separated Value (CSV) file located at <MPMC pcore location>/data/mpmc_memory_database.csv. For Spartan-6, Virtex-6, the database is obtained from MIG and contains only approved memories for each architecture. Spartan-6 does not support CUSTOM memory parts.
- DDR Parameter
- DDR2 Parameter
- CAS latencies/Fmax pairs should be arranged from Lowest CAS Latency and Slowest Frequency to Highest CAS Latency and Fastest frequency for pairs A-D
- Non-user, auto-calculated value
- Valid if C_INCLUDE_ECC_SUPPORT is enabled
- The use of Multi-Rank designs is strongly discouraged
See "Important Notes on MIG Board Compatibility," page 113 for more information.
- SDMA supports all configurations on Spartan-6 and Virtex-6. All other architectures support the following configurations only:
 - 32- and 64-bit for DDR
 - 64-bit for SDRAM
- Spartan-6 only
- Virtex-6 only
- DDR3 only
- Not used for Spartan-6
- Reserved. Low-level parameter for underlying Spartan-6 MCB. This setting should not be changed
- Reserved. Low-level parameter for underlying Virtex-6 MIG PHY. This setting should not be changed
- Parameter is set automatically when C_USE_MIG_FLOW = 1

Table 4: Memory and Memory Part Parameters (Cont'd)

Parameter Name	Default Value	Allowable Values	Description
C_MEM_PART_TZQCS ⁽¹¹⁾	0	Any Integer	tZQCS - ZQCS command: Short calibration time (tCK)
C_MEM_REDUCED_DRV	0	0-3	Reduced drive output enable. (DDR/DDR2/DDR3/LPDDR) only. LPDDR Memory: 0 = Full 1 = Half 2 = Quarter 3 = Three Quarters DDR/DDR2 Memory: 0 = Full 1 = Reduced 2-3 = Reserved DDR3 Memory (Spartan-6): 0 = RZQ/6 1 = RZQ/7 2-3 = Reserved DDR3 Memory (Virtex-6 only): 0 = RZQ/7 1 = RZQ/6 2-3 = Reserved
C_MEM_REG_DIMM ⁽¹²⁾	0	0,1	DIMM is registered.
C_MEM_SKIP_DYNAMIC_CAL (9)	1	0,1	0 = Perform dynamic calibration (Strongly recommended for Production silicon). Requires ZIO I/O pin. 1 = Skip dynamic calibration.
C_MEM_SKIP_IN_TERM_CAL (9)	1	0,1	0 = Perform input termination calibration, Requires ZIO I/O pin. 1 = Skip input termination calibration. (LPDDR designs should use this setting.)
C_MEM_SKIP_DYN_IN_TERM ⁽¹³⁾	1	0,1	0 = Perform dynamic input termination. 1 = Do not perform.
C_MEM_TYPE	DDR2	DDR, DDR2, DDR3, LPDDR, SDRAM	Memory architecture type. Available memory types are limited by device architecture.

Notes:

- These values are auto-updated from the IP Configuration database if C_MEM_PARTNO is set to a part number from the database. If set to CUSTOM, the values must be filled in according to the memory parameters provided by the manufacturer. Used for Spartan3, Virtex-4, and Virtex-5 families. The database is a Comma Separated Value (CSV) file located at <MPMC pcore location>/data/mpmc_memory_database.csv. For Spartan-6, Virtex-6, the database is obtained from MIG and contains only approved memories for each architecture. Spartan-6 does not support CUSTOM memory parts.
- DDR Parameter
- DDR2 Parameter
- CAS latencies/Fmax pairs should be arranged from Lowest CAS Latency and Slowest Frequency to Highest CAS Latency and Fastest frequency for pairs A-D
- Non-user, auto-calculated value
- Valid if C_INCLUDE_ECC_SUPPORT is enabled
- The use of Multi-Rank designs is strongly discouraged
 See "Important Notes on MIG Board Compatibility," page 113 for more information.
- SDMA supports all configurations on Spartan-6 and Virtex-6. All other architectures support the following configurations only:
 - 32- and 64-bit for DDR
 - 64-bit for SDRAM
- Spartan-6 only
- Virtex-6 only
- DDR3 only
- Not used for Spartan-6
- Reserved. Low-level parameter for underlying Spartan-6 MCB. This setting should not be changed
- Reserved. Low-level parameter for underlying Virtex-6 MIG PHY. This setting should not be changed
- Parameter is set automatically when C_USE_MIG_FLOW = 1

Table 4: Memory and Memory Part Parameters (Cont'd)

Parameter Name	Default Value	Allowable Values	Description
C_MEM_TZQINIT_MAXCNT ⁽¹³⁾	512	Integer	Maximum count value for TZQINIT.
C_MEM_WRLVL ⁽¹⁴⁾	1	0,1	0 = Do not perform write leveling, 1 = Perform write leveling.
C_MMCM_EXT_LOC(10,15)	NOT_SET	Valid MMCM_ADV location constraint	This parameter is passed to clock generator v3.02a or greater to generate a location constraint for the external MMCM_ADV primitive driving the MPMC Memory clocks.
C_MPMC_CLK0_PERIOD_PS	10000	1-1000000	MPMC_CLK0 Period (ps). This value is automatically calculated based on what is connected to Port MPMC_Clk0 in XPS (for example a clock_generator output or a signal/port with MHS tag CLK_FREQ = xxxx). The value can be overwritten; if set by the user, it is not calculated.
C_MPMC_CLK_MEM_PERIOD_PS	1	1250-6250	MPMC_CLK_MEM period (ps). This value is automatically calculated based on what is connected to Port MPMC_Clk_Mem in XPS (for example a clock_generator output or a signal/port with MHS tag CLK_FREQ = xxxx). The value can be overwritten; if set by the user, it is not calculated.
C_MPMC_CLK_MEM_2X_PERIOD_PS ⁽⁹⁾	1	1-1000000	MPMC_CLK_MEM_2X period (ps). This value is automatically calculated based on what is connected to Port MPMC_Clk_Mem_2x in XPS (for example a clock_generator output or a signal/port with MHS tag CLK_FREQ = xxxx). The value can be overwritten; if set by the user, it is not calculated.

Notes:

- These values are auto-updated from the IP Configuration database if C_MEM_PARTNO is set to a part number from the database. If set to CUSTOM, the values must be filled in according to the memory parameters provided by the manufacturer. Used for Spartan3, Virtex-4, and Virtex-5 families. The database is a Comma Separated Value (CSV) file located at <MPMC core location>/data/mpmc_memory_database.csv. For Spartan-6, Virtex-6, the database is obtained from MIG and contains only approved memories for each architecture. Spartan-6 does not support CUSTOM memory parts.
- DDR Parameter
- DDR2 Parameter
- CAS latencies/Fmax pairs should be arranged from Lowest CAS Latency and Slowest Frequency to Highest CAS Latency and Fastest frequency for pairs A-D
- Non-user, auto-calculated value
- Valid if C_INCLUDE_ECC_SUPPORT is enabled
- The use of Multi-Rank designs is strongly discouraged
See "Important Notes on MIG Board Compatibility," page 113 for more information.
- SDMA supports all configurations on Spartan-6 and Virtex-6. All other architectures support the following configurations only:
 - 32- and 64-bit for DDR
 - 64-bit for SDRAM
- Spartan-6 only
- Virtex-6 only
- DDR3 only
- Not used for Spartan-6
- Reserved. Low-level parameter for underlying Spartan-6 MCB. This setting should not be changed
- Reserved. Low-level parameter for underlying Virtex-6 MIG PHY. This setting should not be changed
- Parameter is set automatically when C_USE_MIG_FLOW = 1

Additional Memory Part Parameters

Table 5 lists additional memory part parameters.

Table 5: Additional Memory Part Parameters

Parameter Name	Default Value	Allowable Values	Description
C_DDR2_DQSN_ENABLE ⁽³⁾	1	0,1	Enables differential DQS (DDR2 Only). Must be set to 0 when C_FAMILY = "spartan3". (Can be set to 1 for other Spartan3x families such as spartan3a, spartan3an, spartan3adsp, spartan3e) Must be set to 1 when using MIG-based Virtex-5 DDR2 PHY.
C_ECC_DATA_WIDTH ^(5,6)	0	0, 3-8	ECC Data Width (in Bits).
C_ECC_DEC_THRESHOLD ⁽⁶⁾	1	0-4095	Double-bit data error interrupt threshold counter value.
C_ECC_DEFAULT_ON ⁽⁶⁾	1	0,1	Enables ECC enable register at RST:
C_ECC_DM_WIDTH ^(5,6)	0	0,1	ECC DM width.
C_ECC_DQS_WIDTH ^(5,6)	0	0,1	ECC DQS width.
C_INCLUDE_ECC_SUPPORT	0	0,1	Enables ECC logic. ECC control registers are accessible from MPMC_CTRL interface when enabled. Not supported on Virtex-6 or Spartan-6 families.
C_INCLUDE_ECC_TEST ⁽⁶⁾	0	0,1	Enable or disable ECC test functionality and registers: 1 = Enable ECC test functionality/registers. 0 = No ECC test functionality (saves area).
C_ECC_PEC_THRESHOLD ⁽⁶⁾	1	0-4095	Specifies the parity-bit data error interrupt threshold counter value.
C_ECC_SEC_THRESHOLD ⁽⁶⁾	1	0-4095	Single-bit data error interrupt threshold counter value.

Notes:

1. These values are auto-updated from the IP Configurator database if C_MEM_PARTNO is set to a part number from the database. If set to CUSTOM, the values must be filled in according to the memory parameters provided by the manufacturer. Unlisted parts can be requested for future versions by opening a Xilinx support WebCase and attaching the new memory data sheet. The database is a Comma Separated Value (CSV) file located at *<MPMC core location>/data/mpmc_memory_database.csv*.
2. DDR Parameter.
3. DDR2 Parameter.
4. CAS latencies/Fmax pairs should be arranged from Lowest CAS Latency and Slowest Frequency to Highest CAS Latency and Fastest frequency for pairs A-D.
5. Non-user, auto-calculated value.
6. Valid if C_INCLUDE_ECC_SUPPORT is enabled.

Per-Port Parameters

Table 6 lists the per-port parameters.

Table 6: Per-port Parameters

I/O Signal Name	Default Value	Allowable Values	Description
C_PIM<Port_Num>_BASETYPE ⁽⁴⁾	2 (Port 0) 0 (Ports 1-7)	0 - 9	0 = INACTIVE 1 = XCL 2 = PLB v4.6 3 = SDMA 4 = NPI 5 = PPC440MC 6 = VFBC 7 = MCB (Bidirectional) 8 = MCB (Unidirectional, Read Only) 9 = MCB (Unidirectional, Write Only)
C_PIM<Port_Num>_SUBTYPE	x	DXCL, DXCL2, IXCL, IXCL2, XCL, IPLB, DPLB, PLB, SDMA, NPI, PPC440MC, VFBC, MCB, INACTIVE	Specific Port Interface Type. MPMC GUI sets the value automatically and places the correct parameter in the MHS file. This value is an automatically calculated parameter that can be overwritten; if set by user, it is not auto-calculated.
C_PIM<Port_Num>_B_SUBTYPE ⁽⁹⁾	x	DXCL, DXCL2, IXCL, IXCL2, XCL	Specific Port Interface Type. MPMC GUI sets the value automatically and places the correct parameter in the MHS file. This value is an automatically calculated parameter that can be overwritten; if set by user, it is not auto-calculated.
C_PIM<Port_Num>_BASEADDR ^(1,7)	0xFFFFFFFF	Valid Address	PIM Base Address.
C_PIM<Port_Num>_HIGHADDR ^(1,8)	0x00000000	Valid Address	PIM High Address. MPMC supports a maximum of 2 gigabytes of memory.
C_PIM<Port_Num>_OFFSET ⁽¹⁾	0x00000000	Valid Address	PIM Offset Address.
C_PI<Port_Num>_RD_FIFO_TYPE ⁽¹²⁾	BRAM	BRAM, SRL, DISABLED	Read Data Path FIFO type.
C_PI<Port_Num>_WR_FIFO_TYPE ^(6, 12)	BRAM	BRAM, SRL, DISABLED	Write Data Path FIFO type.
C_PI<Port_Num>_ADDRACK_PIPELINE ^(3, 10)	1	0,1	AddrAck Pipeline enable.
C_PI<Port_Num>_RD_FIFO_APP_PIPELINE ⁽¹⁰⁾	1	0,1	Read FIFO Port Side pipeline.
C_PI<Port_Num>_RD_FIFO_MEM_PIPELINE ^(4,10)	1	0,1	Read FIFO Memory Side pipeline.
C_PI<Port_Num>_WR_FIFO_APP_PIPELINE ⁽¹⁰⁾	1	0,1	Write FIFO Port Side pipeline.
C_PI<Port_Num>_WR_FIFO_MEM_PIPELINE ^(5,10)	1	0,1	Write FIFO Memory Side pipeline.

Table 6: Per-port Parameters (Cont'd)

I/O Signal Name	Default Value	Allowable Values	Description
C_PI<Port_Num>_PM_USED (2,3, 10)	1	0,1	Enable Performance Monitor.
C_PI<Port_Num>_PM_DC_CNTR (2, 10)	1	0,1	Enable Dead Cycle Counter.

Notes:

- Only valid if C_PIM_BASETYPE is not 4 (NPI) and C_ALL_PIMS_USE_SHARED_ADDRESSES is 0.
- Only valid if C_PM_ENABLE = 1.
- If C_PM<Port_Num>_PM_USED is set to 1, then C_PI<Port_Num>_ADDRACK_PIPELINE must be set to 1 to monitor correctly.
- C_PI<Port_Num>_RD_FIFO_MEM_PIPELINE settings must all be the same from port 0 to port <C_NUM_PORTS-1>. For example, on a four port design ports 0 to 3 must have the same C_PI<Port_Num>_RD_FIFO_MEM_PIPELINE settings.
- C_PI<Port_Num>_WR_FIFO_MEM_PIPELINE settings must all be the same from port 0 to port <C_NUM_PORTS-1>. For example, on a four port design ports 0 to 3 must have the same C_PI<Port_Num>_WR_FIFO_MEM_PIPELINE settings.
- Write FIFOs are automatically disabled in an MPMC port that is an IXCL or IPLB subtype. There is no need to manually disable write FIFOs in an IXCL or IPLB configured port.
- C_PIM<Port_Num>_BASEADDR+C_PIM<Port_Num>_OFFSET represents the base physical memory address that the corresponding port is allowed to access. For example, if C_PIM<Port_Num>_OFFSET is 0x00000000, C_PIM<Port_Num>_BASEADDR represents the physical address of memory. If your total memory size is 0x03FFFFFF, a C_PIM<Port_Num>_BASEADDR value of 0x00000000 goes to physical address 0x00000000. A value of 0x01000000 goes to physical address 0x01000000. A value of 0x04000000 goes to physical address 0x00000000. If you increase the C_PIM<Port_Num>_OFFSET to 0x02000000, a C_PIM<Port_Num>_BASEADDR value of 0x00000000 goes to physical address 0x02000000. A value of 0x01000000 goes to physical address 0x03000000. A value of 0x04000000 goes to physical address 0x02000000.
- C_PIM<Port_Num>_HIGHADDR+C_PIM<Port_Num>_OFFSET represents the high physical memory address that the corresponding port is allowed to access.
- Used only for XCL<Port_Num>_B port when C_XCL<Port_Num>_B_IN_USE is set to 1.
- Not supported on Spartan-6.
- Spartan-6 only
- When using the VFBC PIM on Spartan-6, the allowable values of this parameter are BRAM and DISABLED. If set to DISABLED, then VFBC unidirectional optimizations are performed. BRAM in this case is synonymous with ENABLED.

Personality Interface Module (PIM) Parameters

XCL PIM Design Parameters

Table 7 lists the XCL PIM Design Parameters

Table 7: XCL Design Parameters

Parameter Name	Default Value	Allowable Values	Description
C_XCL<Port_Num>_LINESIZE (1)	4	1,4,8,16	Number of words per transaction.
C_XCL<Port_Num>_WRITEXFER (1)	1	0, 1, 2	XCL write transfer type: 0 = No write transfers. 1 = Single write transfers only. 2 = Cacheline transfer only.
C_XCL<Port_Num>_B_LINESIZE (1,2)	4	1,4,8,16	Number of words per transaction.
C_XCL<Port_Num>_PIPE_STAGES	2	0,1, 2, 3	Include additional pipeline stages: 0 = None 1 = Read FIFO 2 = Read FIFO and Empty 3 = Read FIFO and Empty and Access FIFOs

Table 7: XCL Design Parameters (Cont'd)

Parameter Name	Default Value	Allowable Values	Description
C_XCL<Port_Num>_B_WRITEFER (1,2)	1	0, 1, 2	XCL write transfer type: 0 = No write transfers. 1 = Single write transfers only. 2 = Cacheline transfer only.
C_XCL<Port_Num>_B_IN_USE	0	0, 1	XCL B Port Enable. This parameter enables another XCL BUS on the same MPMC Port. 1 = Enable XCL B Port. 0 = Disable XCL B Port.

1. Valid when C_PIM<Port_Num>_BASETYPE = 1 (XCL) only
2. Valid when C_XCL<Port_Num>_B_IN_USE = 1 only

PLB v4.6 PIM Design Parameters

Table 8 lists the PLB PIM Design Parameters.

Table 8: PLB v4.6 PIM Design Parameters

Parameter Name	Default Value	Allowable Values	Description
C_SPLB<Port_Num>_AWIDTH (2,3)	32	32	PLB Least Significant Address Bus Width.
C_SPLB<Port_Num>_DWIDTH (2,3)	64	32,64,128	Width of the PLB Data Bus.
C_SPLB<Port_Num>_NATIVE_DWIDTH (2)	64	32,64	Width of the PIM Internal Data Bus. This is set automatically for Spartan-6 designs based on the width of the corresponding MCB port.
C_SPLB<Port_Num>_PLB_NUM_MASTERS (2,3)	1	1-16	Number of masters that can be connected the PIM.
C_SPLB<Port_Num>_PLB_MID_WIDTH (1,2,3)	1	0- 4	PLB Master ID Bus Width. The value is log ₂ (C_SPLB<Port_Num>_PLB_NUM_MASTERS) with a minimum value of 1.
C_SPLB<Port_Num>_P2P(2,3)	1	0,1	Selects Shared Bus or Point-to-Point (P2P) configuration for the PLB slave port: 0 = PLB Shared Bus Connection. 1 = PLB P2P Connection. Must be set to 1 when C_PIM<Port_Num>_SUBTYPE is set to IPLB or DPLB.
C_SPLB<Port_Num>_SUPPORT_BURSTS (2,3)	0	0,1	PLB PIM Burst Support: 0 = Single Word transactions. 1 = Single, cacheline, and burst transactions.
C_SPLB<Port_Num>_SMALLEST_MASTER (2,3)	32	32,64,128	Width of the smallest Master Data Bus.

1. log₂ represents a logarithm function of base 2. For example, log₂(1)=0, log₂(2)=1, log₂(4)=2, log₂(8)=3, log₂(16)=4, etc.
2. Valid if C_PIM<Port_Num>_BASETYPE = 2 (SPLB)
3. These parameters are normally calculated by the XPS based on what devices are connected to the PLB bus.

SDMA PIM Design Parameters

Table 9 lists the SDMA PIM Design Parameters.

Table 9: SDMA PIM Design Parameters

Parameter Name	Default Value	Allowable Values	Description
C_SDMA_CTRL_BASEADDR ^(1,2)	0xFFFFFFFF	Valid Address	SDMA CTRL Shared PLB v4.6 Base Address.
C_SDMA_CTRL_HIGHADDR ^(1,2)	0x00000000	Valid Address	SDMA CTRL Shared PLB v4.6 High Address.
C_SDMA_CTRL<Port_Num>_BASEADDR ^(1,2)	0xFFFFFFFF	Valid Address	SDMA CTRL PLB Base Address.
C_SDMA_CTRL<Port_Num>_HIGHADDR ^(1,2)	0x00000000	Valid Address	SDMA CTRL PLB High Address.
C_SDMA_CTRL<Port_Num>_AWIDTH ^(1,3)	32	32	PLB Address Width.
C_SDMA_CTRL<Port_Num>_DWIDTH ^(1,3)	64	32,64,128	PLB Data Width.
C_SDMA_CTRL<Port_Num>_NATIVE_DWIDTH ^(1,3)	32	32	PLB Native Data Width.
C_SDMA_CTRL<Port_Num>_PLB_NUM_MASTERS ^(1,3)	1	0-16	PLB Number of masters on the Bus.
C_SDMA_CTRL<Port_Num>_PLB_MID_WIDTH ^(1,3)	1	0-4	PLB Master ID Width.
C_SDMA_CTRL<Port_Num>_P2P ^(1,3)	1	0,1	PLB Point-to-Point (P2P) support: 0 = Not Supported. 1 = Supported.
C_SDMA_CTRL<Port_Num>_SUPPORT_BURSTS ^(1,3)	0	0	PLB PIM Burst support: 0 = Not Supported. 1 = Supported.
C_SDMA_CTRL<Port_Num>_SMALLEST_MASTER ^(1,3)	32	32,64,128	PLB Smallest Master on Bus.
C_SDMA<Port_Num>_PRESCALAR ⁽¹⁾	100	0-1023	Interrupt Delay Timer Scale Factor.
C_SDMA<Port_Num>_PI2LL_CLK_RATIO ⁽¹⁾	1	1,2	NPI to LocalLink Clock ratio.
C_SDMA<Port_Num>_COMPLETED_ERR_TX ⁽¹⁾	1	0,1	Transmit complete with error checking. 0 = Disable complete bit error checking. 1 = Enable complete bit error checking.
C_SDMA<Port_Num>_COMPLETED_ERR_RX ⁽¹⁾	1	0,1	Receive complete with error checking. 0 = Disable complete bit error checking. 1 = Enable complete bit error checking.

Notes:

- Valid if C_PIM<Port_Num>_BASETYPE = 3 (SDMA)
- If C_ALL_PIMS_USED_SHARED_ADDRESS is 1, there is one common BASEADDR/HIGHADDR for all SDMAs (C_SDMA_CTRL_BASEADDR); otherwise, each SDMA Port has a unique BASE/HIGHADDR (C_SDMA_CTRL<Port_Num>_BASEADDR).
- These parameters are normally calculated by the XPS based on what devices are connected to the PLB bus.

NPI PIM Design Parameters

Table 10 lists the NPI PIM Design Parameters.

Table 10: NPI PIM Design Parameters

Parameter Name	Default Value	Allowable Values	Description
C_PIM<Port_Num>_DATA_WIDTH	64	32,64	PIM Native Data Width.

MIB/PPC440MC PIM Design Parameters

Table 11 lists the MIB/PPC440MC PIM design parameters.

Table 11: MIB/PPC440MC Design Parameters

Parameter Name	Default Value	Allowable Values	Description
C_PPC440MC<Port_Num>_BURST_LENGTH	4	2,4,8	Length of allowable bursts.
C_PPC440MC<Port_Num>_PIPE_STAGES	1	0-2	Number of pipeline stages to insert.

VFBC PIM Design Parameters

Table 12 lists the VFBC PIM Design Parameters.

Table 12: VFBC PIM Design Parameters

Parameter Name	Default Value	Allowable Values	Description
C_VFBC<Port_Num>_CMD_FIFO_DEPTH	32	32,64,128,256,512,1024,2048,4096,8192 (1)	Depth of the command FIFO in 32-bit words.
C_VFBC<Port_Num>_CMD_AFULL_COUNT	3	0 - C_VFBC<Port_Num>_CMD_FIFO_DEPTH	Command FIFO almost full threshold.
C_VFBC<Port_Num>_RDWD_FIFO_DEPTH	1024	512,1024,2048,4096, 8192 (1)	Read/Write FIFO depth in the number of data words (word size is defined by the RDWD_DATA_WIDTH parameter.)
C_VFBC<Port_Num>_RDWD_DATA_WIDTH	32	8,16,32,64	Data width in number of bits.
C_VFBC<Port_Num>_RD_AEMPTY_WD_AFULL_COUNT	3	0 - C_VFBC<Port_Num>_RDWD_FIFO_DEPTH	Write FIFO Almost Full Threshold and Read FIFO Almost Empty Threshold.

- As the FIFO depth for each FIFO is increased, the FIFO consumes more block RAMs. The upper limit is constrained by the number of block RAMs available on the FPGA device and the number of block RAMS used.

I/O Signals

Table 13, through Table 19 provide the I/O signals for the MPMC system, memory, and PIMs.

System I/O Signals

Table 13: System I/O Signals

Signal Name	Direction	Init Status	Description
calib_recal ⁽³⁾	Input	Automatically set to 0 if unconnected	When asserted, starts recalibration.
MPMC_Clk0	Input	x	System clock input.
MPMC_Clk90	Input	x	System clock input, phase shifted by 90 degrees. Not used with SDRAM or Spartan-6.
MPMC_Clk0_DIV2	Input	x	MPMC_Clk0, divided by 2, clock input. Only valid when using MIG-based Virtex-5 DDR2 PHY.
MPMC_Clk_200MHz ⁽¹⁾	Input	x	200 MHz clock. Connects to IDELAY elements and does not have to be phase or frequency related to MPMC_Clk0. Valid when using MIG-based Virtex-4/Virtex-5/Virtex-6 PHY only.
MPMC_Rst	Input	x	System reset input. Active High.
MPMC_Clk_Mem ⁽²⁾	Input	x	Memory read data capture clock used by static PHY or Virtex-6 memory clock; otherwise should be left unconnected
MPMC_Clk_Mem_2x ⁽³⁾	Input	x	MCB clock driven by a PLL block that is 2x the memory clock rate. For example, 800 MHz for a 400 MHz memory interface.
MPMC_Clk_Mem_2x_180 ⁽³⁾	Input	x	MPMC_Clk_Mem_2x shifted by 180 degrees and driven from same PLL as MPMC_Clk_Mem_2x.
MPMC_Clk_Mem_2x_CE0 ⁽³⁾	Input	x	I/O clock enable strobe from BUFPLL_MCB aligned to MPMC_Clk_Mem_2x. Only valid if C_MCB_USE_EXTERNAL_BUFPLL == 1.
MPMC_Clk_Mem_2x_CE90 ⁽³⁾	Input	x	I/O clock enable strobe from BUFPLL_MCB aligned to MPMC_Clk_Mem_2x_180. Only valid if C_MCB_USE_EXTERNAL_BUFPLL == 1.
MPMC_Clk_Mem_2x_bufpll_o ⁽³⁾	Output	x	Output of internal BUFPLL_MCB to enable sharing it with a cascaded MPMC
MPMC_Clk_Mem_2x_180_bufpll_o ⁽³⁾	Output	x	Output of internal BUFPLL_MCB to enable sharing it with a cascaded MPMC
MPMC_Clk_Mem_2x_CE0_bufpll_o ⁽³⁾	Output	x	Output of internal BUFPLL_MCB to enable sharing it with a cascaded MPMC
MPMC_Clk_Mem_2x_CE90_bufpll_o ports ⁽³⁾	Output	x	Output of internal BUFPLL_MCB to enable sharing it with a cascaded MPMC
MPMC_PLL_Lock_bufpll_o ⁽³⁾	Output	x	Output of internal BUFPLL_MCB to enable sharing it with a cascaded MPMC.
MPMC_Clk_Rd_Base ⁽⁴⁾	Input	x	Internal Read Capture clock.
MPMC_MCB_DRP_Clk ⁽³⁾	Input	x	MCB DRP Clock. Must be driven from the same PLL as MPMC_Clk_Mem_2x and phase aligned with MPMC_Clk_Mem_2x. MPMC_MCB_DRP_Clk must be between 50 and 100 MHz and be an integer-divided frequency of MPMC_Clk_Mem_2x.

1. Signals are applicable MIG-based Virtex-4/Virtex-5/Virtex-6 PHY only.

2. Signals are applicable when using Static PHY only. This includes the SDRAM PHY. Also used by the Virtex-6 MIG PHY.

3. Spartan-6 only.

4. Virtex-6 only.

Table 13: System I/O Signals (Cont'd)

Signal Name	Direction	Init Status	Description
MPMC_DCM_PSEN ⁽²⁾	Output	x	Connects to PSEN pin of DCM to allow MPMC Static PHY to change DCM phase.
MPMC_DCM_PSINCDEC ⁽²⁾	Output	x	Connects to PSINCDEC pin of DCM to allow MPMC Static PHY to change DCM phase.
MPMC_DCM_PSDONE ⁽²⁾	Input	x	Connects to PSDONE pin of DCM to allow MPMC Static PHY to change DCM phase.
MPMC_ECC_Intr	Output	0	ECC Interrupt: (level sensitive) Valid if C_INCLUDE_ECC_SUPPORT is enabled. 0 = No Interrupt. 1 = Interrupt asserted.
MPMC_Idelayctrl_Rdy_I ⁽¹⁾	Input	Automatically set to 1 if unconnected	This active high input is combined with internal IDELAYCTRL_RDY signals to indicate that the memory initialization can begin.
MPMC_Idelayctrl_Rdy_0 ⁽¹⁾	Output	0	This active high output signals that the internal IDELAYCTRL RDY signals and the MPMC_Idelayctrl_Rdy_I are all high.
MPMC_InitDone	Output	0	This active high signal, when asserted, indicates that the memory initialization has completed successfully. When LOW, the memory is currently being calibrated and configured.
MPMC_PLL_Lock ⁽³⁾	Input	x	Lock signal from PLL driving clocks to MCB.
selfrefresh_enter ⁽³⁾	Input	Automatically set to 0 if unconnected	Reserved - Not supported MCB feature.
selfrefresh_mode ⁽³⁾	Output	0	Reserved - Not supported MCB feature.

1. Signals are applicable MIG-based Virtex-4/Virtex-5/Virtex-6 PHY only.
2. Signals are applicable when using Static PHY only. This includes the SDRAM PHY. Also used by the Virtex-6 MIG PHY.
3. Spartan-6 only.
4. Virtex-6 only.

Memory Signals

SDRAM PHY I/O Signals (Spartan-3, Virtex-4, and Virtex-5 Only)

Table 14: SDRAM PHY I/O Signals

Signal	Direction	Init Status	Description
SDRAM_Addr	Output	x	Row/Column address.
SDRAM_BankAddr	Output	x	Bank address.
SDRAM_CAS_n	Output	1	Command input.
SDRAM_CE	Output	0	Clock enable (memory CKE signal.)
SDRAM_Clk	Output	0	Clock to memory.
SDRAM_CS_n	Output	1	Chip select, active-low.
SDRAM_DM	Output	0	Data masks.
SDRAM_DQ ⁽¹⁾	In/Out	z	Data bits.
SDRAM_RAS_n	Output	1	Command input.
SDRAM_WE_n	Output	1	Command input.

1. The MHS signal connecting this port and the MHS external port must have the same name. See <http://www.xilinx.com/support/answers/14264.htm>.

Double Data Rate (DDR), Double Data Rate 2 (DDR2), and Double Data Rate 3 (DDR3) I/O Signals**DDR I/O Signals (Spartan-3, Virtex-4, and Virtex-5 Only)**

Table 15: DDR I/O Signals

Signal Name ⁽¹⁾	Direction	Init Status	Description
DDR_Addr	Output	x	Row/Column address.
DDR_BankAddr	Output	x	Bank address.
DDR_CAS_n	Output	1	Command input.
DDR_CE	Output	0	1 = Clock enabled. (memory CKE signal)
DDR_CS_n	Output	1	0 = Chip select enabled.
DDR_Clk	Output	0	Clock to memory.
DDR_Clk_n	Output	1	Inverted clock to memory.
DDR_DM	Output	x	Data mask outputs.
DDR_DQ ⁽³⁾	In/Out	x	Data.
DDR_DQS ⁽³⁾	In/Out	x	Data strobe.
DDR_DQS_DIV_O ⁽²⁾	Output	x	Timing loop signal.
DDR_DQS_DIV_I ⁽²⁾	Input	x	Timing loop signal.
DDR_RAS_n	Output	1	Command input.
DDR_WE_n	Output	1	Command input.

1. For detailed signal descriptions, refer to device-specific data sheets.

2. Required when using MIG-based Spartan-3 (3/3A/3AN/3ADSP/3E) PHY.

3. The MHS signal connecting this port and the MHS external port must have the same name. See <http://www.xilinx.com/support/answers/14264.htm>.
"Reference Documents," page 234 has a link to this topic.

DDR2 I/O Signals (Spartan-3, Virtex-4, Virtex-5, and Virtex-6 Only)

Table 16: DDR2 I/O Signals

Signal Name ⁽¹⁾	Direction	Init Status	Description
DDR2_Addr	Output	x	Row/Column address.
DDR2_BankAddr	Output	x	Bank address.
DDR2_CAS_n	Output	1	Command input.
DDR2_CE	Output	0	1 = Clock enabled.
DDR2_CS_n	Output	1	0 = Chip select enabled.
DDR2_Clk	Output	0	Clock to memory.
DDR2_Clk_n	Output	1	Inverted clock to memory.
DDR2_DM	Output	x	Data mask outputs.
DDR2_DQ ⁽³⁾	In/Out	x	Data.
DDR2_DQS ⁽³⁾	In/Out	x	Data Strobe.
DDR2_DQS_DIV_I ⁽²⁾	Input	x	Timing loop signal.
DDR2_DQS_DIV_O ⁽²⁾	Output	x	Timing loop signal.
DDR2_DQS_n ⁽⁴⁾	In/Out	x	Inverted Data Strobe.

Table 16: DDR2 I/O Signals (Cont'd)

Signal Name ⁽¹⁾	Direction	Init Status	Description
DDR2_ODT	Output	0	On-Die-Termination signal. Care must be taken when connecting these pins to your memory when you have more than one rank; there is a direct relationship to the DDR2_CS_n pins.
DDR2_RAS_n	Output	1	Command input.
DDR2_WE_n	Output	1	Command input.

1. For detailed signal descriptions, refer to device-specific data sheets.
2. Required when using MIG-based Spartan-3/3A/3AN/3ADSP/3E DDR/DDR2 PHY.
3. The MHS signal connecting this port and the MHS external port must have the same name. See <http://www.xilinx.com/support/answers/14264.htm>. The "Reference Documents," page 234 has a link to this topic.
4. Required when differential DQS is enabled (C_DDR2_DQSN_ENABLE = 1).

DDR3 I/O Signals (Virtex-6 Only)

Table 17: DDR3 I/O Signals

Signal Name ⁽¹⁾	Direction	Init Status	Description
DDR3_Addr	Output	x	Row/Column address.
DDR3_BankAddr	Output	x	Bank address.
DDR3_CAS_n	Output	1	Command input.
DDR3_CE	Output	0	1 = Clock enabled.
DDR3_CS_n	Output	1	0 = Chip select enabled.
DDR3_Clk	Output	0	Clock to memory.
DDR3_Clk_n	Output	1	Inverted clock to memory.
DDR3_DM	Output	x	Data mask outputs.
DDR3_DQ ⁽³⁾	In/Out	x	Data.
DDR3_DQS ⁽³⁾	In/Out	x	Data Strobe.
DDR3_DQS_n ⁽⁴⁾	In/Out	x	Inverted Data Strobe.
DDR3_ODT	Output	0	On-Die-Termination signal. Care must be taken when connecting these pins to your memory when you have more than one rank; there is a direct relationship to the DDR3_CS_n pins.
DDR3_RAS_n	Output	1	Command input.
DDR3_Reset_n	Output	1	Inverted reset.
DDR3_WE_n	Output	1	Command input.

1. For detailed signal descriptions, refer to device-specific data sheets.
2. Required when using MIG-based Spartan-3/3A/3AN/3ADSP/3E DDR/DDR3 PHY.
3. The MHS signal connecting this port and the MHS external port must have the same name. See <http://www.xilinx.com/support/answers/14264.htm>. The "Reference Documents," page 234 has a link to this topic.
4. Required when differential DQS is enabled (C_DDR3_DQSN_ENABLE = 1).

MCB PIM I/O Signals

Table 18: DDR, LPDDR, DDR2, and DDR3 MCB PIM I/O Signals (Spartan-6 Only)

Signal Name	Direction	Init Status	Description
mcbx_dram_addr	Output	x	Row/Column address.
mcbx_dram_ba	Output	x	Bank address.
mcbx_dram_cas_n	Output	1	Command input.
mcbx_dram_cke	Output	0	1 = Clock enabled.
mcbx_dram_clk	Output	0	Clock to memory.
mcbx_dram_clk_n	Output	1	Inverted clock to memory.
mcbx_dram_ddr3_rst	Output	0	Inverted DDR3 Reset. This is an active low signal to be connected directly to the DDR3 component.
mcbx_dram_dq	In/Out	x	Data.
mcbx_dram_dqs	In/Out	x	Data Strobe.
mcbx_dram_dqs_n	In/Out	x	Inverted Data Strobe.
mcbx_dram_ldm	Output	x	Lower Data Mask.
mcbx_dram_odt	Output	0	On-Die-Termination signal.
mcbx_dram_ras_n	Output	1	Command input.
mcbx_dram_udqs	In/Out	x	Upper Data Strobe.
mcbx_dram_udqs_n	In/Out	x	Upper Inverted Data Strobe.
mcbx_dram_udm	Output	x	Upper Data Mask.
mcbx_dram_we_n	Output	1	Command input.
rzq	In/Out	x	Used by soft calibration logic (C_MEM_CALIBRATION_SOFT_IP = TRUE) to match input impedance to external resistor.
zio	In/Out	x	Used by soft calibration logic (C_MEM_CALIBRATION_SOFT_IP = TRUE) to match input impedance to external resistor.

PIM I/O Signals

XCL PIM I/O Signals

Table 19: XCL PIM I/O Signals⁽¹⁾

Signal Name	Direction	Init Status	Description
FSL<Port_Num>_M_Clk	Input	x	Clock
FSL<Port_Num>_M_Write	Input	x	Write enable signal indicating that data is being written to the output FSL.
FSL<Port_Num>_M_Data	Input	x	Data value written to the output FSL.
FSL<Port_Num>_M_Control	Input	x	Control bit value written to the output FSL.
FSL<Port_Num>_M_Full	Output	0	Full Bit indicating output FSL FIFO is full when set.
FSL<Port_Num>_S_Clk	Input	x	Clock
FSL<Port_Num>_S_Read	Input	x	Read acknowledge signal indicating that data has been read from the input FSL.
FSL<Port_Num>_S_Data	Output	x	Data value currently available at the top of the input FSL.
FSL<Port_Num>_S_Control	Output	0	Control Bit value currently available at the top of the input FSL.
FSL<Port_Num>_S_Exists	Output	0	Flag indicating that data exists in the input FSL.

- When C_XCL<Port_Num>_B in use is enabled, the B port has the same signals names with an _B appended after the <Port_Num>.

PLB v4.6, SDMA_CTRL, and MPMC_CTRL PIM I/O Signals

MPMC contains Slave PLB ports for the PLB PIM, SDMA Control registers (SDMA_CTRL), and MPMC Control register (MPMC_CTRL) interfaces. Each of these slave PLB interfaces have the same set of signal names with different prefixes on the Port Bus Names. The <Bus_Name> prefixes are as follows:

- SDMA Control registers (SDMA_CTRL) for Ports 0 to 7: SDMA_CTRL<Port_Num>_
 - SDMA_CTRL is valid if C_PIM<Port_Num>_BASETYPE = 3
- MPMC Control registers (MPMC_CTRL): MPMC_CTRL
 - MPMC_CTRL is valid if PM, ECC, Debug registers, or Static PHY is enabled
- MPMC Slave PLB v4.6 PIM: SPLB<Port_Num>
 - SPLB<Port_Num> is valid if C_PIM<Port_Num>_BASETYPE = 2

Table 20 lists the available signals for SDMA_CTRL, MPMC_CTRL, and PLB v4.6 PIM (SPLB). Replace <Bus_Name> with the appropriate bus prefix.

Table 20: SDMA_CTRL, MPMC_CTRL, and PLB v4.6 (SPLB) PIM I/O Signals

Signal Name	Direction	Init Status	Description
<Bus_Name>_Clk	Input	x	Bus clock.
<Bus_Name>_Rst	Input	x	PLB reset, active high.
<Bus_Name>_PLB_ABus	Input	x	PLB address bus.
<Bus_Name>_PLB_PAVValid	Input	x	PLB primary address valid.
<Bus_Name>_PLB_SAVValid	Input	x	PLB secondary address valid.
<Bus_Name>_PLB_masterID	Input	x	PLB current master identifier.
<Bus_Name>_PLB_RNW	Input	x	PLB read not write.

Table 20: SDMA_CTRL, MPMC_CTRL, and PLB v4.6 (SPLB) PIM I/O Signals (Cont'd)

Signal Name	Direction	Init Status	Description
<Bus_Name>_PLB_BE	Input	x	PLB byte enables.
<Bus_Name>_PLB_UABus	Input	x	PLB size of requested transfer.
<Bus_Name>_PLB_rdPrim	Input	x	PLB secondary to primary read request indicator.
<Bus_Name>_PLB_wrPrim	Input	x	PLB secondary to primary write request indicator.
<Bus_Name>_PLB_abort	Input	x	PLB abort bus request.
<Bus_Name>_PLB_busLock	Input	x	PLB bus lock.
<Bus_Name>_PLB_MSize	Input	x	PLB data bus width indicator.
<Bus_Name>_PLB_size	Input	x	PLB size of requested transfer.
<Bus_Name>_PLB_type	Input	x	PLB transfer type.
<Bus_Name>_PLB_lockErr	Input	x	PLB lock error indicator.
<Bus_Name>_PLB_wrPendReq	Input	x	PLB pending write bus request indicator.
<Bus_Name>_PLB_wrPendPri	Input	x	PLB pending write request priority.
<Bus_Name>_PLB_rdPendReq	Input	x	PLB read bus request indicator.
<Bus_Name>_PLB_rdPendPri	Input	x	PLB read bus request priority.
<Bus_Name>_PLB_reqPri	Input	x	PLB current request priority.
<Bus_Name>_PLB_TAttribute	Input	x	PLB transfer attribute bus.
<Bus_Name>_PLB_rdBurst	Input	x	PLB read burst transfer indicator.
<Bus_Name>_PLB_wrBurst	Input	x	PLB burst write transfer indicator.
<Bus_Name>_PLB_wrDBus	Input	x	PLB write data bus.
<Bus_Name>_SI_addrAck	Output	0	Slave address acknowledge.
<Bus_Name>_SI_SSize	Output	0	Slave data bus size.
<Bus_Name>_SI_wait	Output	0	Slave wait indicator.
<Bus_Name>_SI_rearbitrate	Output	0	Slave rearbitrate bus indicator.
<Bus_Name>_SI_wrDAck	Output	0	Slave write data acknowledge.
<Bus_Name>_SI_wrComp	Output	0	Slave write transfer complete indicator.
<Bus_Name>_SI_wrBTerm	Output	0	Slave terminate write burst transfer.
<Bus_Name>_SI_rdDBus	Output	0	Slave read data bus.
<Bus_Name>_SI_rdWdAddr	Output	0	Slave read word address.
<Bus_Name>_SI_rdDAck	Output	0	Slave read data acknowledge.
<Bus_Name>_SI_rdComp	Output	0	Slave read transfer complete indicator.
<Bus_Name>_SI_rdBTerm	Output	0	Slave terminate read burst transfer.
<Bus_Name>_SI_MBusy	Output	0	Slave busy indicator.
<Bus_Name>_SI_MRdErr	Output	0	Slave read error indicator.
<Bus_Name>_SI_MWrErr	Output	0	Slave write error indicator.
<Bus_Name>_SI_MIRQ	Output	0	Slave interrupt indicator.

SDMA LocalLink I/O Signals

Table 21: SDMA LocalLink Interface Signals

Signal Name	Direction	Init Status	Description
LocalLink System Interface			
SDMA<Port_Num>_Clk	Input	x	LLink_Clk
Transmit LocalLink Interface			
SDMA<Port_Num>_TX_D(0:31)	Output	0	Transmit LocalLink Data Bus.
SDMA<Port_Num>_TX_Rem(0:3)	Output	1	Transmit LocalLink Remainder Bus.
SDMA<Port_Num>_TX_SOF	Output	1	Transmit LocalLink Start of Frame.
SDMA<Port_Num>_TX_EOF	Output	1	Transmit LocalLink End of Frame.
SDMA<Port_Num>_TX_SOP	Output	1	Transmit LocalLink Start of Payload.
SDMA<Port_Num>_TX_EOP	Output	1	Transmit LocalLink End of Payload.
SDMA<Port_Num>_TX_Src_Rdy	Output	1	Transmit LocalLink Source Ready.
SDMA<Port_Num>_TX_Dst_Rdy	Input	x	Transmit LocalLink Destination Ready.
Receive LocalLink Interface			
SDMA<Port_Num>_RX_D(0:31)	Input	x	Receive LocalLink Data Bus.
SDMA<Port_Num>_RX_Rem(0:3)	Input	x	Receive LocalLink Remainder Bus.
SDMA<Port_Num>_RX_SOF	Input	x	Receive LocalLink Start of Frame.
SDMA<Port_Num>_RX_EOF	Input	x	Receive LocalLink End of Frame.
SDMA<Port_Num>_RX_SOP	Input	x	Receive LocalLink Start of Payload.
SDMA<Port_Num>_RX_EOP	Input	x	Receive LocalLink End of Payload.
SDMA<Port_Num>_RX_Src_Rdy	Input	x	Receive LocalLink Source Ready.
SDMA<Port_Num>_RX_Dst_Rdy	Output	1	Receive LocalLink Destination Ready.
SDMA System Interface			
SDMA<Port_Num>_Rx_IntOut	Output	0	Receive interrupt output.
SDMA<Port_Num>_Tx_IntOut	Output	0	Transmit interrupt output.
SDMA<Port_Num>_RstOut	Output	0	Soft Reset Acknowledge.

NPI PIM I/O Signals

The NPI PIM runs only at a 1:1 clock ratio to the MPMC memory clock (PORT_MPMC_Clk0); consequently there is no clock input for this interface. [Table 22](#) lists the NPI PIM I/O signals.

Table 22: NPI PIM I/O Signals

Signal Name	Direction	Init Status	Description
Address Phase Related Input Ports			
PIM<Port_Num>_Addr	Input	x	Indicates the starting address of a particular request. Only valid when PIM<Port_Num>_AddrReq is valid. Must be aligned to PIM<Port_Num>_Size burst length. See the "Address Path," page 68 for address alignment requirements.
PIM<Port_Num>_AddrReq	Input	x	This active high signal indicates that NPI is ready for MPMC to arbitrate an address request. This request cannot be aborted. Must be asserted until PIM<Port_Num>_AddrAck is asserted. See "NPI Design Restrictions and Recommendations," page 187 for additional restrictions.
PIM<Port_Num>_RNW	Input	x	Read/Not Write: 0 = Request is a Write request. 1 = Request is a Read request. Only valid when PIM<Port_Num>_AddrReq is valid.
PIM<Port_Num>_Size	Input	x	Indicates the transfer type of the request: <ul style="list-style-type: none"> • 0x0 = Word transfers (32-bit NPI only) • 0x0 = Double-word transfers (64-bit NPI only) • 0x1 = 4-word cache-line transfer • 0x2 = 8-word cache-line transfers • 0x3 = 16-word burst transfers • 0x4 = 32-word burst transfers • 0x5 = 64-word burst transfers (Not available in all configurations. Available configurations are described in "Restrictions on 64-Word Burst Transfers," page 189.) • Only valid when PIM<Port_Num>_AddrReq is valid.
PIM<Port_Num>_RdModWr	Input	x	This active high signal indicates that if the request is a write, MPMC should do a read/ modify/write. Only valid when PIM<Port_Num>_AddrReq is valid. Only valid when C_INCLUDE_ECC_SUPPORT is set to 1. This is required to be set to 1, if: <ul style="list-style-type: none"> •The total transfer size specified by PIM<Port_Num>_Size * 32(bits/word) is less than C_MEM_DATA_WIDTH * 4 (beats/burst), to satisfy the constant memory burst length of 4. •The PIM<Port_Num>_WrFIFO_BE bits for the transfer are not guaranteed to be 1, because MPMC ECC does not use data mask (DM) signals.
Other Outputs			

Table 22: NPI PIM I/O Signals (Cont'd)

Signal Name	Direction	Init Status	Description
PIM<Port_Num>_InitDone	Output	0	1 indicates that initialization is complete and that FIFOs are available for use. Do not assert PIM<Port_Num>_WrFIFO_Push or PIM<Port_Num>_RdFIFO_Pop until PIM<Port_Num>_InitDone is equal to 1.
Address Phase Related Output Ports			
PIM<Port_Num>_AddrAck	Output	0	This active high signal indicates that MPMC has begun arbitration for address request. Valid for one cycle of MPMC_Clk0. PIM<Port_Num>_AddrReq must be deasserted on the next cycle of MPMC_Clk0 unless NPI is requesting a new transfer.
Write Data Phase Related Input Ports			
PIM<Port_Num>_WrFIFO_Data	Input	x	Data to be pushed into MPMC write FIFOs. Only valid with PIM<Port_Num>_WrFIFO_Push. Data is little-endian as shown in Figure 7, page 97 .
PIM<Port_Num>_WrFIFO_BE	Input	x	Indicates which bytes of PIM<Port_Num>_WrFIFO_Data to write. Only valid with PIM<Port_Num>_WrFIFO_Push.
PIM<Port_Num>_WrFIFO_Push	Input	x	This active high signal indicates push PIM<Port_Num>_WrFIFO_Data into write FIFOs. Must be asserted for one cycle of MPMC_Clk0. Cannot be asserted while PIM<Port_Num>_InitDone is 0. Cannot be asserted while PIM<Port_Num>_WrFIFO_AlmostFull is asserted. Can be asserted before, after, or during the address phase unless MPMC is configured in one of several special cases. See the " NPI Design Restrictions and Recommendations ," page 187 .
PIM<Port_Num>_WrFIFO_Flush	Input	x	Reserved. Drive with 0.
Write Data Phase Related Output Ports			
PIM<Port_Num>_WrFIFO_Empty	Output	1	This active high signal indicates that there are less than C_MEM_DATA_WIDTH bits of data in the write FIFO.
PIM<Port_Num>_WrFIFO_AlmostFull	Output	0	This active high signal indicates that PIM<Port_Num>_WrFIFO_Push cannot be asserted on the next cycle of MPMC_Clk0. This signal is only asserted when using SRL FIFOs. If BRAM FIFOs are used, the PIM cannot allow more than 1024 bytes of data to be pushed into the FIFOs.
Read Data Phase Related Input Ports			

Table 22: NPI PIM I/O Signals (Cont'd)

Signal Name	Direction	Init Status	Description
PIM<Port_Num>_RdFIFO_Pop	Input	x	This active high signal indicates that read FIFO fetch the next value of PIM<Port_Num>_RdFIFO_Data. Must be asserted for one cycle of MPMC_Clk0. Cannot be asserted while PIM<Port_Num>_InitDone is 0. Cannot be asserted while PIM<Port_Num>_RdFIFO_Empty is asserted. See information in PIM<Port_Num>_RdFIFO_RdFIFO_Latency to know when PIM<Port_Num>_RdFIFO_Data is valid.
PIM<Port_Num>_RdFIFO_Flush	Input	x	This active high signal indicates that the read FIFO flags should be reset. This signal must only be used when issuing commands of PIM<Port_Num>_Size is 0x3, 0x4 or 0x5. Must be asserted for one cycle of MPMC_Clk0. Caution! RdFIFO_Flush must not be asserted unless RdFIFO_Empty is 0 and there are no outstanding acknowledged address requests. If Flush asserted when multiple read address requests are acknowledged, but where the data phases corresponding to the address phases have not completed, MPMC is in the process of pushing read data from the second address phase into the FIFOs. If the FIFO flags are reset during this time, the FIFO address counters could obtain an unexpected value, putting MPMC in an unstable state; risking either memory errors or the PIM going into a state of deadlock.
Read Data Phase Related Output Ports			
PIM<Port_Num>_RdFIFO_Data	Output	0	Data to be popped out of MPMC read FIFOs. Only valid a certain number of cycles after PIM<Port_Num>_RdFIFO_Push is asserted, and/or PIM<Port_Num>_RdFIFO_Empty is deasserted, as specified by PIM<Port_Num>_RdFIFO_Latency. Data is little-endian as shown in Figure 7, page 97 .
PIM<Port_Num>_RdFIFO_RdWdAddr	Output	0	Indicates the word of a cacheline transfer to which PIM<Port_Num>_RdFIFO_Data corresponds. Only valid a certain number of cycles after PIM<Port_Num>_RdFIFO_Push is asserted, as specified by PIM<Port_Num>_RdFIFO_Latency. Counts by 1 with a 32-bit NPI; counts by 2 with a 64-bit NPI.
PIM<Port_Num>_RdFIFO_Empty	Output	1	When this active high signal, is de-asserted,(0), it indicates that enough data is in the read FIFOs to assert PIM<Port_Num>_RdFIFO_Pop.

Table 22: NPI PIM I/O Signals (Cont'd)

Signal Name	Direction	Init Status	Description
PIM<Port_Num>_RdFIFO_Latency	Output	0, 1, 2	<p>Indicates the number of cycles from the time PIM<Port_Num>_RdFIFO_Pop is asserted and/or PIM<Port_Num>_RdFIFO_Empty is deasserted until PIM<Port_Num>_RdFIFO_Data and PIM<Port_Num>_RdFIFO_RdWdAddr are valid</p> <ul style="list-style-type: none"> 0 = PIM<Port_Num>_RdFIFO_Data and PIM<Port_Num>_RdFIFO_RdWdAddr are valid in the same cycle as the assertion of PIM<Port_Num>_RdFIFO_Pop. 1 = PIM<Port_Num>_RdFIFO_Data and PIM<Port_Num>_RdFIFO_RdWdAddr are valid in the cycle following the assertion of PIM<Port_Num>_RdFIFO_Pop. 2 = PIM<Port_Num>_RdFIFO_Data and PIM<Port_Num>_RdFIFO_RdWdAddr are valid two cycles following the assertion of PIM<Port_Num>_RdFIFO_Pop. <p>This is a constant value for a particular MPMC configuration. Because it is not possible to pass a parameter from one processor core to another, this value is provided as a port. This is a static signal.</p>

PPC440MC PIM I/O Signals

Table 23 lists the PPC440MC PIM I/O signals.

Table 23: PPC440MC PIM I/O Signal Description

Signal Name	Direction	Initial Status	Description
PPC440MC<Port_Num>_MIMCReadNotWrite	Input	x	PPC440MC read not write signal.
PPC440MC<Port_Num>_MIMCAddress[0:35] ⁽¹⁾	Input	x	PPC440MC address bus.
PPC440MC<Port_Num>_MIMCAddressValid	Input	x	PPC440MC address valid identifier.
PPC440MC<Port_Num>_MIMCWriteData[0:127]	Input	x	PPC440MC write data bus.
PPC440MC<Port_Num>_MIMCWriteDataValid	Input	x	PPC440MC write data valid identifier.
PPC440MC<Port_Num>_MIMCByteEnable[0:15]	Input	x	PPC440MC byte enables.
PPC440MC<Port_Num>_MCMIReadData[0:127]	Output	0	PIM read data bus.
PPC440MC<Port_Num>_MCMIReadDataValid	Output	0	PIM read data valid.
PPC440MC<Port_Num>_MCMIAAddrReadytoAccept	Output	0	PIM ready to accept address indicator.

1. MPMC supports 32 bits [4:35] of address only.

VFBC PIM I/O Signal

Table 24 lists the VFBC PIM I/O signals.

Table 24: VFBC PIM I/O Signals

Port Name	Direction	Init Status	Description
VFBC Command Interface			
VFBC<Port_Num>_Cmd_Clk	Input	x	Command Clock. Can be asynchronous from the MPMC_Clk0.
VFBC<Port_Num>_Cmd_Idle	Output	1	VFBC Idle. Low when the VFBC is actively processing a transfer. High when no transfer is in the VFBC Command Queue.
VFBC<Port_Num>_Cmd_Reset ^(1, 2)	Input	x	Command Reset (Active High).
VFBC<Port_Num>_Cmd_Data[31:0]	Input	x	Command Data (See "Required PPC440 Block MI_CONTROL/C_PPC440MC_CONTROL Register Settings," page 173 for more information on the Command Packet Data Structure.)
VFBC<Port_Num>_Cmd_Write	Input	x	Command Write. The command words are pushed onto the command FIFO when this signal is high.
VFBC<Port_Num>_Cmd_End	Input	x	Command End. When high, the command word currently being written is the last command word in the command. Used to terminate a command early for non-2D transfers. Command word 1 is the only valid command word to provide the End signal. This signal is usually tied low.
VFBC<Port_Num>_Cmd_Full	Output	1	Command Fifo Full. Active high only when the Command FIFO is full.
VFBC<Port_Num>_Cmd_Almost_Full	Output	1	Command Fifo Almost Full. High only when the Command FIFO is almost full. Controlled by the CMD0_AFULL_CNT parameter.
VFBC Write Data Interface			
VFBC<Port_Num>_Wd_Clk	Input	x	Write Data FIFO Clock. Can be asynchronous from the MPMC_Clk0.
VFBC<Port_Num>_Wd_Reset ^(1, 2)	Input	x	Write Data FIFO Reset. (Active High) When asserted, this command: <ul style="list-style-type: none"> Flushes the Write Data FIFO. Clears the current Write Command from the Command FIFO. Resetting the Write Data FIFO returns the internal read/write FIFO pointers to zero. The current write command is also removed from the command FIFO even if the command has not completed.

1. The VFBC Reset and Flush inputs must be held high for at least two MPMC_Clk0 cycles. Because these inputs could be controlled from a different clock domain than the MPMC_Clk0, the relative frequency of the reset/flush clock domain must be taken into account when determining the number of clock cycles to assert the reset or flush and to wait after reset or flush. The following equation is used to determine the number of clock cycles to hold the reset or flush input high: $2 * (VFBC_Clk_Freq / MPMC_Clk0_Freq)$
2. After reset, there should not be any accesses to the VFBC interfaces for 6 MPMC_Clk cycles.
3. After flush, there should not be any accesses to the VFBC interfaces for 6 MPMC_Clk cycles.

Table 24: VFBC PIM I/O Signals (Cont'd)

Port Name	Direction	Init Status	Description
VFBC<Port_Num>_Wd_Flush ^(1,2)	Input	x	Write Data FIFO Flush. (Active High) When asserted this command returns the internal read/write FIFO pointers to zero. Unlike a FIFO reset, the current write command is kept active in the command FIFO.
VFBC<Port_Num>_Wd_Write	Input	x	Write Data FIFO Push (Active High)
VFBC<Port_Num>_Wd_Data [C_VFBC<Port_Num>_RDWD_DATA_WIDTH-1:0]	Input	x	Write Data FIFO Data. Must be valid when VFBC<Port_Num>_Wd_Write is High.
VFBC<Port_Num>_Wd_DataByteEn [C_VFBC<Port_Num>_WRDWD_DATA_WIDTH/8-1:0]	Input	x	Reserved for Write Data FIFO Byte Enables. This input is currently not used but included for compatibility with future VFBC PIM versions.
VFBC<Port_Num>_Wd_End_Burst	Input	x	Burst End. Used only when the transfer is not a multiple of the burst size. If the transfer ends on a non 32-word boundary, this signal must be asserted high during the last word transferred. This signal is usually tied low for aligned transfers.
VFBC<Port_Num>_Wd_Full	Output	1	Write Data Fifo Full. Active high only when the write data FIFO is full. The depth of the FIFO is set by the C_VFBC<Port_Num>_RDWD_FIFO_DEPTH parameter.
VFBC<Port_Num>_Wd_Almost_Full	Output	1	Write Data Fifo Almost Full. Active high only when the write data FIFO is almost full. Controlled by the C_VFBC<Port_Num>_RD_AEMPTY_WD_AFULL_COUNT parameter.
VFBC Read Data Interface			
VFBC<Port_Num>_Rd_Clk	Input	x	Read Data FIFO Clock: Can be asynchronous from the MPMC_Clk0 Clock.
VFBC<Port_Num>_Rd_Reset ^(1,2)	Input	x	Read Data FIFO Reset (Active High). When asserted, this command: <ul style="list-style-type: none"> Flushes the Read Data FIFO. Clears the current Read command from the command FIFO. Resetting the Read Data FIFO returns the internal read/write FIFO pointers to zero. The current write command is also removed from the command FIFO even if the command has not completed.
VFBC<Port_Num>_Rd_Flush ^(1,3)	Input	x	Read Data FIFO Flush (Active High). Asserting this command returns the internal read/write FIFO pointers to zero. Unlike a FIFO reset, the current read command is kept active in the command FIFO.
VFBC<Port_Num>_Rd_Read	Input	x	Read Data FIFO Pop (Active High).

1. The VFBC Reset and Flush inputs must be held high for at least two MPMC_Clk0 cycles. Because these inputs could be controlled from a different clock domain than the MPMC_Clk0, the relative frequency of the reset/flush clock domain must be taken into account when determining the number of clock cycles to assert the reset or flush and to wait after reset or flush. The following equation is used to determine the number of clock cycles to hold the reset or flush input high: $2 * (VFBC_Clk_Freq / MPMC_Clk0_Freq)$
2. After reset, there should not be any accesses to the VFBC interfaces for 6 MPMC_Clk cycles.
3. After flush, there should not be any accesses to the VFBC interfaces for 6 MPMC_Clk cycles.

Table 24: VFBC PIM I/O Signals (Cont'd)

Port Name	Direction	Init Status	Description
VFBC<Port_Num>_Rd_End_Burst	Input	x	Burst End. Used only when the transfer is not a multiple of the burst size. If the transfer ends on a non 32-word boundary, this signal must be asserted high during the last word transferred. This signal is usually tied low.
VFBC<Port_Num>_Rd_Data [C_VFBC<Port_Num>_RDWD_DATA_WIDTH-1:0]	Output	x	Read Data FIFO Data. The data is valid one clock cycle after when the VFBC<Port_Num>_Rd_Read is High.
VFBC<Port_Num>_Rd_Empty	Output	1	Read Data Fifo Empty. Active high only when the read data FIFO is empty.
VFBC<Port_Num>_Rd_Almost_Empty	Output	1	Read Data Fifo Almost Empty. Active high only when the read data FIFO is almost empty. Controlled by the C_VFBC<Port_Num>_RD_AEMPTY_WD_AFULL_COUNT parameter.

1. The VFBC Reset and Flush inputs must be held high for at least two MPMC_Clk0 cycles. Because these inputs could be controlled from a different clock domain than the MPMC_Clk0, the relative frequency of the reset/flush clock domain must be taken into account when determining the number of clock cycles to assert the reset or flush and to wait after reset or flush. The following equation is used to determine the number of clock cycles to hold the reset or flush input high: $2 * (VFBC_Clk_Freq / MPMC_Clk0_Freq)$
2. After reset, there should not be any accesses to the VFBC interfaces for 6 MPMC_Clk cycles.
3. After flush, there should not be any accesses to the VFBC interfaces for 6 MPMC_Clk cycles.

MCB PIM I/O Signals

Table 25 lists the MCB PIM I/O signals.

Table 25: MCB PIM I/O Signals (Spartan-6 Only)

Signal Name	Direction	Init Status	Description
MCB<Port_Num>_cmd_bl[5:0]	Input	X	Command FIFO Burst Length.
MCB<Port_Num>_cmd_byte_addr[29:0]	Input	X	Command FIFO Address.
MCB<Port_Num>_cmd_clk	Input	X	Command FIFO Clock.
MCB<Port_Num>_cmd_en	Input	X	Command FIFO Enable.
MCB<Port_Num>_cmd_empty	Output	1	Command FIFO Empty Flag.
MCB<Port_Num>_cmd_full	Output	0	Command FIFO Full Flag.
MCB<Port_Num>_cmd_instr[2:0]	Input	X	Command FIFO Instruction.
MCB<Port_Num>_rd_clk	Input	X	Read FIFO Clock.
MCB<Port_Num>_rd_en	Input	X	Read FIFO Enable.
MCB<Port_Num>_rd_data [C_PIM<Port_Num>_DATA_WIDTH-1:0]	Output	X	Read FIFO Data.
MCB<Port_Num>_rd_full	Output	0	Read FIFO Full Flag.
MCB<Port_Num>_rd_empty	Output	1	Read FIFO Empty Flag.
MCB<Port_Num>_rd_count[6:0]	Output	0	Read FIFO Count.
MCB<Port_Num>_rd_overflow	Output	0	Read FIFO Overflow Flag.
MCB<Port_Num>_rd_error	Output	0	Read FIFO Error Flag.
MCB<Port_Num>_wr_clk	Input	X	Write FIFO Clock.
MCB<Port_Num>_wr_count[6:0]	Output	0	Write FIFO Count.

Table 25: MCB PIM I/O Signals (Spartan-6 Only)

Signal Name	Direction	Init Status	Description
MCB<Port_Num>_wr_data [C_PIM<Port_Num>_DATA_WIDTH-1:0]	Input	X	Write FIFO Data.
MCB<Port_Num>_wr_empty	Output	1	Write FIFO Empty Flag.
MCB<Port_Num>_wr_en	Input	X	Write FIFO Enable.
MCB<Port_Num>_wr_error	Output	0	Write FIFO Error Flag.
MCB<Port_Num>_wr_full	Output	0	Write FIFO Full Flag.
MCB<Port_Num>_wr_mask [C_PIM<Port_Num>_DATA_WIDTH/8-1:0]	Input	X	Write FIFO Mask.
MCB<Port_Num>_wr_underrun	Output	0	Write FIFO Underrun Flag.

Parameter and I/O Signal Dependencies

Table 26 lists the MPMC parameter and I/O signal dependencies.

Table 26: MPMC Dependencies

Parameter Name	Affects Signal	Relationship Description
C_DDR2_DQSN_ENABLE	DDR2_DQS_n	Controls visibility of the differential DQS_n signal.
C_FAMILY	selfrefresh_enter selfrefresh_mode calib_recal MPMC_PLL_Lock MPMC_Clk_Mem_2x MPMC_Clk_Mem_2x_180 MPMC_Clk_Mem_2x_CE0 MPMC_Clk_Mem_2x_CE90	Spartan-6 only.
C_FAMILY	MPMC_Clk_Rd_Base	Virtex-6 only.
C_FAMILY C_MEM_TYPE	SDRAM_* DDR_* DDR2_* DDR3_* mcbx_*	Only one set of these ports are available depending on C_MEM_TYPE setting.
C_FAMILY C_USE_STATIC_PHY C_MEM_TYPE	MPMC_Clk_Mem MPMC_DCM_PSEN MPMC_DCM_PSINC_DEC MPMC_DCM_PS_DONE	Signals are available only if C_USE_STATIC_PHY = 1 or if using Virtex-6 or SDRAM memory.
C_FAMILY C_USE_STATIC_PHY C_MEM_TYPE	MPMC_Clk0_DIV2	This signal is available only when C_FAMILY is virtex5, C_USE_STATIC_PHY is 0 and C_MEM_TYPE is DDR2.
C_FAMILY C_USE_STATIC_PHY C_MEM_TYPE	MPMC_Clk_200MHz MPMC_Idelayctrl_Rdy_I MPMC_Idelayctrl_Rdy_O	These signals are available if C_FAMILY is virtex4, C_USE_STATIC_PHY is 0, and C_MEM_TYPE is not SDRAM.
C_MEM_ADDR_WIDTH	mcbx_dram_addr DDR3_Addr DDR2_Addr DDR_Addr SDRAM_Addr	Width of address to memory.

Table 26: MPMC Dependencies (Cont'd)

Parameter Name	Affects Signal	Relationship Description
C_MEM_BANKADDR_WIDTH	mcbx_dram_ba DDR3_BankAddr DDR2_BankAddr DDR_BankAddr SDRAM_BankAddr	Width of bank address to memory.
C_MEM_CE_WIDTH	DDR3_CE DDR2_CE DDR_CE SDRAM_CE	Number of clock enable outputs.
C_MEM_CLK_WIDTH	DDR3_Clk DDR3_Clk_n DDR2_Clk DDR2_Clk_n DDR_Clk DDR_Clk_n SDRAM_Clk	Number of clock/inverted/clock pair outputs.
C_MEM_CS_N_WIDTH	DDR3_CS_n DDR2_CS_n DDR_CS_n SDRAM_CS_n	Number of chip select output.
C_MEM_DATA_WIDTH C_ECC_DATA_WIDTH	mcbx_dram_dq DDR3_DQ DDR2_DQ DDR_DQ SDRAM_DQ	Width of data at memory interface.
C_MEM_DM_WIDTH C_ECC_DM_WIDTH	DDR3_DM DDR2_DM DDR_DM SDRAM_DM	Width of data mask bits at memory interface.
C_MEM_DQS_WIDTH C_ECC_DQS_WIDTH	DDR3_DQS DDR3_DQS_n DDR2_DQS DDR2_DQS_n DDR_DQS	Width of data strobe bits at memory interface.
C_MEM_ODT_WIDTH	DDR3_ODT DDR2_ODT	Width of ODT bits to memory.
C_NUM_PORTS	PIM<Port_Num>_*	Determines number of ports attached to MPMC.
C_INCLUDE_ECC_SUPPORT	MPMC_ECC_Intr	Interrupt output available only if C_INCLUDE_ECC_SUPPORT = 1.
C_FAMILY C_MEM_CALIBRATION_SOFT_IP	rzq zio	When C_MEM_CALIBRATION_SOFT_IP = TRUE and device family is Spartan-6, rzq and zio I/O pins are actively used.

PLB v4.6 Bus Parameter and I/O Signal Dependencies

Table 27 lists the parameter and I/O signal dependencies for the slave PLB PIM, as well as for the slave PLB control interfaces on the SDMA and MPMC. The slave PLB bus names on the SDMA and MPMC are `SDMA_CTRL` and `MPMC_CTRL`, respectively. See the "I/O Signals," page 25 for parameter prefix options.

Table 27: PLB v4.6 PIM Dependencies

Parameter	Affects	Relationship Description
C_SPLB<Port_Num>_SUPPORT_BURSTS	C_PIM<Port_Num>_SUBTYPE	C_PIM<Port_Num>_SUBTYPE must be set to PLB when C_SPLB<Port_Num>_SUPPORT_BURSTS = 1 if the desired PIM must support single, cacheline, and burst transactions.
		C_PIM<Port_Num>_SUBTYPE must be set to PLB when C_SPLB<Port_Num>_SUPPORT_BURSTS = 0 if the desired PIM must support single transactions only.
C_SPLB<Port_Num>_SMALLEST_MASTER	C_SPLB<Port_Num>_NATIVE_DWIDTH	See "Supported PLB Master and Bus Widths," page 170.
C_PIM<Port_Num>_SUBTYPE	C_SPLB<Port_Num>_SUPPORT_BURSTS	C_SPLB<Port_Num>_SUPPORT_BURSTS must be set to 1 when C_PIM<Port_Num>_SUBTYPE = PLB for the PIM to support single, cacheline, and burst transactions.
		C_SPLB<Port_Num>_SUPPORT_BURSTS must be set to 0 when C_PIM<Port_Num>_SUBTYPE = PLB for the PIM to support single transactions only.
	C_SPLB<Port_Num>_NATIVE_DWIDTH	When C_PIM<Port_Num>_SUBTYPE = PLB, C_SPLB<Port_Num>_NATIVE_DWIDTH can be 32 or 64. When C_PIM<Port_Num>_SUBTYPE = DPLB or IPLB, C_SPLB<Port_Num>_NATIVE_DWIDTH must be set to 64.
C_PIM<Port_Num>_OFFSET	SPLB<Bus_Name>_PLB_ABus	Access to memory is at address the of SPLB<Port_Num>_ABus plus C_PIM<Port_Num>_OFFSET.
Dependencies Applying to all Slave I/O Signals		
<Bus_Name>_AWIDTH	<Bus_Name>_PLB_ABus	Width of the PLB Address Bus.
C_<Bus_Name>_DWIDTH	<Bus_Name>_PLB_wrDBus	Width of the PLB Write Data Bus.
	<Bus_Name>_SI_rdDBus	Width of the PLB Read Data Bus.
	<Bus_Name>_PLB_BE	<Bus_Name>_PLB_BE = C_<Bus_Name>_DWIDTH/8.
C_<Bus_Name>_MID_WIDTH	<Bus_Name>_PLB_masterID	Width of the PLB Master ID Bus.

NPI Parameter and I/O Signal Dependencies

Table 28 lists the NPI parameter and I/O signal dependencies.

Table 28: NPI Parameter and I/O Signal Dependencies

Parameter Name	Affects Signals	Relationship Description
C_PIM<Port_Num>_DATA_WIDTH	PIM<Port_Num>_WrFIFO_Data PIM<Port_Num>_WrFIFO_BE PIM<Port_Num>_RdFIFO_Data	Width of the data at each port and corresponding byte enable.

Control and Status Registers

The MPMC pcore might contain various status and control registers depending on the configuration options.

These are all controlled through a single PLB v.46 interface designated MPMC_CTRL.

Additionally, each SDMA PIM also contains its own control and status register PLB v.46 interface to control the operation of DMA. The MPMC_CTRL interface is composed of the following sections:

- [ECC Register Summary](#)
- [Static PHY Register Summary](#)
- [MIG PHY Debug Register Summary](#)
- [Status Register Summary](#)
- [Performance Monitor Register Summary](#)
- [SDMA Register Summary](#)

ECC Register Summary

The following registers are available only when ECC is enabled. Refer to "ECC Registers," page 80 for detailed ECC register information.

Table 29: ECC Register Descriptions

MPMC_CTRL Base Address + Offset (hex)	Register Name	Access Type	Default Value (hex)	Description
ECC Core				
C_MPMC_CTRL_BASEADDR + 0x0	ECCC ⁽¹⁾	R/W ⁽⁶⁾	00000000 ⁽³⁾	ECC Control register.
C_MPMC_CTRL_BASEADDR + 0x4	ECCS ⁽¹⁾	R/ROW ⁽²⁾	00000000	ECC Status register.
C_MPMC_CTRL_BASEADDR + 0x8	ECCSEC ⁽¹⁾	R/ROW ⁽²⁾	00000000	ECC Single Bit Error Count register.
C_MPMC_CTRL_BASEADDR + 0xC	ECCDEC ⁽¹⁾	R/ROW ⁽²⁾	00000000	ECC Double Bit Error Count register.
C_MPMC_CTRL_BASEADDR + 0x10	ECCPEC ⁽¹⁾	R/ROW ⁽²⁾	00000000	ECC Parity Field Single Bit Error Count register.
C_MPMC_CTRL_BASEADDR + 0x14	ECCADDR ⁽¹⁾	RO ⁽⁵⁾	N/A	ECC Error Address register.
ECC ISC				
C_MPMC_CTRL_BASEADDR + 0x1C	DGIE ⁽¹⁾	R/W	00000000	ECC Device Global Interrupt Enable register.

Table 29: ECC Register Descriptions (Cont'd)

MPMC_CTRL Base Address + Offset (hex)	Register Name	Access Type	Default Value (hex)	Description
C_MPMC_CTRL_BASEADDR + 0x20	IPIS ⁽¹⁾	R/TOW ⁽⁴⁾	00000000	ECC IP Interrupt Status register.
C_MPMC_CTRL_BASEADDR + 0x24	IPIE ⁽¹⁾	R/W	00000000	ECC IP Interrupt Enable register.

1. Used when C_INCLUDE_ECC_SUPPORT = 1 only
2. ROW = Reset On Write. A write operation resets the register
3. Reset condition of ECCCR depends on the value of parameter C_ECC_DEFAULT_ON
4. TOW = Toggle On Write. Writing 1 to a bit position within the register causes the corresponding bit position in the register to toggle
5. RO = Read Only
6. R/W = Read/Write

Static PHY Register Summary

Note: This register is available only when the Static PHY is enabled. Refer to "Static PHY Interface," page 116 for more information regarding Static PHY.

Table 30: Static PHY Register Summary

Summary Grouping	MPMC_CTRL Base Address + Offset (hex)	Register Name	Access Type	Default Value (hex)	Description
Static PHY	C_MPMC_CTRL_BASEADDR + 0x1000	SPIR	R/W	Based on parameter settings	Static PHY Control Register.

MIG PHY Debug Register Summary

The MIG PHY debug registers allow for software-based access into MIG PHY calibration logic, which lets you read or change the PHY calibration settings. This feature is useful for board bring-up, debug of a memory interface, and margin analysis. MIG PHY Debug registers are available on Spartan-3, Virtex-4, and Virtex-5 only.

These MIG debug registers provide access points into the MIG PHY calibration logic. For more information about the MIG calibration registers and calibration algorithm, refer to the *Memory Interface Solution User Guide* and the Application Notes XAPP701, *Virtex-4 DDR1/DDR2*; XAPP768c, *Spartan-3 DDR1*; XAPP454, *Spartan-3 DDR2*; XAPP851, *Virtex-5 DDR1*; or XAPP858, *Virtex-5 DDR2*. The "Reference Documents," page 234 contains links to these documents.

To use the MPMC debug registers and to understand the function of these registers, you need to be familiar with these MIG documents. Also, refer to the sample software applications located at:

```
<EDK Install>/sw/XilinxProcessorIPLib/drivers/mpmc_<latest_version>/examples/mpmc_debug*.c.
```

Table 31: Debug Register Summary

Summary Grouping	MPMC_CTRL Base Address + Offset (hex)	Register Name	Access Type	Default Value (hex)	Description
MIG PHY	C_MPMC_CTRL_BASEADDR + 0x2000	See "Common MIG PHY Debug Registers," page 45	See "Common MIG PHY Debug Registers," page 45	Based on parameter settings	MIG PHY Debug Registers

Table 32 through Table 35 list the debug registers that are common to all devices and debug registers that are device-specific. The address offset listed in these tables should be added to C_MPMC_CTRL_BASEADDR to calculate the address location of these registers.

Common MIG PHY Debug Registers

Table 32: Common MIG PHY Debug Registers

Register Name Base Address/ Offset from C_MPMC_CTRL BASEADDR (in hex)	Bits 0:31	Field Name	Access Type	Default Value	Description	
CALIB_RST_CTRL	0x2000	0:30	unused			
		31	REG_DEFAULT_ON_RST	R/W	1	0 = MPMC reset does not change control registers. 1 = Upon MPMC reset, set all calibration control registers back to default values (except this register).
The following registers are only valid if C_INCLUDE_ECC_SUPPORT = 1						
ECC_DEBUG	0x2010	0	ECC_BYTE_ACCESS_EN	R/W	0	0 = ECC byte data is controlled by the normal ECC logic. 1 = Enable debug access to the ECC byte lane to read/write the ECC byte data directly.
		1:31	unused			
ECC_READ_DATA	0x2014	0:7	ECC Read Data0	R	0	Data read from ECC byte lane on the first byte of the data in the 4 beat memory burst.
		8:15	ECC Read Data1	R	0	Data read from ECC byte lane on the second byte of the data in the 4 beat memory burst.
		16:23	ECC Read Data2	R	0	Data read from ECC byte lane on the third byte of the data in the four beat memory burst.
		24:31	ECC Read Data3	R	0	Data read from ECC byte lane on the fourth byte of the data in the four beat memory burst.
ECC_WRITE_DATA	0x2018	0:7	ECC Write Data0	R/W	0	First byte of ECC data in the four beat memory burst to be written out.
		8:15	ECC Write Data1	R/W	0	Second byte of ECC data in the four beat memory burst to be written out.
		16:23	ECC Write Data2	R/W	0	Third byte of ECC data in the four beat memory burst to be written out.
		24:31	ECC Write Data3	R/W	0	Fourth byte of ECC data in the four beat memory burst to be written out.

Spartan-3 MIG PHY Debug Registers

Table 33: Spartan-3 MIG PHY Debug Registers

Register Name Base Address/ Offset from C_MPMC_CTRL BASEADDR (in hex)	Bits 0:31	Field Name	Access Type	Default Value	Description	
S3_CALIB_REG	0x2040	0:6	unused			
		7	VIO_OUT_DQS_EN	R/W	0	Enable signal for strobe tap selection. 0 = not enabled 1 = enabled
		8:10	unused			
		11:15	VIO_OUT_DQS	R/W	01111	Used to change the tap values for strobes.
		16:22	unused			
		23	VIO_OUT_RST_DQS_DIV_EN	R/W	0	Enable signal for RST_DQS_DIV tap selection. 0 = not enabled 1 = enabled
		24:26	unused			
		27:31	VIO_OUT_RST_DQS_DIV	R/W	01111	Used to change the tap values for RST_DQS_DIV.
S3_CALIB_STATUS	0x2044	0:2	unused			
		3:7	DBG_DELAY_SEL	R		Tap value from the calibration logic used to delay the strobe and RST_DQS_DIV.
		8:10	unused			
		11:15	DBG_PHASE_CNT	R		Phase count gives the number of LUTs in the clock phase.
		16:17	unused			
		18:23	DBG_CNT	R		Counter used in the calibration logic.
		24	unused			
		25	DBG_TRANS_ONEDTCT	R		Asserted when the first transition is detected.
		26	DBG_TRANS_TWODTCT	R		Asserted when the second transition is detected.
		27	DBG_ENB_TRANS_TWODTCT	R		Enable signal for DBG_TRANS_TWODTCT. Related MIG PHY signal = PHY_INIT_DONE.
28:31	unused					

Virtex-4 MIG PHY Debug Registers

Table 34: Virtex-4 MPMC MIG PHY Debug Registers

Register Name Base Address/ Offset from C_MPMC_CTRL BASEADDR (in hex)	Bits 0:31	Field Name	Access Type	Default Value	Description	
V4_CALIB_REG	0x2100	0:5	unused			
		6	IDELAYCTRL_RDY_O	R	0	Status of MPMC_Idelayctrl_Rdy_O 0 = not ready 1 = ready
		7	IDELAYCTRL_RDY_I	R	0	Status of MPMC_Idelayctrl_Rdy_I 0 = not ready 1 = ready
		8:12	unused			
		13	FORCE_INITDONE	R/W	0	1 = Force MPMC INIT_DONE signal to be equal to FORCE_INITDONEVAL 0 = Allow hardware calibration engine to drive MPMC INIT_DONE signal
V4_CALIB_REG	0x2100	14	FORCE_INITDONE_VAL	R/W	0	Value to set MPMC INIT_DONE when FORCE_INITDONE = 1. 0 = not done 1 = done
		15	MIG_INIT_DONE	R	0	0 = incomplete 1 = MIG_HW_CALIBRATION initialization is complete. <i>Note:</i> HW calibration could be complete but the INIT_DONE signal from the PIM might be masked by the FORCE_INITDONE signal. Related MIG PHY signal: PHY_INIT_DONE
		16:30	unused			
		31	HW_CALIB_ON_RESET	R/W	1	Calibrate HW upon reset. 0 = Do not run hardware calibration engine upon MPMC reset 1 = Start memory hardware calibration engine upon MPMC reset

Table 34: Virtex-4 MPMC MIG PHY Debug Registers (Cont'd)

Register Name Base Address/ Offset from C_MPMC_CTRL BASEADDR (in hex)	Bits 0:31	Field Name	Access Type	Default Value	Description	
V4_CALIB_STATUS	0x2104	0:5	unused			
		6	SEL_DONE	R	0	Indicates calibration process of center-aligning DQS with respect to clock is complete. 0 = not done 1 = done Related MIG PHY signal: SEL_DONE
		7:15	DONE_STATUS	R	0	Tap control and pattern compare calibration completion status, 1 bit plus 1 bit per DQS bit. 0 = calibration not complete 1 = calibration complete Related MIG PHY signals: COMP_DONE COMP_ERROR
		16:22	unused			
		23:31	ERR_STATUS	R	0	4-bit calibration error status. 0 = error 1 = no error Related MIG PHY signal: COMP_ERR
V4_CALIB_DQS_ GROUP0 . . . V4_CALIB_DQS_ GROUP8	0x2140 ... 0x2160	0:7	DQ_IN_BYTE_ALIGN<n>	R/W	0	Calibration bit alignment of 8 bits within the byte. 0 = bits aligned or align bits 1 = no bit alignment Related MIG PHY signal: DELAY_ENABLE
		11:15	RDEN_DLY<n>	R/W	0	Number of cycles after read command until read data is valid for DQS group<n>. Related MIG PHY signal: CLK_COUNT
		16:29	unused			
		30	DELAY_RD_FALL<n>	R/W		Indicates relative alignment of bytes for DQS group<n>. Related MIG PHY signal: DELAY_RD_FALL
		31	RD_SEL<n>	R/W	0	Final read capture MUX set for positive or negative edge capture for DQS group<n>. Related MIG PHY signal: FIRST_RISING

Table 34: Virtex-4 MPMC MIG PHY Debug Registers (Cont'd)

Register Name Base Address/ Offset from C_MPMC_CTRL BASEADDR (in hex)	Bits 0:31	Field Name	Access Type	Default Value	Description	
V4_CALIB_DQS_ TAP_GROUP0 . . . V4_CALIB_DQS_ TAP_GROUP8	0x2180 . . . 0x21a0	0:6	unused			
		7	DQS_TAP_CNT_INC<n>	Wr Only	N/A	DQS<n> IDELAY tap count increment, 1 tap increment per write.
		8:14	unused			
		15	DQS_TAP_CNT_DEC<n>	Wr Only	N/A	DQS<n>IDELAY tap count decrement, 1 tap decrement per write.
		16:25	unused			
		26:31	DQS_TAP_CNT<n>	R	0	DQS<n>IDELAY tap count. 0 = Pass 1 = Fail
V4_CALIB_DQ_ TAP_COUNT<n>	0x2200 . . . 0x231c	0:22	unused			
		23	DQ_DELAY_EN<n>	W	0	DQ<n> alignment of bits within a byte lane
		24:31	unused			

Virtex-5 MIG PHY Debug Registers

Table 35: Virtex-5 MIG PHY Debug Registers

Register Name Base Address/ Offset from C_MPMC_CTRL BASEADDR (in hex)	Bits 0:31	Field Name	Access Type	Default Value	Description	
V5_CALIB_REG	0x2400	0:5	unused			
		6	IDELAYCTRL_RDY_O	R	0	Status of MPMC_Idelayctrl_Rdy_O. 0 = not ready 1 = ready
		7	IDELAYCTRL_RDY_I	R	0	Status of MPMC_Idelayctrl_Rdy_I. 0 = not ready 1 = ready
		8:12	unused			
		13	FORCE_INITDONE	R/W	0	0 = Allow hardware calibration engine to drive MPMC INIT_DONE signal. 1 = Force MPMC INIT_DONE signal to be equal to FORCE_INITDONEVAL.
		14	FORCE_INITDONE_VAL	R/W	0	Value to set MPMC INIT_DONE when FORCE_INITDONE = 1.

Table 35: Virtex-5 MIG PHY Debug Registers (Cont'd)

Register Name Base Address/ Offset from C_MPMC_CTRL BASEADDR (in hex)	Bits 0:31	Field Name	Access Type	Default Value	Description
V5_CALIB_REG 0x2400	15	MIG_INIT_DONE	R	0	0 = incomplete. 1 = MIG_HW_CALIBRATION initialization is complete; <i>Note:</i> HW calibration could be complete but the INIT_DONE signal from the PIM might be masked by the FORCE_INITDONE signal.
	16:30	unused			
	31	HW_CALIB_ON_RESET	R/W	1	Calibrate HW upon reset. 1 = Start memory hardware calibration engine upon MPMC reset 0 = Do not run hardware calibration engine upon MPMC reset
V5_CALIB_STATUS 0x2404	0	unused			
	1:7	BIT_ERR_INDEX	R	0	When a calibration error is reported, this field indicates which bit DQ is failing.
	8:11	unused			
	12:15	DONE_STATUS	R	0	4-bit calibration completion status: 0 = Incomplete 1 = Complete
	16:27	unused			
	28:31	ERR_STATUS	R	0	4-bit calibration error status. 0 = no error 1 = error
V5_CALIB_DQS_GROUP0 . . . V5_CALIB_DQS_GROUP8 0x2440 . . . 0x2460	0:10	unused			
	11:15	RDEN_DLY<n>	R/W	0	Number of cycles after read command until read data is valid for DQS group<n>.
	16:18	unused			
	19:23	GATE_DLY<n>	R/W	0	Number of cycles after read command until clock enable for DQ byte group is deasserted to prevent postamble glitch for DQS group <n>.
	24:30	unused			
	31	RD_SEL<n>	R/W	0	Final read capture MUX set for positive or negative edge capture for DQS group<n>: 0 = Pass 1 = Fail

Table 35: Virtex-5 MIG PHY Debug Registers (Cont'd)

Register Name Base Address/ Offset from C_MPMC_CTRL BASEADDR (in hex)	Bits 0:31	Field Name	Access Type	Default Value	Description	
V5_CALIB_DQS_TAP_CNT0 . . . V5_CALIB_DQS_TAP_CNT8	0x2480 . . . 0x24A0	0:6	unused			
		7	DQS_TAP_CNT_INC<n>	Wr Only	N/A	DQS<n> IDELAY tap count increment, 1 tap increment per write.
		8:14	unused			
		15	DQS_TAP_CNT_DEC<n>	Wr Only	N/A	DQS<n> IDELAY tap count decrement, 1 tap decrement per write.
		16:25	unused			
	26:31	DQS_TAP_CNT<n>	R	0	DQS<n> IDELAY tap count. 0 = Pass 1 = Fail	
V5_CALIB_GATE_TAP_CNT0 . . . V5_CALIB_GATE_TAP_CNT8	0x24c0 . . . 0x24e0	0:6	unused			
		7	GATE_TAP_CNT_INC<n>	Wr Only	N/A	GATE<n> IDELAY tap count increment, 1 tap increment per write.
		8:14	unused			
		15	GATE_TAP_CNT_DEC<n>	Wr Only	N/A	GATE<n> IDELAY tap count decrement, 1 tap decrement per write.
		16:25	unused			
	26:31	GATE_TAP_CNT<n>	R	0	GATE<n> IDELAY tap count.	
V5_CALIB_DQ_TAPCNT0 . . . V5_CALIB_DQ_TAP_CNT71	0x2600 . . . 0x271c	0:6	unused			
		7	DQ_TAP_CNT_INC<n>	Wr Only	N/A	DQ[<n>] IDELAY tap count increment, 1 tap increment per write.
		15	DQ_TAP_CNT_DEC<n>	Wr Only	N/A	DQ<n> IDELAY tap count decrement, 1 tap decrement per write.
		16:25	unused			
		26:31	DQ_TAP_CNT<n>	R	0	DQ<n> IDELAY tap count.

Status Register Summary

The MPMC Status register is available only when one of set of registers is enabled. It consists of a single Read-only register that displays static information about MPMC that is useful for software to read to obtain hardware configuration information. [Table 37](#) through [Table 39](#) provide the MPMC status register and bit definitions.

Table 36: MPMC Status Register Description

MPMC_CTRL Base Address + Offset (hex)	Register Name	Access Type	Default value (hex)	Description
C_MPMC_CTRL_BASEADDR + 0x3000	MCSR0	RO	N/A	MPMC Ctrl Status Register 0

Table 37: MCSR0 Bit Definitions

Bit(s)	Field Name	Core Access	Default Value	Description
0	ECC CTRL Interface Present	R	x	1 = MPMC has been synthesized with <code>C_INCLUDE_ECC_SUPPORT = 1</code> and the error correcting code registers are present.
				0 = MPMC has been synthesized with <code>C_INCLUDE_ECC_SUPPORT = 0</code> and the error correcting code registers are not present.
1	Static PHY CTRL Interface Present	R	x	1 = MPMC has been synthesized with <code>C_USE_STATIC_PHY = 1</code> and the Static PHY registers are present.
				0 = MPMC has been synthesized with <code>C_USE_STATIC_PHY = 0</code> and the Static PHY registers are not present.
2	Debug Registers CTRL Interface Present	R	x	1 = MPMC has been synthesized with <code>C_DEBUG_ENABLE = 1</code> and the Debug registers are present.
				0 = MPMC has been synthesized with <code>C_DEBUG_ENABLE = 0</code> and the Debug registers are not present.
3	MPMC_CTRL Status Interface Present	R	1	1 = MPMC has been synthesized with <code>C_INCLUDE_ECC_SUPPORT = 1</code> and/or <code>C_USE_STATIC_PHY = 1</code> and/or <code>C_DEBUG_ENABLE = 1</code> and/or <code>C_PM_ENABLE = 1</code>
				0 = MPMC has not been synthesized with the MPMC_CTRL interface (not possible)
4:6	Reserved	R	x	Reserved
7	PM CTRL Interface Present	R	x	1 = MPMC has been synthesized with <code>C_PM_ENABLE = 1</code> and the Performance Monitor registers are present.
				0 = MPMC has been synthesized with <code>C_PM_ENABLE = 0</code> and the Performance Monitor registers are not present.
8:15	Reserved	R	x	Reserved
16:19	Memory Type	R	x	External Memory Type: 0x0 = SDRAM 0x1 = DDR 0x2 = DDR2

Table 37: MCSR0 Bit Definitions (Cont'd)

Bit(s)	Field Name	Core Access	Default Value	Description
20:23	Memory Width (not including ECC Data Bits)	R	x	External Memory Interface Width: 0x3 = 8 bits 0x4 = 16 bits 0x5 = 32 bits 0x6 = 64 bits
24	Reserved	R	x	Reserved
25:27	Number of Ports	R	x	Number of Ports: 0x0 = 1 port 0x1 = 2 port 0x2 = 3 ports 0x3 = 4 ports 0x4 = 5 ports 0x5 = 6 ports 0x6 = 7 Ports 0x7 = 8 ports
28:31	Device Family	R	x	Device Family: 0x0 = Spartan-3 0x1 = Virtex-4 0x2 = Virtex-5 0xF = Unknown Family

Performance Monitor Register Summary

Note: These registers are available only when a Performance Monitor (PM) is enabled. Refer to "[Performance Monitor Registers](#)," page 88 for detailed Performance Monitor register information.

Table 38: Performance Monitor Register Summary

MPMC_CTRL Base Address + Offset (hex)	Register Name	Access Type	Default value (hex)	Description
PM CONTROL				
C_MPMC_CTRL_BASEADDR + 0x7000	PMCTRL	R/W	00000000	PM Control Register.
C_MPMC_CTRL_BASEADDR + 0x7004	PMCLR	W	00000000	PM Clear Register.
C_MPMC_CTRL_BASEADDR + 0x7008	PMSTATUS	R/TOW	00000000	PM Status Register.
PM DATA				
C_MPMC_CTRL_BASEADDR + 0x7010	PMGCC	R	0000000000000000 ⁽¹⁾	PM Global Cycle Counter.
C_MPMC_CTRL_BASEADDR + 0x7020	PM0_DCC	R	0000000000000000 ⁽²⁾	PM Dead Cycle Counter Port 0.
C_MPMC_CTRL_BASEADDR + 0x7028	PM1_DCC	R	0000000000000000 ⁽²⁾	PM Dead Cycle Counter Port 1.
C_MPMC_CTRL_BASEADDR + 0x7030 – C_MPMC_CTRL_BASEADDR + 0x7050	PM2_DCC – PM6_DCC	R	0000000000000000 ⁽²⁾	PM Dead Cycle Counter Port 2-6.
C_MPMC_CTRL_BASEADDR + 0x7058	PM7_DCC	R	0000000000000000 ⁽²⁾	PM Dead Cycle Counter Port 7.
C_MPMC_CTRL_BASEADDR + 0x8000	PM0_DATABIN0	R	0000000000000000 ⁽³⁾	PM Port 0, Data Bin 0.
C_MPMC_CTRL_BASEADDR + 0x8008	PM0_DATABIN1	R	0000000000000000 ⁽³⁾	PM Port 0, Data Bin 1,

Table 38: Performance Monitor Register Summary (Cont'd)

MPMC_CTRL Base Address + Offset (hex)	Register Name	Access Type	Default value (hex)	Description
C_MPMC_CTRL_BASEADDR + 0x8010 - C_MPMC_CTRL_BASEADDR + 0x8FF8	PM0_DATABIN2 – PM0_DATABIN511	R	0000000000000000 ⁽³⁾	PM Port 0, Data Bin 2. PM Port 0, Data Bin 511,
C_MPMC_CTRL_BASEADDR + 0x9000 - C_MPMC_CTRL_BASEADDR + 0xFF8	PM1_DATABIN0 – PM7_DATABIN511	R	0000000000000000 ⁽³⁾	PM Port 1, Data Bin 0. PM Port 7, Data Bin 511.

1. The size of this register is 64 bits and is determined by the `C_PM_GC_WIDTH` parameter. If this parameter is less than 64 bits, the MSB is padded with 0s.
2. The sizes of these registers are 64 bits and are determined by the `C_PM_DC_WIDTH` parameter. If this parameter is less than 64 bits, the MSB is padded with 0s.
3. The size of this register is 64 bits, the data bins only hold 36 bins, therefore the upper MSBs are padded with 0s.

SDMA Register Summary

The Service Base Address varies based on the setting of parameter `C_ALL_PIMS_USE_SHARED_ADDRESSES`:

- If set to 0, the Service Base Address is located at `C_SDMA_CTRL<Port_Num>_BASEADDR`.
- If set to 1, each port shares the same base address of `C_SDMA_CTRL_BASEADDR` (with no `<Port_Num>` specified), and the Service Base Address for each Port is defined as follows:
 - Port 0: `C_SDMA_CTRL_BASEADDR + 0x0`
 - Port 1: `C_SDMA_CTRL_BASEADDR + 0x80`
 - Port 2: `C_SDMA_CTRL_BASEADDR + 0x100`
 - Port 3: `C_SDMA_CTRL_BASEADDR + 0x180`
 - Port 4: `C_SDMA_CTRL_BASEADDR + 0x200`
 - Port 5: `C_SDMA_CTRL_BASEADDR + 0x280`
 - Port 6: `C_SDMA_CTRL_BASEADDR + 0x300`
 - Port 7: `C_SDMA_CTRL_BASEADDR + 0x380`

Table 39, page 55 shows the SDMA registers and the PLB address offset from the Service Base Address assignment with the allowed access to that register. These registers are available only when an SDMA interface is enabled. Refer to "SDMA Registers," page 161 for SDMA register information.

Table 39: SDMA Registers and PLB Address Offsets from Service Base Address

PLB Address Offset from Service Base Address Assignment	Register Name	Access Type	Default Value (hex)	Description
Transmit Registers				
0x00	TX_NXTDESC_PTR	R	00000000	TX Next Descriptor Pointer.
0x04	TX_CURBUF_ADDR	R	00000000	TX Current Buffer Address.
0x08	TX_CURBUF_LENGTH	R	00000000	TX Current Buffer Length.
0x0C	TX_CURDESC_PTR	R/W	00000000	TX Current Descriptor Pointer.
0x10	TX_TAILDESC_PTR	R/W	00000000	TX Tail Descriptor Pointer.
0x14	TX_CHNL_CTRL	R/W	00000000	TX Channel Control.
0x18	TX_IRQ_REG	R/W	00FF0000	TX Interrupt Register.
0x1C	TX_CHNL_STS	R	00000000	TX Status Register.
Receive Registers				
0x20	RX_NXTDESC_PTR	R	00000000	RX Next Descriptor Pointer.
0x24	RX_CURBUF_ADDR	R	00000000	RX Current Buffer Address.
0x28	RX_CURBUF_LENGTH	R	00000000	RX Current Buffer Length.
0x2C	RX_CURDESC_PTR	R/W	00000000	RX Current Descriptor Pointer.
0x30	RX_TAILDESC_PTR	R/W	00000000	RX Tail Descriptor Pointer.
0x34	RX_CHNL_CTRL	R/W	00000000	RX Channel Control.
0x38	RX_IRQ_REG	R/W	00FF0000	RX Interrupt Register.
0x3C	RX_CHNL_STS	R	00000000	RX Status Register.
Control Registers				
0x40	DMA_CONTROL_REG	R/W	0000001C	DMA Control Register.

Getting Started with MPMC

This section provides an overview of MPMC usage, typically consisting of the following tasks, that are detailed in subsections:

- [FPGA and Memory Device Selection](#)
- [Initial Instantiation and System Assembly](#)
- [Choosing a Physical Interface](#)
- [Board Considerations](#)
- [Choosing Personality Interface Modules](#)
- [Upgrading MPMC Versions](#)

FPGA and Memory Device Selection

Prior to using the MPMC, it is advisable to understand and evaluate its capabilities for a given application.

- For applicable FPGA and memory device support, refer to "[MPMC Architecture-Specific Features](#)," [Table 1, page 2](#). This table lists the supported memory widths.
- For MPMC clock frequency expectations, see "[MPMC Operational Frequencies](#)". Some general user clocking restrictions are also introduced in this section.
- For overall throughput estimates, see "[Choosing Personality Interface Modules](#)".

Initial Instantiation and System Assembly

Once you select a family and memory device you can start to create an MPMC system. The most efficient way to create an initial system is to use the EDK XPS Base System Builder (BSB) wizard. You can invoke BSB by creating a new XPS project. See *EDK Concept Tools and Techniques (UG683)* for more information on BSB and general XPS tool usage. A link is provided in "[Reference Documents](#)," [page 234](#).

When you are using the BSB, consider choosing an existing demonstration board as the initial BSB project. While it is possible to create a custom board through BSB, the resulting project lacks the demonstration board benefit of a complete example UCF and hardware testing. Choose the demonstration board first by FPGA family and then by similar memory type.

Choosing a Physical Interface

A Physical Interface layer (PHY) performs the calibration and signaling to the external memory device. For a particular FPGA family and memory type, there could be more than one PHY choice available—see "[Configurable Physical Interface](#)" for more information, specifically [Table 57: "PHY Layer by Xilinx FPGA Family and Memory Type."](#)

Spartan-6 designs use the "[Spartan-6 Hard Memory Controller Architecture](#)" Block (MCB) as both the memory controller and memory PHY functions of the MPMC. You perform I/O pinout selection by choosing a MCB location using the `C_MCB_LOC` parameter, and then optionally choosing `RZQ` and `ZIO` pin locations, if applicable.

Most DDR-based systems use the high-performance "[Memory Interface Generator PHY Interface](#)" by default. When using a MIG PHY, you must generate a pinout from MIG and use the resulting MIG constraints as part of the MIG/MPMC tool flow.

The EDK XPS tool manages this process, when using the integrated MIG GUI Flow, by managing the MIG UCF constraints automatically after MIG pinout selection.

The "[Standalone MIG GUI Flow](#)" allows manual generation of pinouts and constraints from outside of the EDK framework. The standalone flow is not recommended because the resulting UCF requires additional modification before use in an EDK project, and consequently is used only for existing designs, or if more control is required than the integrated flow provides.

The "[Static PHY Interface](#)" lets you use designs of Virtex-4, Virtex-5, and Spartan-3 based families with pinouts that were not designed with a MIG-compatible DDR/DDR2 pinout. The Static PHY uses a coarse DCM phase-shift to capture DDR/DDR2 Read data. Generally, a software calibration example is used to perform the calibration.

Note: Use the Static PHY only when the MIG PHY cannot be used.

The "[SDRAM PHY Interface](#)" is the Static PHY modified to target Single Data-Rate (SDR) SDRAM devices in the same FPGA families.

Choosing Memory Device Details

After you run BSB you can choose the details of the external memory. In XPS, open the MPMC IP Configuration GUI, and choose the appropriate memory part and memory settings which are described in "[Memory Interface](#)," [page 229](#). For most FPGA families, you can enter an unlisted part using the **CUSTOM** memory part.

If you choose a different memory type, the MPMC I/O ports might need to be connected. Refer to "[Memory Signals](#)," [page 26](#) to determine which MPMC ports must be connected to external memory. Changing the memory type might require clocking modifications also; see "[Clock Logic](#)," [page 72](#), "[Virtex-6 Clock Logic](#)," [page 73](#), or "[Spartan-6 Clock Logic](#)," [page 129](#) for more information.

Other memory device changes might require modification of external I/O port widths, also.

Board Considerations

When you have chosen a PHY and an created an initial system, you can determine the pinout. MIG PHY users must follow the *Memory Interface Solution User Guide* for pinout planning, pin-swapping, and board design layout rules specific to each FPGA family and memory standard. Use the reference documents for more information on MIG board design. A link to the MIG documentation is available in "[Reference Documents](#)," [page 234](#).

There are no specific board requirements for Static PHY and SDRAM PHY; but, because these PHYs perform global delay adjustments only, you must reduce board skew across the entire memory interface as much as possible.

Simulation Considerations

To simulate a design using MPMC, the user must create a testbench that connects a memory model to the MPMC I/O signals. This is generally performed by editing the `system_tb.v/.vhd` testbench template file created by the Simgen tool in XPS to add a memory model. Alternatively, the user can transfer the simulator compile commands from simgen into their own custom simulation/testbench environment.

Note: MPMC does not generally support structural simulation because this is not a supported flow for the underlying MIG PHYs. Structural simulation is therefore not recommended.

MPMC simulation should be performed in the behavioral/functional level and requires a simulator capable of mixed mode verilog and VHDL language support.

It is recommended that the user place weak pull downs on all the DQ and DQS signals so that the calibration logic can resolve logic values under simulation. Otherwise, "X" propagation of input data may cause simulation of the calibration logic to fail.

For behavioral simulation, the `MPMC_Clk` and all `<PIM>_Clks` must also be completely phase-aligned.

Choosing Personality Interface Modules

The provided Personality Interface Modules (PIMs) offer varying connection options and sets of services to the fabric-side of the MPMC. You can select the PIM in the Base Configuration tab of the MPMC IP Configuration GUI. The following is a summary of each PIM:

- Xilinx CacheLink PIM (XCL)—Provides a near-direct connection to the MicroBlaze processor cache.
- Soft Direct Memory Access Controller PIM for LocalLink Interfaces (SDMA)—A 32-bit wide Xilinx LocalLink interface provides medium-throughput performance, but offloads CPU involvement with hardware scatter-gather handling. Useful for frequent but small data transfers, but requires the most software expertise. Typically SDMA is used only with an `XPS_LL_TEMAC` core.
- Processor Local Bus Version 4.6 PIM (PLB)—A general interface used on most EDK IP cores. The PLB is suggested to be used for the most forward-compatibility.
- PowerPC® 440 processor Memory Controller PIM (PPC440MC)—Provides lowest latency connection when using the Virtex-5 PowerPC® 440 processor.
- Video Frame Buffer Controller PIM (VFBC)—A two-dimensional DMA core which also provides asynchronous clocking from `MPMC_C1k0`. High-latency, but high-throughput operation for very long bursts, such as entire video frames.
- Native Port Interface PIM (NPI)—The highest performance general PIM. All other PIMs except for MCB connect through an NPI interface. The NPI PIM is specific to MPMC, and is future support on Xilinx memory controllers is unplanned, thus limiting forward-compatibility.
- MCB PIM (MCB)—Spartan-6 only PIM providing raw access to the hardened memory controller for highest performance. Forward-compatibility is unplanned on FPGA families.

Estimates on PIM performance can be found in the "[MPMC Latency and Throughput](#)," page 211. Total system throughput can be estimated by a weighted average of each PIMs throughput by the percentage of transactions on each PIM.

Upgrading MPMC Versions

This section describes how to upgrade the MPMC. In general, the EDK revup tool updates the MPMC inside of a particular major version number automatically without user interaction.

For major version upgrades, manual changes are required. All major version changes require at least the manual change of the version number. This is best accomplished by editing `HW_VER` parameter of the MPMC in the system MHS file.

MPMC should not need any special handling besides increasing the version number. Additional information can also be found in the MPMC changelog.

From MPMCV3 Virtex-5 DDR2 and Spartan-3 MIG PHYs

See "[Standalone Flow: Migrating an MPMCV3 Design to MPMCV5](#)," page 107 when upgrading from MPMC3 to later MPMC designs when a MIG-based Virtex-5 DDR2 PHY is used or any Spartan-3/3a/3AN/3E MIG PHY is used. In certain cases, the Spartan-3 pinout might no longer be MIG compatible, requiring the use of the "[Static PHY Interface](#)," page 116.

From MPMCV4 Virtex-5 DDR2 MIG PHYs

See "[Standalone Flow: Migrating an MPMCV4 Virtex-5 DDR2 Design to MPMCV5](#)," page 108 when upgrading from MPMC4 to MPMC5 with a Virtex-5 DDR2 MIG PHY.

From MPMCv3 or v4 SDRAM PHYs

In MPMC5, the single-data rate SDRAM PHY was completely replaced by a Static PHY implementation, requiring multiple manual changes.

The following minimum MHS changes are required to pass through the tools:

- Connect the `MPMC_Clk_Mem` port to the same clock driving the `MPMC_CLK0` port.
- Set `C_MPMC_CTRL_BASEADDR` and `C_MPMC_CTRL_HIGHADDR`. It is recommended but not required that the `MPMC_CTRL` bus interface be connected to the PLB bus.
- Set PARAMETER `C_STATIC_PHY_RDEN_DELAY = 4` (for CAS Latency of 2).
 - Increment by 1 for a registered memory.
 - Increment by 1 more if the CAS Latency is 3.
- Set PARAMETER `C_STATIC_PHY_RDDATA_CLK_SEL = 0`. This selects the same negative edge clock capture that was used in MPMC4.

The following additional MHS and UCF changes are suggested to take advantage of the improved read data capture functionality of the SDRAM PHY:

- Connect `MPMC_Clk_Mem` to a clock driven by a DCM with the same frequency as `MPMC_CLK0` but is independently phase adjustable with respect to `MPMC_CLK0`.
- Connect MPMC ports to DCM to allow software control of the clock phase to port `MPMC_Clk_Mem`. Connect MPMC ports `MPMC_DCM_PSINCDEC`, `MPMC_DCM_PSEN`, and `MPMC_DCM_PSDONE` to the corresponding ports on the DCM driving `MPMC_Clk_Mem`
 - Connect the `MPMC_CTRL` bus interface to the PLB to enable software control of the SDRAM Static PHY.
 - In the UCF, add the following constraint.
 - `NET <MPMC Inst>*rd_data_rise_rdclk* MAXDELAY = 1000;`
 - Rebuild the design and use a software program to find the optimal DCM phase shift and PHY settings for the SDRAM device and board. For a software example, refer to the static PHY example application in `<EDK_Install>/sw/XilinxProcessorIPLib/drivers/mpmc_<latest version>/examples/mpmc_calibration_example.c`.

From MPMCv5 Virtex-6

Virtex-6 designs migrating from MPMC5 require multiple changes to both UCF and MHS files, which are described in "[Standalone Flow: Migrating an MPMCv5 Virtex-6 Design to MPMCv6](#)," page 108.

From MPMCv6.00.a Spartan-6

When migrating Spartan-6 designs from MPMC v6.00.a to v6.01.a, you must choose the location of the `RZQ` and `ZIO` pins using the `C_RZQ_LOC` and `C_ZIO_LOC` parameters. Previously, this pin selection was automatically chosen among several possible locations, but now it is a user-selectable option supported in the MPMC IP configuration GUI. Designs being migrated initially generate an error that the `RZQ/ZIO` pin selection was not made. However, the error message displays the original pin selection choice from MPMC v6.00.a as a reference. This information can be used to set the pinout in the MPMC IP Configuration GUI.

Note: With the ability to choose `RZQ/ZIO` pinout from the GUI or at the MHS level, remove any `RZQ/ZIO` pinout constraints in the `system.ucf` file.

MPMC Use Cases

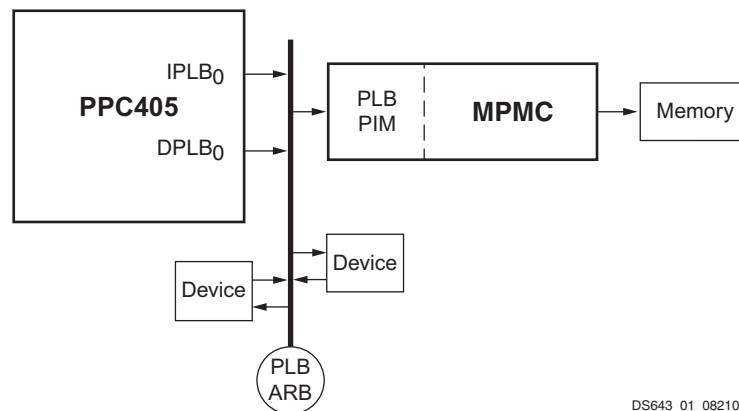
You can use MPMC to build different system use cases. Because of software variables, device bus transactions, memory latency, and speed; each system is capable of different size and data bandwidths. MPMC allows you to build systems quickly for different use cases, and then compare the size and the performance. There are many more use cases than can be shown; the use cases in this document can be used as an aide to understanding what trade-off(s) can be made when configuring MPMC. Each application is different, and no use case is ideal for all applications.

The following subsections provide examples of these available system use cases:

- [Standard PowerPC 405 Processor CoreConnect Use Case](#)
- [Single MicroBlaze Processor Use Case](#)
- [Dual PowerPC 405 Processor Use Case](#)
- [Using MPMC in Standalone Systems](#)

Standard PowerPC 405 Processor CoreConnect Use Case

An MPMC module fits into existing PowerPC[®] 405 processor CoreConnect-based systems as a single-port memory controller as shown in [Figure 1](#). This is particularly useful as a starting point to port an existing design into an MPMC use case that allows for improved performance.



DS643_01_082107

Figure 1: Standard PowerPC CoreConnect Use Case

Single MicroBlaze Processor Use Case

Figure 2 shows an example of a common MicroBlaze processor system layout. The MPMC module provides direct memory access to the processor IXCL and DXCL interfaces.

A standard PLB port is defined for use with PLB devices. The MicroBlaze processor can be connected directly to the PLB bus attached to the PLB PIM also.

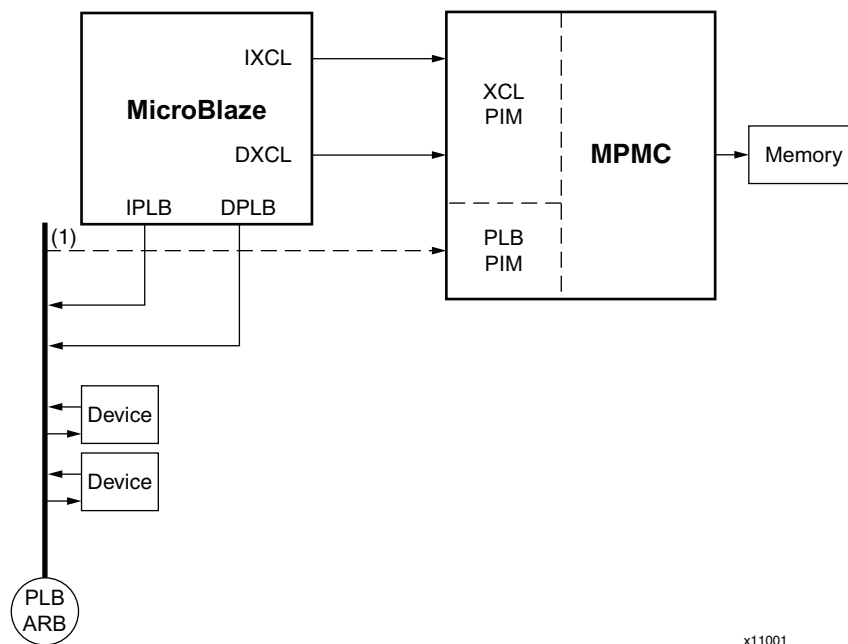


Figure 2: Single MicroBlaze Processor Use Case

Note: ⁽¹⁾This figure shows MicroBlaze processor version 7.20 or greater using a PLB connection to MPMC for uncached access to memory. This approach uses a second MPMC port for the uncached access over PLB. An alternate connection scheme is to remove the second MPMC port and use MicroBlaze processor parameters `C_ICACHE_ALWAYS_USED = 1` and `C_DCACHE_ALWAYS_USED = 1`. These parameters cause a MicroBlaze processor to make uncached memory accesses over XCL instead of PLB to reduce system size.

1. This diagram also shows a dual XCL PIM connection where a pair of MicroBlaze XCL interfaces connect to a single XCL PIM that consumes 1 MPMC port. The dual XCL feature is enabled using the `C_XCL<Port_Num>_B_IN_USE` parameter.

Dual PowerPC 405 Processor Use Case

Figure 3, page 62 shows an example of two PowerPC 405 processors connected directly to an MPMC module.

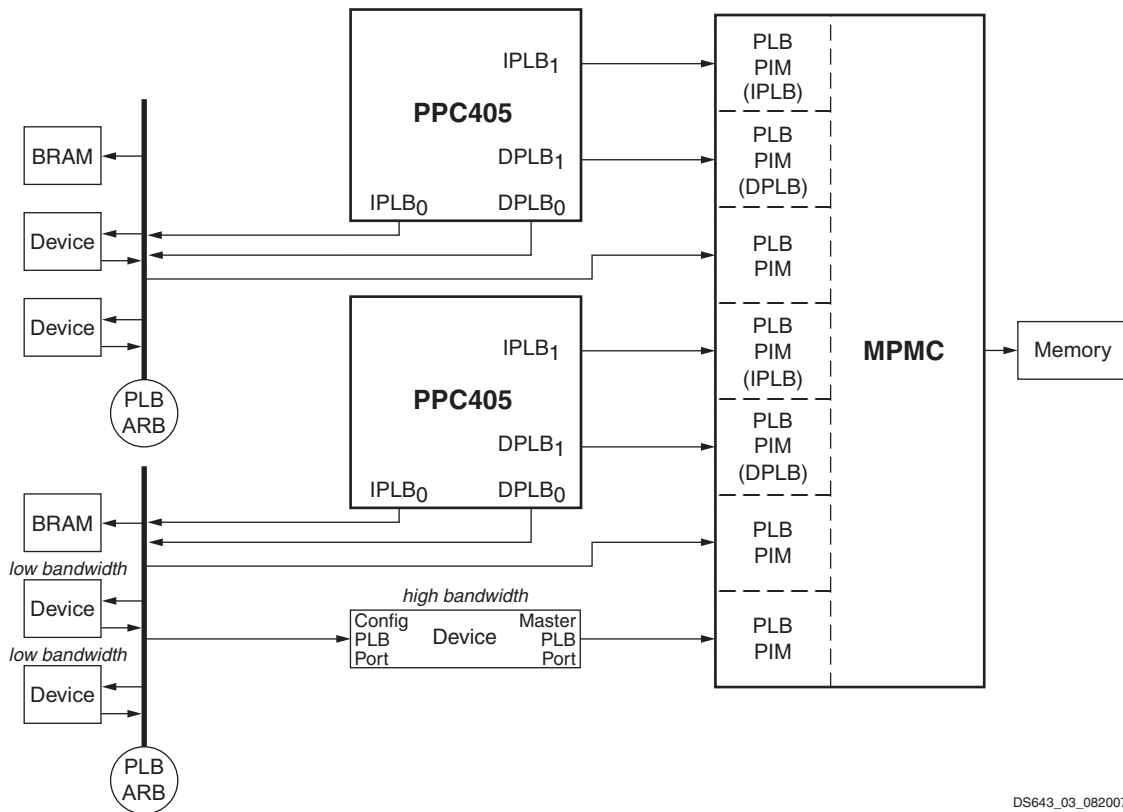


Figure 3: Dual Processor PowerPC Use Case

On the first PowerPC 405 processor:

- The IPLB1 and DPLB1 ports of the first PowerPC 405 processor are connected to the first two MPMC PLB PIMs. These are point to point connections for improved performance. Additionally, the PLB PIMs are designated as IPLB and DPLB PIMs to allow for performance optimizations inside of the PIM.
- The IPLB0 and DPLB0 ports of the first PowerPC 405 are connected to the PLB Bus attached to the third PLB PIM. Also attached to the PLB Bus are block RAM memory, which can be used to boot code and other PLB devices necessary to a particular application.

On the second PowerPC 405 processor:

- The IPLB1 and DPLB1 ports of the second PowerPC 405 processor are connected directly to the fourth and fifth PLB PIMs.
- The IPLB0 and DPLB0 ports of the second PowerPC 405 are connected to the PLB bus attached to the sixth PLB PIM. Also on this PLB bus are the block RAM memory, which can be used to boot code and other “low-bandwidth” PLB devices.
- On the seventh PLB PIM is a “high bandwidth” PLB device. This device has a direct connection to MPMC to improve performance. The configuration PLB port of this high bandwidth device is connected to the sixth PLB PIM to allow configuration from the second PowerPC 405 processor.

Using MPMC in Standalone Systems

You can use the MPMC core in a processor system that is not derived from the Embedded Development Toolkit (EDK) Xilinx Platform Studio (XPS). The general flow is to run EDK to configure and generate the MPMC core, then export MPMC out of EDK into Project Navigator to be used as a standalone core afterwards.

Note: EDK is required to configure or generate MPMC. MPMC cannot be configured or generated without EDK. Do not attempt to manually modify the parameters in a standalone MPMC core after it has been generated because many parameters have dependencies that are managed by the EDK tools.

Using EDK XPS to Manage the MPMC Core

The use of MPMC in a non-EDK processor system requires the EDK XPS to manage the MPMC core. The following steps are required:

1. Create a design using the Base System Builder (BSB) wizard, choosing a development board that uses the same memory technology to be used in the actual design, with all other cores deselected except for the MPMC.
2. Double-click on the MPMC instance in the System Assembly view to configure MPMC using the MPMC GUI. Parameterize the MPMC as needed, including choosing the desired PIMs.
3. Remove all unwanted peripherals and processors. Delete any external I/O associated with these peripherals.
4. In the XPS Port tab, connect all relevant PIM signals as external I/O.
5. Choose **Filters > Default Connections** port filter to show all MPMC ports that are usually part of a bus connector. Each PIM I/O signal has a port number and PIM type in the GUI that corresponds to the port order and PIM type shown in the MPMC GUI. For example, if PIM2 is configured as VFBC, the port signals would begin with "VFBC2_". NPI ports use the generic prefix "PIM", such as "PIM2_". You can save time by selecting the relevant ports then right-clicking the **Make External** option.
6. Run **Hardware > Generate Netlist** to check for any incorrect, missing, or extraneous connections; correct as needed.
7. Add the XPS file as a source in the ISE Project Navigator project and build. For an instantiation template, select the XPS project in the Hierarchy pane and then run **View HDL Instantiation Template** from the Processes pane of the Design panel.

Transaction Ordering, Coherency, and Arbitration

Transactional coherency and arbiter features apply to both the soft and hard memory controller architectures.

Transaction Ordering and Memory Coherency

In both the hard and soft MPMC architectures, transactions are executed to memory in the order that the transactions are acknowledged with respect to a single port; consequently, on a single port, transactions are completed in the same order as requested.

Across multiple ports of MPMC there is no guarantee that the transactions issued by different ports will complete in the request order. You can modify the arbitration algorithms so that a given port is favored over another port. This can be used as a mechanism to influence transaction ordering but might not guarantee a specific order.

MPMC allows write transactions to be buffered inside the MPMC. Because of the buffering, there is an undefined time between when a write transaction has completed over NPI and when the write completes to memory.

Because transaction ordering is not guaranteed across ports, a port doing a read from an address location being written to by another port might read the new or the old memory value. In some applications it is important to know that a write has completed to memory before issuing a read of that location.

There are three methods that can ensure coherency:

1. The NPI interface can monitor the Write FIFO empty flag:
 - The empty flag is asserted when the write has completed to memory.
 - The design can wait for the empty flag to go high before signaling that a read can be performed.
2. The design can take advantage of the fact that transactions complete in order on a given port:
 - After a write to a sensitive part of memory, the device can issue a dummy read and wait for the dummy read to complete and return data.
 - The completion of the dummy read ensures that the previous write has completed to memory.
3. The arbitration algorithm can be adjusted:
 - If the port performing the writes can always be set to have higher priority than the ports doing the reads, this should also ensure that the write completes before the read across the two ports. Care should be taken with this method if there is a possibility that the PIM can have “bubble” cycles between the write and the read request.

Note: Using any of these methods to ensure coherency could result in reduced system performance; employ these methods when necessary only.

The DPLB and PLB PIMs follow the PLB CoreConnect technology method for handling memory coherency (for example, between PowerPC 405 processor instruction and data PLB interface). The PLB `BUSY` signal is asserted on writes until the `Write_FIFO_Empty` flag is asserted indicating the write transaction has completed to memory. The processor normally ignores the `BUSY` flag unless an instruction is executed such as `Sync` or `Enforce Instruction Execution In Order (EIEIO)`.

When the `Sync` or `EIEIO` instruction is executed, the processor waits for PLB `BUSY` to be de-asserted before issuing another transaction.

Multi-Port Arbitration Algorithms

The MPMC Arbiter supports Fixed, Round Robin, and Custom arbitration algorithms. The arbitration algorithms are incremented one arbitration slot per transaction when there are active requests. Otherwise during idle periods, the arbitration increments a slot for each clock cycle.

Fixed

In the Fixed arbitration algorithm, the priority is fixed so that Port 0 has highest priority, Port 1 has next highest priority, etc. The last port in the design has the lowest priority. The ordering from Port 0 to Port 7 cannot be changed. This algorithm uses the lowest amount of FPGA resources to implement.

Round Robin (Default)

In the Round Robin arbitration algorithm (default), each MPMC port is given an equal overall priority.

This is accomplished by rotating through the relative priority of each port each time an arbitration is performed. A given port therefore has one turn as highest priority, one turn at second highest priority, one turn at lowest priority, and so forth.

Custom

Custom arbitration provides user-configurable arbitration. The number of arbitration time slots (`C_ARB0_NUM_SLOTS`) can be configured to a number between 1 and 16 slots.

In Spartan-6, `C_ARB0_NUM_SLOTS` must be either 10 or 12 using this option. The arbiter rotates through these arbitration time slots each time an arbitration is performed to initiate a memory transaction. For each arbitration time slot, relative priority of all the ports (`C_ARB0_SLOT<PortNum>`) is selectable.

Arbitration Examples

An example of Custom arbitration shows that in a four port system, the following options can be set:

```
C_ARB0_NUM_SLOTS = 6
C_ARB0_SLOT0 = "0123"
C_ARB0_SLOT1 = "0123"
C_ARB0_SLOT2 = "1230"
C_ARB0_SLOT3 = "1230"
C_ARB0_SLOT4 = "2301"
C_ARB0_SLOT5 = "3012"
```

Assuming all ports are making requests, Port 0 is selected 1/3 of time, Port 1 is selected 1/3 of time, Port 2 is selected 1/6 of time, and Port 3 is selected 1/6 of time.

The functionally equivalent setting for Round Robin arbitration is as follows:

```
C_ARB0_NUM_SLOTS = 4
C_ARB0_SLOT0 = "0123"
C_ARB0_SLOT1 = "1230"
C_ARB0_SLOT2 = "2301"
C_ARB0_SLOT3 = "3012"
```

The functionally equivalent setting for Fixed arbitration is as follows:

```
C_ARB0_NUM_SLOTS = 1
C_ARB0_SLOT0 = "0123"
```

For more information on how to configure the arbiter, see the "Arbitration" information in the ["IP Configuration Graphical User Interface," page 228](#).

Soft Memory Controller Architecture

MPMC uses a soft (FPGA logic-based) memory controller for Spartan-3, Virtex-4, Virtex-5, and Virtex-6 architectures. The MPMC soft FPGA logic-based architecture comprises the following components:

- [Address Path](#)
- [Data Path](#)
- [Clock Logic](#)
- [Spartan-3, Virtex-4, and Virtex-5 Reset Logic](#)
- [Error Correction Code](#) (optional)
- [Performance Monitoring](#) (optional)
- [Configurable Physical Interface](#)
- Descriptions of the "[Personality Interface Module \(PIM\) Parameters](#)," [page 21](#), (PIMs) which are available in the soft memory controller, detail how the PIMs allow MPMC to connect to various interfaces. The available PIMs are:
 - [Xilinx CacheLink PIM](#)
 - [Soft Direct Memory Access Controller PIM for LocalLink Interfaces](#)
 - [Processor Local Bus Version 4.6 PIM](#)
 - [PowerPC 440 Memory Controller PIM](#)
 - [Video Frame Buffer Controller PIM](#)
 - [Native Port Interface PIM](#)
 - [MCB PIM](#)

Throughout this document, the term “word” signifies a 32-bit word.

[Figure 4, page 67](#) is a block diagram of the MPMC soft memory controller architecture. The following subsections describe the MPMC soft memory controller architectural features.

Address Path

The address path allows each PIM to have independent access. Each PIM supports 32-bit addresses. This allows at least one 32-bit address from each PIM to be acknowledged simultaneously. The control path then determines the order in which the addresses go to memory. Refer to "[MPMC Optimization](#)," page 207 for more details.

Base/High/Offset Parameters

Each PIM has PIM-specific Base/High/Offset address parameters. Refer to "[Personality Interface Modules](#)," page 134 for information on the correct address for the PIM you are using. The MPMC parameters are listed in "[Design Parameters](#)," page 3.

Address Encoding

MPMC does not perform address range validation, and MPMC responds to all addresses, so it is the responsibility of the PIM to ensure that valid addresses are passed across the NPI interface. The address path is responsible for translating the address into an encoded address that adheres to SDRAM, DDR, or DDR2 memory specifications.

The following memory parameters are used to encode the address:

- C_MEM_DATA_WIDTH
- C_MEM_PART_NUM_COL_BITS
- C_MEM_PART_NUM_ROW_BITS
- C_MEM_PART_NUM_BANK_BITS
- C_MEM_NUM_RANKS
- C_MEM_NUM_DIMMS

The memory address offsets are as follows:

- $col_addr_startbit = \log_2(C_MEM_DATA_WIDTH/8)$
- $row_addr_startbit = col_addr_startbit + C_MEM_PART_NUM_COL_BITS$
- $bank_addr_startbit = row_addr_startbit + C_MEM_PART_NUM_ROW_BITS$
- $rank_addr_startbit = bank_addr_startbit + C_MEM_PART_NUM_BANK_BITS$
- $dimm_addr_startbit = rank_addr_startbit + C_MEM_NUM_RANKS$
- $total_addr_startbit = dimm_addr_startbit + C_MEM_NUM_DIMMS$

Table 40 shows the address column, row, bank, rank, DIMM, and total memory address.

Table 40: Address Type and Corresponding Signal

Memory Address Type	Corresponds to:
Column	PIM<Port_Num>_Addr[row_addr_startbit:col_addr_startbit]
Row	PIM<Port_Num>_Addr[bank_addr_startbit-1:row_addr_startbit]
Bank	PIM<Port_Num>_Addr[rank_addr_startbit-1:bank_addr_startbit]
Rank	PIM<Port_Num>_Addr[dimm_addr_startbit-1:rank_addr_startbit]
DIMM	PIM<Port_Num>_Addr[total_addr_startbit-1:dimm_addr_startbit]
Total memory space	PIM<Port_Num>_Addr[total_addr_startbit-1:0]

You can set the base and high addresses of your custom PIM to cover this address space. Standard PIMs (such as PLB and XCL PIMs) have address range and offset parameters to handle how addresses are mapped from the bus interface to the physical memory.

Address Path Pipeline

The address path pipeline is controlled by `C_PIM<Port_Num>_ADDRACK_PIPELINE`, a per-port parameter which, when set in the IP Configuration interface, allows the NPI address acknowledge signal to be registered. Enable this parameter to achieve better timing, but expect one extra cycle of latency on the assertion of address acknowledge. Refer to "[IP Configuration Graphical User Interface](#)," page 228 for more information on setting per-port parameters.

Address Alignment

When requesting a transfer at the NPI interface the `PIM<Port_Num>_Addr` signal has alignment restrictions on Reads and Writes. The following subsections list the alignment restrictions by Read and Write request.

Read Requests

Addresses corresponding to a Read request must be aligned as follows:

- Word transfers (32-bit NPI only) are 4-byte aligned
- Double-word transfers (64-bit NPI only) are 8-byte aligned
- 4-word, cacheline transfers (32-bit NPI only) are 4-byte aligned
- 4-word, cacheline transfers (64-bit NPI only) are 8-byte aligned
- 8-word, cacheline transfers (32-bit NPI only) are 4-byte aligned
- 8-word, cacheline transfers (64-bit NPI only) are 8-byte aligned
- 16-word, burst transfers are 64-byte aligned
- 32-word, burst transfers are 128-byte aligned
- 64-word, burst transfers are 256-byte aligned (Not supported in all configurations. See "[Restrictions on 64-Word Burst Transfers](#)," page 189 for more information.)

Write Requests

Addresses corresponding to a Write request must be aligned to the size of the requested transfer as:

- Word transfers (32-bit NPI only) are 4-byte aligned
- Double-word transfers (64-bit NPI only) are 8-byte aligned
- 4-word cache-line transfers are 16-byte aligned
- 8-word cache-line transfers are 32-byte aligned
- 16-word burst transfers are 64-byte aligned
- 32-word burst transfers are 128-byte aligned
- 64-word burst transfers are 256-byte aligned
(Not supported in all configurations. See ["Restrictions on 64-Word Burst Transfers,"](#) page 189 for more information.)

Data Path

The MPMC data path comprises the following:

- [Supported Data Widths](#)
- [FIFO Types](#)
- [Read Word Address](#)
- [Data Path Pipelines](#)

Supported Data Widths

MPMC supports NPI data widths of 32 and 64 bits. In the discussion of data widths, "32-bit NPI" refers to an NPI data width of 32-bits, "64-bit NPI" refers to an NPI data width of 64-bits, and "NPI" refers to either 32- or 64-bit data widths.

The data path supports SDRAM, DDR, and DDR2 memories that have total physical data widths of 8, 16, 32, and 64 bits. For Virtex-6, the data path limits the physical data widths of DDR2 and DDR3 memories to 8, 16, or 32 bits. Virtex-6 DDR2 or DDR3 designs do not support 64 bit physical memory.

FIFO Types

In MPMC, you can select either block RAM (BRAM) or 16-bit Shift register Lookup (SRL) table FIFOs. Generally, a block RAM FIFO gives the best performance because the timing is better and the FIFO depth is larger and does not create stalls in the data path due to a full FIFO condition. The Write block RAM FIFO does not assert the `PIM<Port_Num>_WrFIFO_AlmostFull` which can simplify the design of PIMs also because the PIM does not need to monitor the almost full flag dynamically. The PIM is therefore required to ensure that a block RAM FIFO never reaches a write FIFO full state. The block RAM FIFO also provides better timing than an SRL FIFO which might allow for a higher Fmax. This is especially true for Spartan-3 where the timing on the SRL primitive is significantly worse than the timing on block RAM primitive timing. However, in some cases, an SRL FIFO can improve system timing versus a block RAM FIFO when the MPMC has a large number of ports and routing to the block RAMs results in excessive net delays.

Some configurations of MPMC might require more block RAMs than are available on a particular device, in which case the SRL FIFOs can be used. Additionally particular applications or system configurations can use a significant number of block RAMs, leaving few resources for MPMC.

The number of block RAM or SRL resources consumed by the FIFOs depends on the:

- Number of ports and whether a particular port has read FIFOs, write FIFOs, or both
- NPI data width and memory data width

See the "[Resource Utilization](#)," [page 222](#) for more information about block RAM utilization in MPMC. This section also explains how many LUTs are used when a SRL FIFO is selected.

Read Word Address

When Read data for a cacheline request is returned, it might not be returned target-word first. Read data is returned sequentially, but it could be returned where the requested target word appears later in the sequence than desired due to memory access optimizations and the allowance of back-to-back read requests.

You must monitor the `PIM<Port_Num>_RdFIFO_RdWdAddr` output value to determine which word is being returned first.

Data Path Pipelines

[Table 41](#) outlines the pipeline stages in the MPMC data path; which is set using the MPMC interface. See the "[IP Configuration Graphical User Interface](#)," [page 228](#) for more information about setting the pipeline. Adding pipeline stages improves timing but also increases latency.

Table 41: MPMC Data Path Pipelines

Pipeline Stage	Description
Write Data Path input	Registers the write FIFO inputs (push, FIFO address, data, byte enables).
Write Data Path output	Registers the write FIFO outputs (data, byte enables). All ports must have the same setting.
Write Data Path timing management	There is a multiplexer (MUX) that selects which write FIFO the PHY is currently using. This pipeline stage adds a register after that MUX
Read Data Path input	Registers the read FIFO inputs (push, FIFO address, data). All ports must have the same setting.
Read Data Path output	Registers the read FIFO outputs (data, read word address).
Read Data Path fanout	<p>The read data going from the PHY to the data path is routed to the read FIFO for each port. If the FIFOs are spaced far apart (which is likely when using block RAM FIFOs), the routing delays can be large. Setting the fanout has the following effect:</p> <ul style="list-style-type: none"> • 0 = No register is instantiated. • 1 = Read data is forwarded from the PHY for up to eight sets of registers. The outputs of the registers are then forwarded on to a maximum of one read FIFO. • 2 = Read data is forwarded from the PHY to up to four sets of registers. The outputs of the registers are the forwarded on to a maximum of two read FIFOs.¹ • 4 = Read data is forwarded from the PHY to two sets of registers. The outputs of the registers are the forwarded on to a maximum of four read FIFOs.¹ • 8 = Read data is forwarded from the PHY to a single register, then forwarded on to each of the read FIFOs. <p>Note: 1. Values of 3, 5, 6, 7 are invalid.</p>

Control Path / Arbiter

The MPMC control path is configured for optimal memory bandwidth given a particular memory. It can be configured to support different physical (PHY) interfaces also.

The following subsections describe the Control Path/Arbiter:

- [Transfer Types](#)
- [Arbitration Algorithms](#)
- [Arbiter Pipeline](#)
- [Control Path and Arbiter block RAM Utilization](#)

Transfer Types

The control path supports the following transfer types:

- Word reads and writes (32-bit NPI only).
- Double-word reads and writes (64-bit NPI only).
- 4-word, cacheline reads and writes.
- 8-word, cacheline reads and writes.
- 16-word, burst reads and writes.
- 32-word, burst reads and writes.
- 64-word, burst reads and writes. (Not supported in all configurations. See "[Restrictions on 64-Word Burst Transfers](#)," page 189 for more information.)

Arbitration Algorithms

MPMC supports configure-able arbitration algorithms. See "[MPMC Optimization](#)," page 207 for more information.

Arbiter Pipeline

An optional pipeline is allowed in the arbitration logic. To achieve best timing, enable this pipeline using the IP Configuration interface. Enabling the arbiter pipeline could also increase latency.

See the "Arbitration" information in the "[IP Configuration Graphical User Interface](#)," page 228 for more information.

Control Path and Arbiter block RAM Utilization

The MPMC control logic is designed around a block RAM-based state machine; therefore, the control logic always consumes one block RAM.

The arbiter uses one block RAM when a custom arbitration algorithm is used. With Fixed or Round Robin arbitration, or when `C_NUM_PORT` is set to 1, no additional block RAM is needed.

The MPMC control logic does not support row or bank management. After each NPI transaction, the row and bank that was accessed is closed with a precharge.

Clock Logic

Spartan-3, Virtex-4, and Virtex-5 Clock Logic

MPMC has four system clock inputs and one clock for each PIM. Depending on the MPMC configuration, not all system clocks must be connected.

Note: For behavioral simulation, the `MPMC_Clk` and all `<PIM>_Clks` must be completely phase-aligned. This requirement is not as strict for actual implementation as any clock skew will be correctly analyzed by static timing analysis tools.

Table 42 provides a summary of the available clock signals.

Table 42: Clock Summary

Signal Name	Description
MPMC_Clk0	Main MPMC clock; used to generate memory clock.
MPMC_Clk0_DIV2	MPMC_Clk0, divided by 2; used in MIG-based Virtex-5 DDR2 PHY only.
MPMC_Clk90	Main MPMC clock, phase shifted by 90 degrees. DDR/DDR2 only.
MPMC_Clk_200MHz	200 MHz clock; used in Virtex-4 and Virtex-5 architectures for IDELAY Control logic only. Only valid when using MIG-based Virtex-4 or Virtex-5 DDR/DDR2 PHY.
MPMC_Clk_Mem	Main MPMC clock, phase-shifted by n degrees. Used with Static PHY Interface only. See "Static PHY Interface," page 116 for more details.
<PIM>_Clk	See specific PIM documentation for more details. Generally, these clocks will be the same as MPMC_Clk, or the MPMC_Clk synchronously divided by 2. The XCL, PLB, and SDMA PIMs support only 1:1 or 1:2 synchronous clock ratios. The XCL and PLB PIMs will detect automatically which clock ratio is being used. The SDMA requires that the clock ratio be specified by the C_SDMA<Port_Num>_PI2LL_CLK_RATIO parameter.
MPMC_Rst	Main MPMC reset.
<PIM>_Rst	See specific PIM documentation for more details.

See the "System I/O Signals," page 25 for more information on clocks and reset signals.

Virtex-6 Clock Logic

The Virtex-6 MIG PHY requires an MMCM to be instantiated in the system separate from MPMC.

The C_MMCM_EXT_LOC parameter is used to specify the location of the external MMCM.

When using Clock Generator core v3.02a or greater, the C_MMCM_EXT_LOC constraint is passed to the clock generator module to generate a local constraint for itself. This parameter is derived from the MIG-generated pinout UCF file.

This external MMCM drives the MPMC_Rd_Base, MPMC_Clk_Mem, and MPMC_Clk0 clock signals.

The MPMC_DCM_PSEN, MPMC_DCM_PSINDEC, and MPMC_DCM_PSDONE ports connect to the MMCM. This allows the MIG PHY within MPMC to adjust the Read clock timing dynamically.

The MPMC_Clk_Rd_Base is the same frequency as MPMC_Clk_Mem, and should not be buffered to global routing.

The MPMC_Clk_Mem port drives the memory clock. MPMC_Clk0 is half the memory clock frequency and is synchronous to MPMC_Clk_Mem. Another port called MPMC_Clk_200MHz requires a 200 MHz clock to drive the IDELAY elements, but this clock can be asynchronous to all other clocks.

The following is an Microprocessor Hardware Specification (MHS) file example of how an MMCM can be connected to MPMC.

```
BEGIN mpmc
.
.
.
PORT MPMC_Clk_Rd_Base = MPMC_Clk_Rd_Base
PORT MPMC_DCM_PSEN = MPMC_DCM_PSEN
PORT MPMC_DCM_PSINCDEC = MPMC_DCM_PSINCDEC
PORT MPMC_DCM_PSDONE = MPMC_DCM_PSDONE
PORT MPMC_Clk_Mem = MPMC_Clk_Mem
PORT MPMC_Clk0 = MPMC_Clk0
END
```

```
BEGIN mmcm_module
PARAMETER C_CLKFBOUT_MULT_F = 2.000000
PARAMETER C_CLKIN1_PERIOD = 5.000000
PARAMETER C_CLKOUT0_BUF = TRUE
PARAMETER C_CLKOUT0_DIVIDE_F = 1.000000
PARAMETER C_CLKOUT1_BUF = TRUE
PARAMETER C_CLKOUT1_DIVIDE = 2
PARAMETER C_CLKOUT2_DIVIDE = 1
PARAMETER C_CLKOUT2_USE_FINE_PS = TRUE
PARAMETER C_CLKOUT3_BUF = TRUE
PARAMETER C_CLKOUT3_DIVIDE = 4
PARAMETER C_COMPENSATION = INTERNAL
PARAMETER C_EXT_RESET_HIGH = 1
PARAMETER HW_VER = 1.00.a
PARAMETER INSTANCE = mmcm_module_0
PORT CLKFBIN = CLK_FB
PORT CLKFBOUT = CLK_FB
PORT CLKIN1 = sys_clk
PORT CLKOUT0 = MPMC_Clk_Mem
PORT CLKOUT1 = MPMC_Clk0
PORT CLKOUT2 = MPMC_Clk_Rd_Base
PORT CLKOUT3 = clk_100_0000MHzPLL0
PORT LOCKED = mmcm_0_lock
PORT PSCLK = MPMC_Clk0
PORT PSDONE = MPMC_DCM_PSDONE
PORT PSEN = MPMC_DCM_PSEN
PORT PSINCDEC = MPMC_DCM_PSINCDEC
PORT RST = sys_rst
END
```

Alternatively, the `mmcm_module` can be replaced by a `clock_generator` core, as shown in the following code example:

```
BEGIN clock_generator
  PARAMETER INSTANCE = clock_generator_0
  PARAMETER HW_VER = 4.00.a
  PARAMETER C_EXT_RESET_HIGH = 1
  PARAMETER C_CLKIN_FREQ = 200000000
  PARAMETER C_PSDONE_GROUP = MMCM0
  PARAMETER C_CLKOUT0_FREQ = 400000000
  PARAMETER C_CLKOUT0_PHASE = 0
  PARAMETER C_CLKOUT0_GROUP = MMCM0
  PARAMETER C_CLKOUT0_BUF = TRUE
  PARAMETER C_CLKOUT1_FREQ = 200000000
  PARAMETER C_CLKOUT1_PHASE = 0
  PARAMETER C_CLKOUT1_GROUP = MMCM0
  PARAMETER C_CLKOUT1_BUF = TRUE
  PARAMETER C_CLKOUT2_FREQ = 400000000
  PARAMETER C_CLKOUT2_PHASE = 0
  PARAMETER C_CLKOUT2_GROUP = MMCM0
  PARAMETER C_CLKOUT2_BUF = FALSE
  PARAMETER C_CLKOUT2_VARIABLE_PHASE = TRUE
  PARAMETER C_CLKOUT3_FREQ = 100000000
  PARAMETER C_CLKOUT3_PHASE = 0
  PARAMETER C_CLKOUT3_GROUP = MMCM0
  PARAMETER C_CLKOUT3_BUF = TRUE
  PORT CLKIN = sys_clk
  PORT CLKOUT0 = MPMC_Clk_Mem
  PORT CLKOUT1 = MPMC_Clk0
  PORT CLKOUT2 = MPMC_Clk_Rd_Base
  PORT CLKOUT3 = clk_100_0000MHzPLL0
  PORT LOCKED = mmcm_0_lock
  PORT PSCLK = MPMC_Clk0
  PORT PSDONE = MPMC_DCM_PSDONE
  PORT PSEN = MPMC_DCM_PSEN
  PORT PSINCDEC = MPMC_DCM_PSINCDEC
  PORT RST = sys_rst
END
```

Virtex-6 PIM Clocking

All PIMs have a base clock that is taken from the port `MPMC_Clk0`. `MPMC_Clk0` must be shared across all PIMs. In addition, some PIM types support an optional 1:1 or 1:2 clock ratio from their base PIM clock.

For example, it is possible to have an MPMC clocked as follows:

- `MPMC_Clk_Mem` = 400 MHz (400 MHz DDR2 or DDR3)
- `MPMC_Clk0` = 200 MHz (synchronous to `MPMC_Clk_Mem`)
- Port 0 PLB PIM can connect to a PLB bus that must be 100 MHz (synchronous to `MPMC_Clk0`)
- Port 1 XCL PIM can connect to an XCL interface that must be 100 MHz (synchronous to `MPMC_Clk0`)
- Port 2 NPI PIM must run at 200 MHz using the same clock as `MPMC_Clk0`

Spartan-3, Virtex-4, and Virtex-5 Reset Logic

The basic MPMC core and each of the MPMC PIMs have a reset input. Internally these resets are OR'ed together to create the master reset for the entire MPMC (including PIMs).

Note: It is not possible to reset an individual PIM or PORT of the MPMC without resetting everything.

The master reset is internally registered and synchronized before being distributed throughout MPMC; therefore, the MPMC reset is a fully synchronous reset.

Reset should be held for a minimum of eight cycles of the slowest PIM clock. After reset, there should not be access to any of the ports or control interfaces for 20 cycles of the MPMC_Clk. [Table 43](#) provides a summary of reset logic.

Table 43: Reset Summary

Reset Name	Description
MPMC_Rst	Main MPMC reset.
<PIM>_Rst	See specific PIM documentation (which is located in " Personality Interface Modules ," page 134) for more details.

Error Correction Code

The Error Correction Code (ECC) is enabled optionally using the C_INCLUDE_ECC_SUPPORT parameter control and is supported on Spartan-3, Virtex-4, and Virtex-5.

The following subsections describe the ECC:

- [ECC Features](#)
- [ECC Implementation](#)
- [ECC Read Data Handling](#)
- [ECC Need for Read Modify Write](#)
- [ECC Memory Organization and Word Size](#)
- [ECC Registers](#)
- [ECC Testing](#)

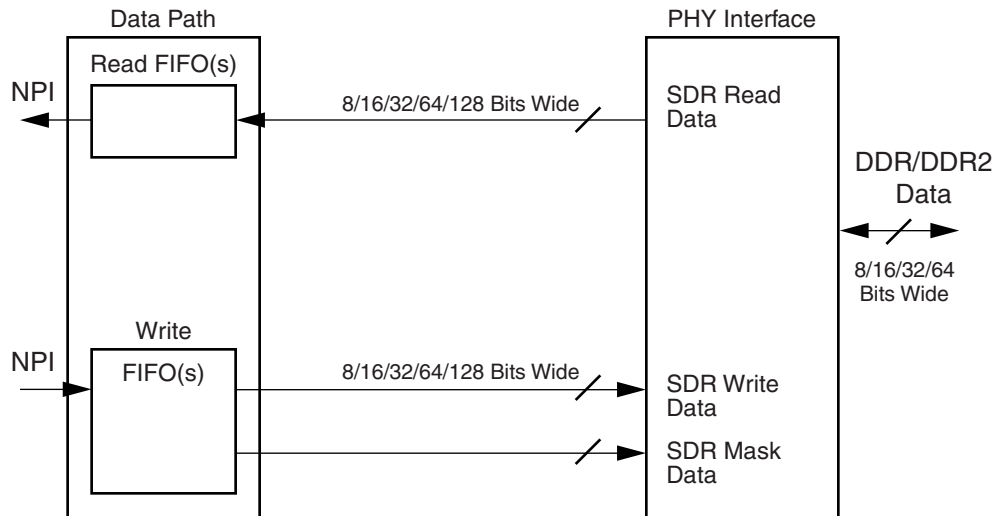
ECC Features

The ECC features are:

- Supports 8-, 16-, 32-, and 64-bit wide SDRAM, DDR, and DDR2 memories.
- Provides Single Error Correction (SEC) and Double Error Detect (DED).
- Can generate interrupts when the number and type of errors reach a programmed threshold value.
- Supported on Spartan-3 MIG PHY for 8-, 16-, and 32-bit wide data.
- Supported with Static PHY.

ECC Implementation

ECC functionality is implemented by inserting the ECC decode and encode logic between the Physical Interface (PHY) and Data Path of the MPMC. [Figure 5, page 77](#) shows the current MPMC PHY Data Path connection for DDR/DDR2 memory.



X10918

Figure 5: MPMC PHY-Data Path Connection

The PHY interface converts the Double Data Rate (DDR) data from the memory into a Single Data Rate (SDR) bus that is twice as wide as the memory width. For SDRAM, data stays the same width through the PHY.

Because MPMC supports 8-, 16-, 32-, and 64-bit SDRAM and DDR/DDR2 memory, this results in an SDR bus that is 8-, 16-, 32-, 64-, or 128-bit wide going to the data path module.

The data path module implements the per-port FIFOs used by MPMC. [Figure 6, page 78](#) illustrates the changes that are made when ECC is enabled with DDR/DDR2 memory.

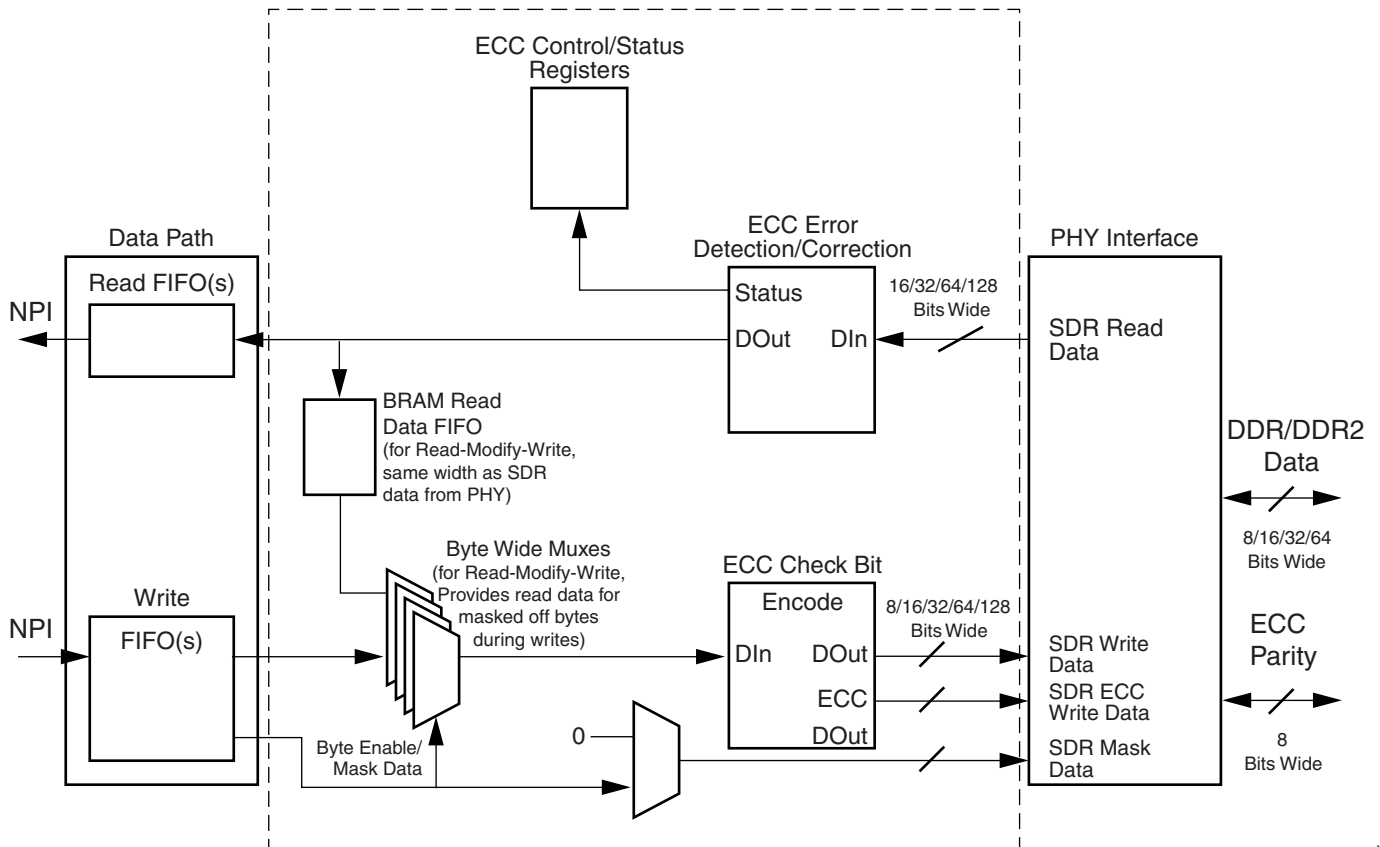


Figure 6: Data Path with ECC Enabled

X10919

When ECC functionality is enabled, several blocks are turned on to implement control and status registers, ECC decode and encode, and support for Read-Modify-Write (RMW) operations (needed for handling byte enables).

Note: All writes are RMW in the MPMC core once ECC is enabled.

The blocks are inserted between the PHY and data path so only one instance of the ECC logic is needed for multiple port configurations. The ECC decode and encode is performed in the SDR domain. The ECC Control and Status registers module controls when interrupts are generated and provides control and status data access with respect to ECC. Refer to "[Common MIG PHY Debug Registers](#)," page 45 for more information on ECC Control and Status registers.

After each startup or MPMC reset the entire memory must be initialized when using ECC. Typically this is performed by user software. The following steps should be performed to initialize external memory for ECC use:

1. Disable ECC interrupt registers.
2. Enable Read/Write ECC support.
3. Clear values of all external memory addresses.
4. Clear ECC error count registers.
5. Enable ECC interrupts.

Note: ECC interrupts must be disabled for the initialization process. Because the external ECC check bits are uninitialized, Read and RMW transactions to external memory could cause ECC errors. These errors generate spurious ECC interrupts to the processor, potentially causing system hangs.

ECC Read Data Handling

On Reads, data passes through the ECC Error Detection and Correction block. The data is checked for errors. If there are no errors, data passes through as normal and goes into the Read FIFO as a normal read. If a single error is detected, the error is corrected automatically (SEC) and sent to the Read FIFO to complete as a normal read. If two errors are detected (DED), the data is not corrected but passed through unchanged and reported to the Control and Status registers.

ECC Need for Read Modify Write

During writes to memory, a new set of ECC check bits must be written to memory along with write data. The ECC encoding process is handled by the ECC Check Bit Encode block. Read-Modify-Writes (RMW) operations are needed for write transactions where the byte enables that span the width of the ECC word on the SDR bus are not all On or Off. Because many ECC DIMMs do not have Data Mask (DM) pins, the RMW is required.

When byte enables do not exist or are not all On or all Off, the correct value of the ECC check bits are not known because not all the data across the ECC word is present.

The RMW operation first fetches the data value of the masked off byte lanes so the correct ECC check bits for the whole ECC word can be computed and written. RMW is accomplished by taking read data (after ECC decode and correction) and storing the data in a FIFO that is the same width as the SDR data bus. Later, as write data comes out of the Write FIFO, the masked off byte enables activate an MUX that routes read data to fill in the corresponding “holes” in the write data. The result is a complete set of data with which to compute the new ECC check bits. All resultant data is written to memory. Consequently, writes with any byte enables turned Off result in writes with all byte enables turned On. This has the side effect that masked-off write data is read, scrubbed, and written back.

The Control state machine is modified during a RMW operation to perform a full Read and then a full Write. Because the data is on the same memory page, an optimization is to skip the precharge and activate commands between a read and a write. To optimize the space in the control path block RAM state machines, RMW operations will reuse the corresponding Read and Write state machines for the given transfer size. Special block RAM state machine bits are used to implement the chained RMW operation and to skip precharge and activate commands.

The RMW process does add latency to the design because a full Read must precede a Write. This can double the transaction time for Writes. Writes with all byte enables On or all Off are faster than Writes with mixed byte enables due to need for RMW. A flag bit is introduced into the NPI interface to allow the transactions to be qualified as needing or not needing RMW.

The `PIM<Port_Num>_RdModWr` flag bit informs the MPMC if transactions require RMW (= 1) or do not require RMW (= 0). The `PIM<Port_Num>_RdModWr` signal must be asserted with `PIM<Port_Num>_AddrReq`. The `PIM<Port_Num>_RdModWr` signal should be asserted with respect to the memory burst length of 4 and the ECC word size of the memory interface being used. Any NPI transfer sizes which are less than a four beat memory burst must assert `PIM<Port_Num>_RdModWr`.

For NPI interfaces that do not support the RMW, or are not able to set it dynamically, the value should default to 1 to ensure correct Write operations under all conditions. Dynamic RMW allows for write performance to be optimized when RMW is known to not be needed.

If all the byte enables are Off but a RMW operation is performed, data is still read, scrubbed, and written back.

This would permit a custom NPI device to perform burst writes with byte enables all Off (and `RdModWr = 1`) to scrub memory. MPMC does not require the memory to support DM pins with ECC. DM pins can be connected, if needed, or left unconnected.

ECC encode functionality adds latency to Writes. RMW support adds one cycle of latency to multiplex in Read data (in addition to latency of the full Read transaction.) The Control state machines support the additional cycles of latency between Write FIFO pop and data appearing at the PHY interface.

For debugging and testing, the ECC encode process allows you to insert single or double bit errors into the data being written for test purposes. The error insertion logic can be parameterized out.

ECC Memory Organization and Word Size

Table 44 describes the ECC word size and number of extra memory data bits needed for different organizations of memory. The `RdModWr` flag must be set according to the alignment across the ECC word size over a memory burst length of 4.

Note: The PHY data calibration algorithm requires that a full ECC byte lane be present on the board although fewer bits might be used by the ECC algorithm.

Table 44: ECC Word Size

Memory Type	Memory Data Width	Physical Memory ECC Data Width (C_NUM_ECC_BITS)	ECC Word Size
DDR/DDR2	8	8	2 Instances of 8 + 5 Check Bits
DDR/DDR2	16	8	2 Instances of 16 + 6 Check Bits
DDR/DDR2	32	8	2 Instances of 32 + 7 Check Bits
DDR/DDR2	64	8	2 Instances of 64 + 8 Check Bits
SDRAM	8	5	8 + 5 Check Bits
SDRAM	16	6	16 + 6 Check Bits
SDRAM	32	7	32 + 7 Check Bits
SDRAM	64	8	64 + 8 Check Bits

ECC Registers

The Table 29, page 43 summarizes the ECC related registers which are included with the ECC logic for the MPMC when ECC is enabled (`C_INCLUDE_ECC_SUPPORT = 1`). The following subsections describe each register in greater detail and provide the bit definitions.

ECC Control Register

The ECC Control register (ECCC) determines if ECC check bits are generated during memory write operation and checked during a memory read operation. The ECCC also defines testing modes if enabled by the parameter `C_INCLUDE_ECC_TEST`.

Table 45 describes the bit values for the ECCC register bits.

Table 45: ECCC Register Bit Definitions

Bit(s)	Name	Core Access	Reset Value	Description
0:26				Reserved
27	FORCE_PE	R/W	0	Force Parity Field Bit Error ⁽¹⁾ : Available for testing and determines if parity field bit errors are forced in the data stored in the memory. See ECC Testing for more information. 0 = No parity field bit errors are created 1 = Parity field bit errors are forced in stored data
28	FORCE_DE	R/W	0	Force Double-bit Error ⁽¹⁾ : Available for testing and determines if double-bit errors are forced in the data stored in the memory. 0 = No double-bit errors are created 1 = Double-bit errors are forced in the stored data
29	FORCE_SE	R/W	0	Force Single-bit Error ⁽¹⁾ : Available for testing and determines if single-bit errors are forced in the data stored in the memory. 0 = No single-bit errors are created 1 = Single-bit errors are forced in the stored data
30	RE	R/W	1 ⁽²⁾	ECC Read Enable: 0 = ECC read logic is bypassed 1 = ECC read logic is enabled
31	WE	R/W	1 ⁽²⁾	ECC Write Enable: 0 = ECC write logic is bypassed 1 = ECC write logic is enabled

1. This bit is available only if `C_INCLUDE_ECC_TEST = 1`

2. Reset value is determined by parameter `C_ECC_DEFAULT_ON`.

If `C_ECC_DEFAULT_ON = 1` then this bit is equal to 1

If `C_ECC_DEFAULT_ON = 0`, then this bit is equal to 0

ECC Status Register

The ECC Status register (ECCS) in combination with the ECC Error Address register (ECCADDR) records the first occurrence of an error and latches information about the error until the error is cleared by writing to the ECCS.

Table 46 describes the bit values for the ECC Status register.

Table 46: ECCS Status Register Bit Definitions

Bit(s)	Name	Core Access	Reset Value	Description
0:15				Reserved
16:19	ECC_ERR_SIZE	R/ROW ⁽¹⁾	0000	ECC Error Transaction Size. Records the size of the NPI transaction where the error occurred. For ECC_ERR_SIZE field values see Table 22, page 33 under the signal name PIM<Port_Num>_Size.
20	ECC_ERR_RNW	R/ROW ⁽¹⁾	0	ECC ERROR Transaction Read/Write: Indicates if error occurred on a read transactions or a write transaction that employed a read-modify-write operation. 0 = Write Error 1 = Read Error
21:28	ECC_ERR_SYND	R/ROW ⁽¹⁾	00000000	ECC Error Syndrome: Indicates the ECC syndrome value of the most recent memory transaction in which a single-bit error was detected. The 8-bit syndrome value indicates the data bit position in which an error was detected and corrected.
29	PE	R/ROW ⁽¹⁾	0	Parity Field Bit Error: During a memory transaction an error was detected in a parity field bit. 0 = No parity field bit errors detected. 1 = Parity field bit error detected and corrected.
30	DE	R/ROW ⁽¹⁾	0	Double-Bit Error: During a memory transaction a double-bit error was detected and is not correctable. 0 = No double-bit errors were detected. 1 = Double-bit error was detected.
31	SE	R/ROW ⁽¹⁾	0	Single-Bit Error: During memory transaction a single-bit error was detected and corrected. 0 = No single-bit errors were detected. 1 = Single-bit error detected and corrected.

1. ROW = Reset On Write. Any write operation to the ECCSR will reset the register.

ECC Single-Bit Error Count Register

The ECC Single-Bit Error Count register (ECCSEC) records the number of ECC single-bit errors that occurred during the memory transaction on the data bits only. When using the force error feature, the number of errors detected might not be as expected because the force error feature counts the number of memory data beats that have errors, not the number of NPI data beats that have errors. Because the `Read_Modify_Write` might read more data than NPI requested, the count can be misleading. The ECC logic will correct the detected single-bit errors. When the value in this register reaches 4095 (the max count), the next single-bit error detected is not counted. This count consumes 12-bits.

Note: Single bit errors occurring on ECC check bits are covered by the ECCPEC register.

Table 47 describes the bit values for the ECC Single-Bit Error Count register.

Table 47: ECCSEC Bit Definitions

Bit(s)	Name	Core Access	Reset Value	Description
0:19				Reserved
20:31	SEC	R/ROW ⁽¹⁾	0	Single-Bit Error Count. Indicates the number of single-bit errors that occurred during the previous memory transactions. The maximum error count is 4095.

1. ROW = Reset On Write. Any write operation to the ECCSEC register will reset the register.

ECC Double-Bit Error Count Register

The ECC Double-Bit Error Count register (ECCDEC) records the number of ECC double-bit errors that occurred during the memory transaction. ECC cannot correct double-bit errors detected. When the value in this register reaches 4095 (the max count), the next double-bit error detected is not counted. When using the force error feature, the number of errors detected might not be as expected because the force error feature counts the number of memory data beats that have errors, not the number of NPI data beats that have errors.

Table 48 describes the bit values for the ECCDEC.

Table 48: ECCDEC Bit Definitions

Bit(s)	Name	Core Access	Reset Value	Description
0:19				Reserved
20:31	DEC	R/ROW ⁽¹⁾	0	Double-Bit Error Count: Indicates the number of double-bit errors that occurred during the previous memory transactions. The maximum error count is 4095.

1. ROW = Reset On Write. Any write operation to the ECCDEC register will reset the register.

ECC Parity Field Bit Error Count Register

The ECC Parity Field Bit Error Count register (ECCPEC) records the number of bit errors that occurred in the ECC parity field during the memory transaction. ECC logic will correct detected parity field bit errors. When the value in this register reaches 4095 (the maximum count), the next parity field bit error detected is not counted. When using the force error feature, the number of errors detected might not be as expected because the force error feature counts the number of memory data beats that have errors, not the number of NPI data beats that have errors. Because the `Read_Modify_Write` might read more data than NPI requested, the count can be misleading. The ECC logic will correct the detected single-bit errors. When the value in this register reaches 4095 (the max count), the next single-bit error detected is not counted.

Table 49 describes the bit values for the ECCPEC.

Table 49: ECCPEC Bit Definitions

Bit(s)	Name	Core Access	Reset Value	Description
0:19				Reserved
20:31	PEC	R/ROW ⁽¹⁾	0	Parity Field Bit Error Count: Indicates the number of errors that occurred in the parity field bits during the last memory transactions. The maximum error count is 4095.

1. ROW = Reset On Write. Any write operation to the ECCPEC register will reset the register.

ECC Error Address Register

Table 50 describes the bit values for the ECC Error Address (ECCADDR) register.

Table 50: ECCADDR Register Bit Definitions

Bit(s)	Name	Core Access	Reset Value	Description
0:31	ECCERRADDR	RO	N/A	ECC Error Address: Indicates the physical ECC address corresponding to an ECC error reported by the ECC Status register (ECCS). This register value is only valid when an error is actively reported in the ECCS.

Device Global Interrupt Enable Register

The Device Global Interrupt Enable register (DGIE) is used to globally enable the final interrupt output from the ECC interrupt service. Table 51 describes the bit values for the DGIE.

Table 51: DGIE Register Bit Definitions

Bit(s)	Name	Core Access	Reset Value	Description
0	GIE	R/W	0	Global Interrupt Enable: 0 = Interrupts disabled. 1 = Interrupts enabled.
1-31				Reserved

IP Interrupt Status Register

The IP Interrupt Status register (IPIS) is the interrupt capture register for the ECC logic. Table 52 describes the bit values for the IPIS.

Table 52: IPIS Register Bit Definitions

Bit(s)	Name	Core Access	Reset Value	Description
0:28				Reserved
29	PE_IS	R/TOW ⁽¹⁾	0	Parity Field Bit Error Interrupt Status: Indicates a parity field bit error has occurred during the memory data transaction. In the ECC module, parity field bit errors will be corrected as data is read from memory. This interrupt is for system monitoring only and does not indicate corrupt data. 0 = Parity field bit error count is less than C_ECC_PEC_THRESHOLD. 1 = Parity field bit error count is more than C_ECC_PEC_THRESHOLD.
30	DE_IS	R/TOW ⁽¹⁾	0	Double-Bit Error Interrupt Status: Indicates a double-bit data error has occurred during the memory transaction. In the ECC module, double-bit errors can be detected, but not corrected. When this interrupt is asserted, the data read from memory is not valid. 0 = Double-bit error count is less than C_ECC_DEC_THRESHOLD. 1 = Double-bit error count is more than C_ECC_DEC_THRESHOLD.
31	SE_IS	R/TOW ⁽¹⁾	0	Single-Bit Error Interrupt Status: Indicates a single-bit error has been detected during the memory transaction. In the ECC module, single-bit errors will be detected and corrected. This interrupt is for system monitoring only and does not indicate corrupt data. 0 = Single-bit error count is less than C_ECC_SEC_THRESHOLD. 1 = Single-bit error count is more than C_ECC_SEC_THRESHOLD.

1. TOW is Toggle On Write.

Writing a 1 to a bit position within the register causes the corresponding bit position in the register to toggle.

IP Interrupt Enable Register

The IP Interrupt Enable register (IPIE) has an enable bit for each defined bit of the IP Interrupt Status register. Table 53 describes the bit values for the ECC IPIE.

Table 53: IPIE Register Bit Definitions

Bit(s)	Name	Core Access	Reset Value	Description
0:28				Reserved
29	PE_IE	R/W	0	Parity Field Bit Error Interrupt Enable: Enables assertion of the interrupt for indicating parity field bit errors have occurred. 0 = Disabled 1 = Enabled
30	DE_IE	R/W	0	Double-bit Error Interrupt Enable: Enables assertion of the interrupt for indicating double-bit data errors have occurred. 0 = Disabled 1 = Enabled
31	SE_IE	R/W	0	Single-bit Error Interrupt Enable: Enables assertion of the interrupt for indicating single-bit data errors have occurred. 0 = Disabled 1 = Enabled

ECC Testing

To enable testing on the ECC core logic, set `C_INCLUDE_ECC_TEST = 1`. The ECC Control register (ECCC), described in "ECC Registers," page 80, includes control bits for enabling or disabling the test logic. The following list describes possible forcing errors combinations. If any other combination is attempted, no errors will be forced on the data written to memory.

- No bit error forcing
- Force single-bit data errors (ECC Control register (ECCC): `FORCE_SE = 1`)
- Force double-bit data errors (ECC Control register (ECCC): `FORCE_DE = 1`)
- Force parity bit errors (ECC Control register (ECCC): `FORCE_PE = 1`)
- Force single-bit data and single parity field bit errors (ECC Control register (ECCC): `FORCE_SE = 1` and `FORCE_PE = 1`)

For single-bit error testing, a mask shift register forces single-bit errors on the data written to memory. The data mask shift register has the least significant single-bit equal to one. When testing is enabled during a memory write, the shift register clocks the one toward the Most Significant Bit (MSB). You must be careful when trying to predict the pattern. More memory data beats than expected might be written because the Read_Modify_Write reads a full "memory cacheline," merge this with the data sent from the PIM, then write back the entire "memory cacheline." This will result in a different rotation than you might expect.

For double-bit error testing, a data mask shift register forces double-bit errors on the data written to memory. The data mask shift register has two adjacent bits equal to one (starting in the two least significant bit positions) and rotates the "11" pattern in the shift register (towards the two most significant bits) on each memory write.

When parity field bit error testing is enabled, a mask shift register forces single-bit errors on the check bits stored in memory. The parity mask shift register has the least significant single-bit equal to one and rotates the one (toward the MSB) on each memory write.

Performance Monitoring

The MPMC Performance Monitor (PM) is an optional per-port feature that counts transaction lengths across each NPI interface, and is supported on Spartan-3, Spartan-6, Virtex-4, Virtex-5, and Virtex-6. The PM provides the ability to instrument and measure the performance of the MPMC by collecting transactional statistics at the NPI level relative to the memory clock rate. Each PM is capable of capturing the duration, size, read or write, and dead cycle counts of each transaction. These are stored into a block RAM and are retrievable over the MPMC_CTRL Slave PLB v4.6 interface. PM cycle counts only represent transactions across the NPI interface and do not include latency of attached PIMs or user NPI logic.

The following subsections describe the PM:

- [PM Features](#)
- [Performance Monitor Operation](#)
- [Performance Monitor Measurement Methodology](#)
- [Performance Monitoring Usage Example](#)
- [Performance Monitor Registers](#)

PM Features

The PM provides:

- An optional configurable length global cycle counter.
- An optional configurable length arbitration dead cycle counter for each port.
- The MPMC_CTRL Slave PLB v4.6 interface to control and collect data from the Performance Monitors.
- A performance monitor state machine and data collector consuming one block RAM per port enabled.
- PM registers.

Performance Monitor Operation

The following subsections provide an outline of the PM measurement methodology and give an example of the steps in a PM monitoring session.

Performance Monitor Measurement Methodology

The cycle counts recorded in each data bin is recorded as following:

- Data Bin Read Transactions: Number of memory clock cycles from NPI_<PortNum>AddrReq until last data is popped from data FIFO.
- Data Bin Write Transactions: Number of memory clock cycles from NPI_<PortNum>AddrReq until the later of NPI_<PortNum>AddrAck or the last push into the data FIFO.
- Global Cycle Counter: Counts each memory clock cycle after at least one PM is enabled.
- Dead Cycle Counter: Counts the number of memory cycles from NPI_<PortNum>AddrReq until granted by NPI_<PortNum>AddrAck.

Performance Monitoring Usage Example

An example PM session includes the following steps:

1. Disable any currently enabled PMs by writing zeros to the Performance Monitor Control register.
2. Clear the PM counters by writing ones to the Performance Monitor Clear register.
3. Wait for the clear operation to complete by polling the Performance Monitor Status register for all PMs bits set as one.
4. Clear PM status by writing ones to the Performance Monitor Status register.
5. Enable PM counting by writing ones to the Performance Monitor Control register.
6. Execute user task to be monitored.
7. Stop the PM counting by writing ones to the Performance Monitor Control register.
8. Read each data bin value, typically looping through each set of 32 data bins, read/write set, qualifier set, and finally each PM.
9. Read the Performance Monitor Global Cycle Count register for total test time.
10. Read the Performance Monitor Dead Cycle Count register of each PM for cycles lost to arbitration grant delays.
11. Prepare for next task monitoring by either re enabling the PMs or executing the clear process.

Performance Monitor Registers

PM registers detailed in the following subsections are available that perform these actions:

- Capture performance statistics (PMCTRL)
- Monitor the status of the clear issued to the PM data bins (PMSTATUS)
- Contain the current value of the global cycle counter (PMGCC)
- Contain the current value of the dead cycle counter for each port (PMx_DCC)
- Contain the transaction information for the performance monitors (PMx_DATA_BINx)

The PM registers are:

- [Performance Monitor Control Register](#)
- [Performance Monitor Clear Register](#)
- [Performance Monitor Status Register](#)
- [Performance Monitor Global Cycle Count Register](#)
- [Performance Monitor Dead Cycle Count Register](#)
- [Performance Monitor Data Bin Registers](#)

Performance Monitor Control Register

The Performance Monitor Control register (PMCTRL) sets the enable bits for performance monitors to capture statistics and place them in the data bins. Initially, the performance monitors are not enabled and the data bins are initialized to 0.

The performance monitor enable bit should be set to 0 when reading back data to maintain consistent data across all the data bins. Setting the performance monitor enable bit to 1 will immediately start capturing data and also enable the dead cycle counters, if the parameter is enabled.

If the global cycle counter is enabled, it will count when any of the enable bits are high. [Table 54](#) describes the PMCTRL register bits.

Table 54: PMCTRL Register Bit Definitions

Bit(s)	Name	Core Access	Reset Value	Description
0	PM0_ENABLE	R/W	0	1 = Enable PM0 0 = Disable PM0
1	PM1_ENABLE	R/W	0	1 = Enable PM1 0 = Disable PM1
2	PM2_ENABLE	R/W	0	1 = Enable PM2 0 = Disable PM2
3	PM3_ENABLE	R/W	0	1 = Enable PM3 0 = Disable PM3
4	PM4_ENABLE	R/W	0	1 = Enable PM4 0 = Disable PM4
5	PM5_ENABLE	R/W	0	1 = Enable PM5 0 = Disable PM5
6	PM6_ENABLE	R/W	0	1 = Enable PM6 0 = Disable PM6
7	PM7_ENABLE	R/W	0	1 = Enable PM7 0 = Disable PM7
8:14	Reserved			Reserved
15	PM_GC_CLR	W	X	1 = Clear Global Cycle Counter 0 = No Action
16	PM0_DCC_CLR	W	X	1 = Clear Dead Cycle Counter PM0 0 = No Action
17	PM1_DCC_CLR	W	X	1 = Clear Dead Cycle Counter PM1 0 = No Action
18	PM2_DCC_CLR	W	X	1 = Clear Dead Cycle Counter PM2 0 = No Action
19	PM3_DCC_CLR	W	X	1 = Clear Dead Cycle Counter PM3 0 = No Action
20	PM4_DCC_CLR	W	X	1 = Clear Dead Cycle Counter PM4 0 = No Action
21	PM5_DCC_CLR	W	X	1 = Clear Dead Cycle Counter PM5 0 = No Action

Table 54: PMCTRL Register Bit Definitions (Cont'd)

Bit(s)	Name	Core Access	Reset Value	Description
22	PM6_DCC_CLRI	W	X	1 = Clear Dead Cycle Counter PM6 0 = No Action
23	PM7_DCC_CLR	W	X	1 = Clear Dead Cycle Counter PM7 0 = No Action
24-31	Reserved			Reserved

Performance Monitor Clear Register

The Performance Monitor Clear register (PMCLR) facilitates clearing the block RAMs used for the PM data bins back to 0. It also used to clear the dead cycle counters and global cycle counter to 0.

This is a write-only register. Writing a 1 to the clear bits clears the counters immediately, and starts the clearing of the data bins. Because the data bins are stored in a block RAM, it takes approximately 512 clock cycles to clear the data bins to 0. To monitor the status of the clear, check the PMSTATUS register.

Table 55 describes the PMCLR register bits.

Table 55: PMCLR Register Bit Definitions

Bit(s)	Name	Core Access	Reset Value	Description
0	PM0_DATABIN_CLR	W	X	1 = Clear all data bin storage PM0
1	PM1_DATABIN_CLR	W	X	1 = Clear all data bin storage PM1
2	PM2_DATABIN_CLR	W	X	1 = Clear all data bin storage PM2
3	PM3_DATABIN_CLR	W	X	1 = Clear all data bin storage PM3
4	PM4_DATABIN_CLR	W	X	1 = Clear all data bin storage PM4
5	PM5_DATABIN_CLR	W	X	1 = Clear all data bin storage PM5
6	PM6_DATABIN_CLR	W	X	1 = Clear all data bin storage PM6
7	PM7_DATABIN_CLR	W	X	1 = Clear all data bin storage PM7
8:14	Reserved	NA	NA	Reserved
15	PM_GCC_CLR	W	X	1= Clear Dead Cycle Counter
16	PM0_DCC_CLR	W	X	1= Clear Dead Cycle Counter Port 0
17	PM1_DCC_CLR	W	X	1= Clear Dead Cycle Counter Port 1
18	PM2_DCC_CLR	W	X	1= Clear Dead Cycle Counter Port 2
19	PM3_DCC_CLR	W	X	1= Clear Dead Cycle Counter Port 3
20	PM4_DCC_CLR	W	X	1= Clear Dead Cycle Counter Port 4
21	PM5_DCC_CLR	W	X	1= Clear Dead Cycle Counter Port 5
22	PM6_DCC_CLR	W	X	1= Clear Dead Cycle Counter Port 6
23	PM7_DCC_CLR	W	X	1= Clear Dead Cycle Counter Port 7

Performance Monitor Status Register

The Performance Monitor Status register (PMSTATUS) is used to monitor the status of the clear issued to the pm data bins. When all data bins in a PM have been cleared, the PM clear status bit is 1. This is used to ensure that the performance monitors have been successfully cleared before enabling them. The PM clear status bit will remain 1 until it is cleared by writing a 1 to toggle the bit.

Table 56 describes the PMSTATUS register bits.

Table 56: PMSTATUS Register Bit Definition

Bit(s)	Name	Core Access	Reset Value	Description
0	PM0_CLR_STATUS	R/TOW	X	1 = Data bin for PM0 is finished clearing 0 = Data bin for PM0 is not finished clearing, or clear has not been started
1	PM1_CLR_STATUS	R/TOW	X	1 = Data bin for PM1 is finished clearing 0 = Data bin for PM1 is not finished clearing, or clear has not been started
2	PM2_CLR_STATUS	R/TOW	X	1 = Data bin for PM2 is finished clearing 0 = Data bin for PM2 is not finished clearing, or clear has not been started
3	PM3_CLR_STATUS	R/TOW	X	1 = Data bin for PM3 is finished clearing 0 = Data bin for PM3 is not finished clearing, or clear has not been started
4	PM4_CLR_STATUS	R/TOW	X	1 = Data bin for PM4 is finished clearing 0 = Data bin for PM4 is not finished clearing, or clear has not been started
5	PM5_CLR_STATUS	R/TOW	X	1 = Data bin for PM5 is finished clearing 0 = Data bin for PM5 is not finished clearing, or clear has not been started
6	PM6_CLR_STATUS	R/TOW	X	1 = Data bin for PM6 is finished clearing 0 = Data bin for PM6 is not finished clearing, or clear has not been started
7	PM7_CLR_STATUS	R/TOW	X	1 = Data bin for PM7 is finished clearing 0 = Data bin for PM7 is not finished clearing, or clear has not been started
8:31	Reserved			Reserved

Performance Monitor Global Cycle Count Register

The Performance Monitor Global Cycle Count register (PMGCC) is a read-only 64-bit register that contains the current value of the global cycle counter. This register is only available if the global cycle counter is enabled. Its width can be up to 64 bits, and is padded to the left with zeros, if the counter width is smaller than 64 bits. The PMGCC counts the total number of memory clock cycles that have elapsed because at least one PM has been enabled. The PMGCC is a useful absolute time base of a performance monitoring session.

Performance Monitor Dead Cycle Count Register

The Performance Monitor Dead Cycle Count registers (PMx_DCC) is a read-only 64-bit register that contains the current value of the dead cycle counter for each port.

This register is only available if the dead cycle counter has been enabled for that the port. Its width can be up to 64 bits, and is padded to the left with zeros, if the counter width is smaller than 64 bits.

Each dead cycle count represents a NPI clock cycle where a request was not immediately acknowledged by the arbiter. This is useful to measure how many cycles a particular port has waited because performance monitoring was first enabled.

Dead cycles typically occur due to the MPMC controller processing older or higher priority port accesses or the memory being unavailable during external memory maintenance.

Performance Monitor Data Bin Registers

The Performance Monitor Data Bin registers (PMx_DATA_BINx) contain the transaction information for the performance monitors. Each performance monitor contains 512 36-bit data bins. These values are read-only 36-bit registers that are padded with zeros on the left to expand them to 64 bits. Therefore, each performance monitor data bin will be 8 kb of data.

Each bin contains a count of transactions for a specific PM port, the NPI transaction type, the transaction direction, and the exact number or range of clock cycles elapsed. For example, one data bin on PIM port 2 might contain the total quantity of 32-word burst-type Write transactions which lasted between 8 and 15 clock cycles because the PM was first enabled.

Data Bin Organization

Each PM is divided into eight qualifiers, indicating the transaction size. These qualifiers are then subdivided into Writes and Reads. This allows 32 bins per qualifier each write and read. The bins themselves represent the transaction length of that particular qualifier. The 36-bit number the bin contains represents how many times that transaction length has been counted.

Qualifier Definitions

The following table describes the qualifier definitions.

Qualifier	Description
0	Byte – Double Words
1	Cache Line 4
2	Cache Line 8
3	Burst 16
4	Burst 32
5	Burst 64
6	Reserved
7	Reserved

Data Bin Organization

The following table describes the Data Bin organization.

Qualifier Type	Access Type	Bin No.	Offset from PMx_DATABINx
0	Write	0	0x000
		1	0x008
	
		31	0x0F8
	Read	0	0x100
		1	0x108
	
		31	0x1F8
1	Write	0	0x200
		1	0x208
	
		31	0x2F8
	Read ...	0	0x300
		1	0x308
	
		31	0x3F8
7	Write	0	0xE00
		1	0xE08
	
		31	0xEF8
	Read	0	0xF00
		1	0xF08
	
		31	0xFF8

The bin number represents the length of the transaction in cycles shifted by the `C_PM_SHIFT_BY` parameter. This allows a trade between the maximum length of a transaction that can be recorded and the granularity of the transaction lengths. The number the bin contains is the number of times that particular transaction length was recorded.

The following table shows the `C_PM_SHIFT_BY` relationship of Bin Number to Transaction Length.

C_PM_SHIFT_BY	Bin Number	Transaction Length (cycles)
0	0	0
	1	1

	31	31+
1	0	0-1
	1	2-3

	31	62-63+
2	0	0-3
	1	4-7

	31	124-127+
3	0	0-7
	1	8-15

	31	248-258+

Configurable Physical Interface

The MPMC Physical Interface (PHY) is the interface situated between memory and the MPMC address path, control path, and data path. The PHY interface can be configured to support SDRAM, DDR SDRAM, and DDR2 SDRAM memories across Virtex-4, Virtex-5, and Spartan-(3/3A/3E/3AN/3ADSP) platforms.

DDR2 SDRAM, and DDR3 SDRAM are supported on Virtex-6 only. Low Power DDR (LPDDR - also known as Mobile DDR) is not supported by any PHY interface on these architectures.

The following subsections describe these topics:

- [Available PHY Interface by FPGA Device](#): Provides the by-device memory type support.
- [Connecting Memory to the PHY Interface](#): Provides a table of the signals and parameters per PHY layer.
- [Memory Interface Generator PHY Interface](#): (MIG)-based PHY interface is a DDR/DDR2/DDR3 physical memory interface core/reference design technology used by MPMC. See "[Reference Documents](#)," [page 234](#) for links to more information about MIG. This is the recommended PHY interface. Using MIG-based PHY requires that you follow the MIG FPGA pinout and board layout guidelines. You must use the MIG tool to generate pinout, placement, and timing constraints (UCF file constraints) for MPMC designs.
- [Static PHY Interface](#): Use the Static PHY when MIG pinout and layout guidelines were not followed. The Static PHY is currently available for SDRAM, DDR and DDR2 memories except on Virtex-6.
- [SDRAM PHY Interface](#): The interface between the Single Data Rate Access Memory (SDRAM) and the MPMC control path, address path, and data path. The SDRAM PHY interface supports Virtex-4, Virtex-5, and Spartan-(3/3E/3A/3AN/3ADSP) platforms. MPMC can read and write to Mobile SDRAM devices, but MPMC does not make use of the low power features of Mobile SDRAM, such as deep power down or partial-array refresh. The SDRAM PHY makes use of the Static PHY logic for data capture.

Available PHY Interface by FPGA Device

Table 57 summarizes the available PHY interfaces available for each FPGA device family and memory combination.

Table 57: PHY Layer by Xilinx FPGA Family and Memory Type

FPGA Family	Memory Type			
	DDR3	DDR2	DDR	SDRAM
Virtex-6	MIG-Based Virtex-6 DDR3 PHY ⁽¹⁾	MIG-Based Virtex-6 DDR2 PHY ⁽¹⁾	/	/
Virtex-5		MIG-Based Virtex-5 DDR2 PHY ⁽¹⁾ Static PHY	MIG-Based Virtex-5 DDR PHY ⁽¹⁾ Static PHY	SDRAM PHY ⁽¹⁾
Virtex-4		MIG-Based Virtex-4 DDR2 PHY ⁽¹⁾ Static PHY	MIG-Based Virtex-4 DDR PHY ⁽¹⁾ Static PHY	SDRAM PHY ⁽¹⁾
Spartan-3 Spartan-3E Spartan-3A Spartan-3AN Spartan-3ADSP		MIG-Based Spartan-3 DDR2 PHY ⁽¹⁾ Static PHY	MIG-Based Spartan-3 DDR PHY ⁽¹⁾ Static PHY	SDRAM PHY ⁽¹⁾

1. Note: Default selection.

Connecting Memory to the PHY Interface

The PHY interface permits connections to 8-, 16-, 32-, and 64-bit SDRAM, DDR, or DDR2 memories on Spartan-3/Virtex-4/Virtex-5. The PHY interface permits connections to 8-,16-, and 32-bit DDR2 or DDR3 on Virtex-6.

Table 58 lists the unique signals and parameters for each available PHY layer (excluding standard memory and clock signals):

Table 58: Signals and Parameters per PHY Layer

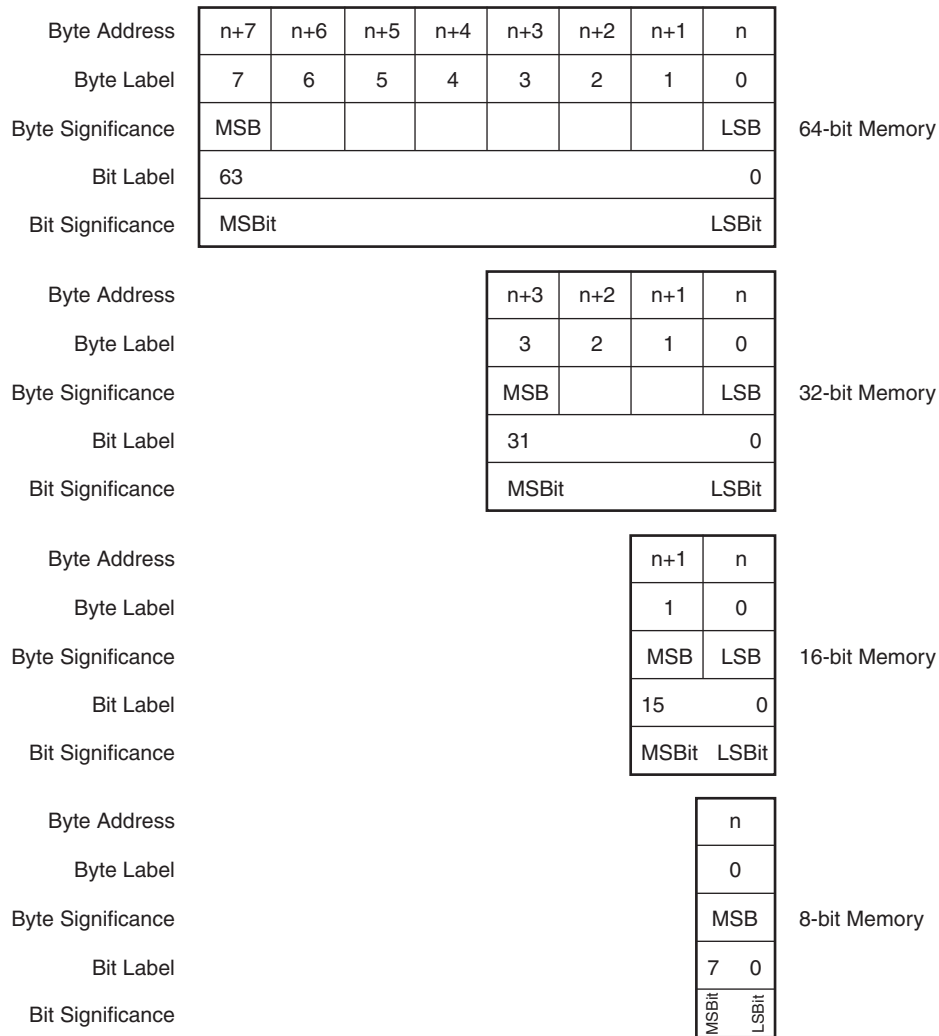
PHY Layer	Signals	Parameters
MIG-Based Virtex-6 DDR2/DDR3 PHY	MPMC_Clk_Mem MPMC_Clk_200MHz MPMC_Clk_Rd_Base	C_MEM_NDQS_COLO C_MEM_DQS_LOC_COLO C_IODELAY_GRP
MIG-Based Virtex-5 DDR2 PHY	MPMC_Clk0_DIV2 MPMC_Clk_200MHz MPMC_Idelayctrl_Rdy_I (optional) MPMC_Idelayctrl_Rdy_O (optional)	C_NUM_IDELAYCTRL C_IDELAYCTRL_LOC
MIG-Based Virtex-5 DDR PHY MIG-Based Virtex-4 DDR2 PHY MIG-Based Virtex-4 DDR PHY	MPMC_Clk_200MHz MPMC_Idelayctrl_Rdy_I (optional) MPMC_Idelayctrl_Rdy_O (optional)	C_NUM_IDELAYCTRL C_IDELAYCTRL_LOC
MIG-Based Spartan-3 DDR PHY	DDR_DQS_Div_I DDR_DQS_Div_O	N/A

Table 58: Signals and Parameters per PHY Layer (Cont'd)

PHY Layer	Signals	Parameters
MIG-Based Spartan-3 DDR2 PHY	DDR2_DQS_Div_I DDR2_DQS_Div_O	N/A
SDRAM PHY	MPMC_Clk_Mem MPMC_DCM_PSEN MPMC_DCM_PSINCDEC MPMC_DCM_PSDONE	C_STATIC_PHY_RDDATA_CLK_SEL C_STATIC_PHY_RDENDELAY
Static PHY	MPMC_Clk_Mem MPMC_DCM_PSEN MPMC_DCM_PSINCDEC MPMC_DCM_PSDONE	C_STATIC_PHY_RDDATA_CLK_SEL C_STATIC_PHY_RDDATA_SWAP_RISE C_STATIC_PHY_RDENDELAY

The memory data and address signals are marked with little-endian labeling. The following figures ([Figure 7, page 97](#) and [Figure 8, page 99](#)) show the little-endian and big-endian formats. [Table 59, page 98, "Little-Endian Bit and Byte Label Settings,"](#) describes the little-endian bit and byte labeling for the data and control signals in the external memory.

Note: Use caution with the connections to the external memory devices to avoid incorrect data and address connections. The bit ordering used in the MPMC memory interface is reversed from the bit ordering used in the memory controllers named `plb_dds`, `plb_dds2`, `opb_dds`, `mch_opb_dds`, and `mch_opb_dds2`. The BSB can be used to create MPMC designs to illustrate correct memory interface connections.



DS43_56_072607

Figure 7: Little-Endian Memory Data Types

Little-Endian Label Settings

Table 59: Little-Endian Bit and Byte Label Settings

Description	Memory Type	MPMC Signal [MSB:LSB]	Memory Signal [MSB:LSB]
Data Bus	All	<memory_type>_DQ [C_MEM_DATA_WIDTH-1:0]	DQ[C_MEM_DATA_WIDTH-1:0]
Bank Address	All	<memory_type>_BankAddr [C_MEM_BANKADDR_WIDTH-1:0]	BA[C_MEM_BANKADDR_WIDTH-1:0]
Address	All	<memory_type>_Addr [C_MEM_ADDR_WIDTH-1:0]	A[C_MEM_ADDR_WIDTH-1:0]
Data	All	<memory_type>_DQ [C_MEM_DATA_WIDTH-1:0]	DQ[C_MEM_DATA_WIDTH-1:0]
Data Strobe	DDR / DDR2	<memory_type>_DQS [C_MEM_DQS_WIDTH-1:0]	UDQS,LDQS (Replicate for number of memory parts)
Differential Data Strobe	DDR2	<memory_type>_DQS_n [C_MEM_DQS_WIDTH-1:0]	UDQS#,LDQS# (Replicate for number of memory parts)
Data Mask	All	<memory_type>_DM [C_MEM_DM_WIDTH-1:0]	UDM,LDM (Replicate for number of memory parts)
ECC Check Bits	All	<memory_type>_DQ [C_MEM_DATA_WIDTH +C_MPMC_CTRL_DATA_WIDTH -1:C_MEM_DATA_WIDTH]	DQ_ECC[C_MPMC_CTRL_DATA_WIDTH-1:0]
ECC Data Strobe	DDR / DDR2	<memory_type>_DQS [C_MEM_DQS_WIDTH +C_MPMC_CTRL_DQS_WIDTH- 1:C_MEM_DQS_WIDTH]	DQS_ECC [C_MPMC_CTRL_DQS_WIDTH-1:0]
Differential ECC Data Strobe	DDR2	<memory_type>_DQS_n [C_MEM_DQS_WIDTH +C_MPMC_CTRL_DQS_WIDTH -1:C_MEM_DQS_WIDTH]	DQSn_ECC [C_MPMC_CTRL_DQS_WIDTH-1:0]
ECC Data Mask	All	<memory_type>_DM [C_MEM_DM_WIDTH +C_MPMC_CTRL_DM_WIDTH -1:C_MEM_DM_WIDTH]	DM_ECC [C_MPMC_CTRL_DM_WIDTH-1:0]

Big-Endian Memory Data Types

Byte address	n	n+1	n+2	n+3	n+4	n+5	n+6	n+7	Double Word	
Byte label	0	1	2	3	4	5	6	7		
Byte significance	MS Byte							LS Byte		
Bit label	0									63
Bit significance	MS Bit									LS Bit

Byte address	n	n+1	n+2	n+3	Word	
Byte label	0	1	2	3		
Byte significance	MS Byte			LS Byte		
Bit label	0					31
Bit significance	MS Bit					LS Bit

Byte address	n	n+1	Halfword	
Byte label	0	1		
Byte significance	MS Byte	LS Byte		
Bit label	0			15
Bit significance	MS Bit	LS Bit		

Byte address	n	Byte	
Byte label	0		
Byte significance	MS Byte		
Bit label	0		7
Bit significance	MS Bit		LS Bit

DS643_64_103007

Figure 8: **Big-Endian Memory Data Types**

Connecting Memory to a DDR2 MPMC Design Example

The following figure illustrates an example of connecting memory to a DDR2 MPMC design.

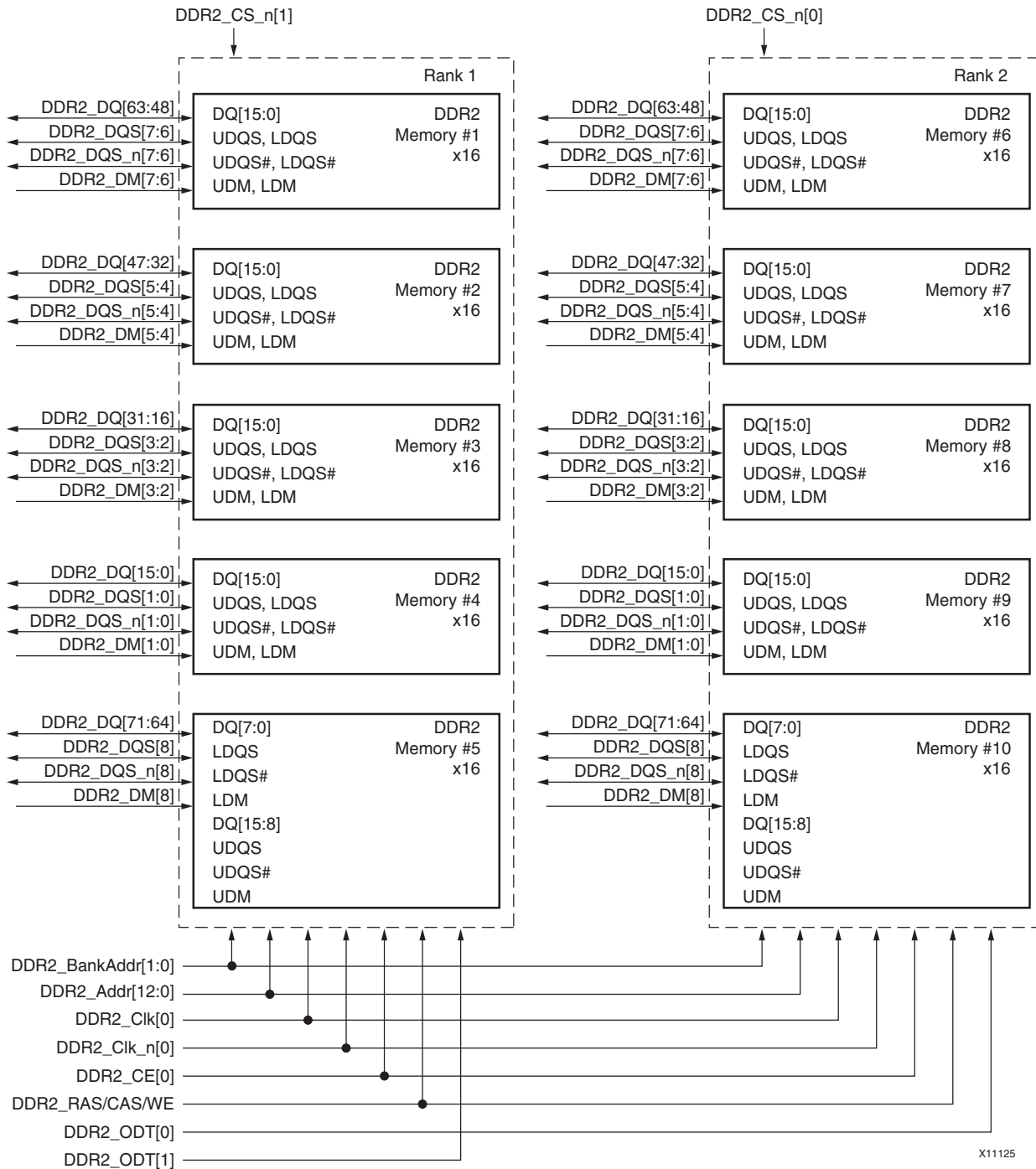


Figure 9: Example DDR2 Memory Connections

The example in [Figure 9, page 100](#) has the following specified parameters:

```
C_MEM_TYPE = "DDR2"
C_INCLUDE_ECC_SUPPORT = 1
C_MEM_CLK_WIDTH = 1
C_MEM_ODT_WIDTH = 2
C_MEM_CE_WIDTH = 1
C_MEM_CS_N_WIDTH = 2
C_MEM_ADDR_WIDTH = 13
C_MEM_BANKADDR_WIDTH = 2
C_MEM_DATA_WIDTH = 64
C_MEM_NUM_RANKS = 2
C_MEM_NUM_DIMMS = 1
```

In this example:

- The DDR2_CS_n[0] signal is connected to one rank of memory and DDR2_CS_n[1] is connected to the other rank of memory. The DDR2_ODT[0] signal is connected to one rank of memory and DDR2_ODT[1] is connected to the other rank of memory.
- Within a particular rank, the signals DDR2_CS_n and DDR2_ODT are connected to each memory in the rank. Some memory manufactures have specific recommendations for how these signals should be connected. For example, when using a dual rank DIMM, the recommendation might be to assert DDR2_ODT on the same rank that DDR2_CS_n is asserted (as shown in [Figure 9, page 100](#)). Other recommendations might be to assert DDR2_ODT on to opposite rank that the DDR2_CS_n is asserted, which can be achieved by swapping DDR2_ODT[0] and DDR2_ODT[1].
- All clock, addresses, and other control signals are also connected to each memory.
- The DDR2_DQ, DDR2_DQS, DDR2_DQS_n, and DDR2_DM signals do not go to all discrete memory components. Instead, 16 bits of DDR2_DQ go to one memory in each rank and 2 bits of DDR2_DQS, DDR2_DQS_n, and DDR2_DM go to one memory in each rank. The only exception is the ECC memory. When C_MEM_DATA_WIDTH is set to 64, there are 8 ECC bits. Because the memory has 16 bits; 8 of the DQ bits, the UDQS, the UDQS numbers, and the UDM are left unconnected. All other pins are connected on the memory.

The parameters C_MEM_CLK_WIDTH, C_MEM_CE_WIDTH, C_MEM_CS_N_WIDTH, and C_MEM_ODT_WIDTH can be used to replicate the CLK, CKE, CSn, and ODT outputs of MPMC to match the board schematics. Care must be taken with C_MEM_CS_N_WIDTH and C_MEM_ODT_WIDTH as these parameters must be an integer multiple of C_NUM_RANKS*C_NUM_DIMMS.

Memory Interface Generator PHY Interface

The following subsections describe the Memory Interface Generator (MIG)-based PHY Interface:

- [MIG PHY Features](#)
- [MIG-Based PHY Design Considerations](#)
- [MIG/MPMC Tool Flow](#)
- [MIG Spartan-3 Design Considerations](#)
- [Board Considerations](#)
- [MIG Virtex-4 Design Considerations](#)
- [Additional MIG Information](#)

MIG PHY Features

The Memory Interface Generator (MIG)-based PHY interface contains:

- Input and output flip-flops
- Read data delay logic
- Data capture logic
- Memory initialization logic

The read data delay logic uses IDELAYs for Virtex-4, Virtex-5, and Virtex-6 families, and Look-Up Table (LUT) delays for Spartan-3 platforms. The delay logic is used to align the middle of the valid read data to the MPMC_C1k0 clock edge. This is necessary to accommodate for variations in trace delays on different boards. The delay elements change the time that the read data arrives at the FPGA to align it to the main clock.

In the Virtex-4, Virtex-5, and Virtex-6 families, this alignment is done as part of the memory initialization logic. At the end of the initialization or configuration sequence, the PHY issues dummy Write and Read commands.

The delay logic then determines the edges of the input data and shifts the input data to allow MPMC_C1k0 to capture the data. To ensure a robust interface, match the trace lengths for the data signals to the corresponding data strobe signal and ensure that the proper FPGA I/O pin selections are made as described in the *Memory Interface Solution User Guide*. "[Reference Documents](#)," [page 234](#) has a link to the MIG web page.

In DDR, DDR2, and DDR3 cases, the data capture logic takes the DDR read data and turns it into Single Data Rate (SDR) data. The PHY then pushes the data into the data path FIFOs, making it available to the NPI and then to any additional user PIMs.

For more information on the use of IDELAY in DDR, DDR2 and DDR3 applications see the *Memory Interfaces Data Capture Using Direct Clocking Technique* document. The "[Reference Documents](#)," [page 234](#) contains a link to this document.

For more information about the MIG physical interface design, register and download the MIG design. The "[Reference Documents](#)," [page 234](#) contains a link to the Xilinx Memory web page where the MIG design is located.

MIG-Based PHY Design Considerations

The following are design considerations for using the MIG-based PHY interface:

- This version of MPMC is designed to be used with MIG v3.6.1. Other MIG versions (either older or newer) might not produce a User Constraint File (UCF) compatible with this version of MPMC. For migrating the UCF file from older MPMCv3 and MPMCv4 designs (based on MIGv1.73-MIGv3.3) to MPMC5, the following options are available:
 - The MIG v3.6.1 GUI provides an **Update Design** option that generates MIG v3.6.1 constraints using an older project files from MIG v.173, v2.0, 2.1, 2.2, 2.3 or 3.0,3.1,3.2 or 3.3. If your design originally used an older MIG version, it is strongly recommended that you use this option to update the design to make sure the correct constraints are being used.
 - Scripts and instructions are provided to migrate MPMC designs manually:
 - For migration of MPMCv3 designs based on MIG v1.73 to MPMCv5. See ["Standalone Flow: Migrating an MPMCv3 Design to MPMCv5,"](#) page 107 for more information.
 - For migration of MPMCv4 Virtex-5 DDR2 designs to MPMCv5, see ["Standalone Flow: Migrating an MPMCv4 Virtex-5 DDR2 Design to MPMCv5,"](#) page 108 for more information.

However, it is strongly recommended that the **Update Design** option in the MIG GUI be used instead of the manual or scripted method. These manual or scripted methods are intended to be used to help debug the migration of older MPMC designs only.

- When running the MIG GUI in standalone mode, ensure that the MIG memory settings match the parts you intend to use on your custom board and also match your MPMC memory settings. In particular, ensure that memory parameters that affect the memory interface placement like data width, number of rows, columns, bank bits, and memory types are correct and consistent.
- Virtex-5 DDR2 boards must be designed to support differential DQS.
- It is required and extremely important to ensure that the layout and pinout of any other boards to be used with MPMC follow the MIG design requirements. Failure to follow MIG design rules and all applicable MIG UCF constraints could result in an inoperable MPMC. Review all information in this section before implementing the design.
- If using ECC, ensure that the board supports a full 8-bit wide data byte lane for the ECC check bits. In previous versions of MPMC, only 4 physical bits were used for ECC, but this version of MPMC requires the full byte lane to be present to accommodate the PHY data calibration algorithm.
- During memory initialization (following reset), the Virtex-4, Virtex-5, and Virtex-6 MIG-based PHY writes to the top locations in memory to set up the write training pattern. This can affect memory address between {C_MPMC_HIGHADDR - 0xFF} and C_MPMC_HIGHADDR; therefore, after any reset, these locations in memory are overwritten.
- Software code should not be stored in the top 0x100 address locations of memory. If using shadow memory, review the ["Address Encoding,"](#) page 68 to determine which address locations are overwritten.
- In multi-rank systems, the MIG PHY only calibrates its data capture timing to one of the ranks on one of the DIMMs. Differences in timing, process variation across memory devices, or bus loading affects across ranks reduces timing margin and can affect the frequency range of operation.

Note: Multi-rank and multi-DIMM systems are not tested or characterized by MIG. You must ensure that the maximum skew and signal integrity is controlled across ranks. The use of multi-rank designs is strongly discouraged. The use of multi-DIMM designs is currently unsupported.

MIG/MPMC Tool Flow

This section outlines the MPMC to MIG tool flow. MIG is a tool that is delivered within the Xilinx CORE Generator software tool. There are two options for using MIG with MPMC:

- [Integrated MIG GUI Flow](#)
- [Standalone MIG GUI Flow](#)

The integrated flow manages the MIG project automatically and is therefore recommended. The standalone flow provides a more manual flow for converting a MIG pinout into MPMC. The following subsections describe the options.

Integrated MIG GUI Flow

The Integrated MIG GUI flow offers a simplified method for working with the MIG GUI to generate a memory interface pinout and constraint file. It is available for Spartan-3, Virtex-4, Virtex-5, or Virtex-6 designs only. In this flow, the MIG GUI is invoked from within the MPMC GUI and the output of the MIG tool is imported and managed automatically by EDK. This flow has fewer steps for running MIG to generate MPMC pinouts and constraints within the XPS GUI. The integrated flow seeds the Core Generator software project files and the MIG GUI project files automatically and eliminates some of the option screens from within the MIG GUI by inferring them from the MPMC settings.

The disadvantage of this flow is that it reduces visibility into the tool interactions which can make debugging, handling special cases, or workarounds more difficult to implement. This flow is recommended for new designs. For designs with existing MPMC and MIG projects built under the previous "[Standalone MIG GUI Flow](#)", it is recommended that the standalone flow continue to be used although you can use the integrated flow to update an older MIG project.

Note: BSB MPMC designs use the standalone flow for handling the MPMC UCF constraints.

The following steps describe the integrated flow. Refer to the device-specific *Memory Interface Solution User Guide* for more information on options in the MIG GUI.

1. Ensure that you have installed the CORE Generator software and any available updates. Although the CORE Generator software is not invoked in GUI mode, the tool is executed at the command line by underlying scripts.
2. Using the MPMC IP configuration GUI, configure MPMC for your application. This process is described in "[IP Configuration Graphical User Interface](#)," page 228.
3. Configure MPMC as needed; ensure the Memory Interface tab has all the memory information.
4. Click the MIG Settings tab, and check the **USE Integrated MIG GUI Flow** box to enable the integrated MIG GUI flow. This will allow the **Launch MIG** button to be active; click this button to open MIG.
5. In the MIG **Output Options** window, select **Create Design > Next**.
6. In the MIG **Pin Compatible FPGAs** window, check any other devices that the pinout must use to be compatible, then click **Next**.
7. In the MIG **FPGA Options** and **Extended FPGA Options** windows, make the appropriate selections, then click **Next**.
 - a. The selection of Single Ended or Differential System Clock does not affect the MPMC.
 - b. For Spartan device designs, select the top/bottom clock input location to match the location of the Global Clock Buffer (BUFG) driving the memory clock (PORT MPMC_C1k0) in the final system design.
8. In the **MIG Reserve Pins** window, select any pins that you want the MIG tool not to use in its pin assignments.

Note: The **Read UCF File** option only reads in a specially formatted file listing pins to prohibit. Consult the MIG documentation to make sure the correct file formatting is used to reserve pins.

9. For a new pinout only: Choose **New Design** and click **Next**.
 - a. In the MIG **Bank Selection** window, select the banks to which you want to allow MIG to assign pins. You must select enough banks to meet the required pin count totals. Click **Next**. Continue to step 11.
10. For existing pinout only: **Choose Fixed Pin Out** and click **Next**.
 - a. In the MIG **Pin Selection** window, choose FPGA pin locations for each MIG signal in the **Pin Number** column.

Note: Excess bus width signals should be assigned to dummy locations which will be later ignored.

- a. Click **Next** when I/O location entry is complete.
11. In the MIG **Summary** window, review the options and click **Next**.
12. In the MIG **Memory Model License** window, mark the checkbox if memory models are desired, then click **Generate** to run MIG and create the constraint files. This returns you to the MPMC GUI.

The memory simulation models created in this step are not imported by EDK and MPMC. To use these models in an MPMC simulation, the testbench from the raw MIG project can be merged manually into the user top-level testbench. See the "[Integrated MIG GUI Flow: Additional Information](#)" in the following section for the raw MIG project location.
13. After returning to the MPMC GUI, click **OK** to return to XPS.

The EDK `system.ucf` file is not modified in the Integrated MIG flow.
14. Remove any MPMC/MIG-specific constraints in the EDK `system.ucf` file that were added from previous flows.

See the following subsection for more detailed information about how pinout and constraint information is handled in the Integrated MIG flow.

Integrated MIG GUI Flow: Additional Information

- The MIG project files that are generated in this flow are stored in the `<EDK_Project_File>/__xps/mig`. It is very important to backup and retain these files for future use. Make sure that these files are also kept for project archival or whenever the EDK project needs to be copied or moved.
 - The raw MIG pinout and constraints information are located in `<EDK_Project_Dir>/__xps/mig/gui/*/user_design/par/*.ucf`.
 - The MIG ucf file that is converted to have MPMC compatible instance names is located at `<EDK_Project_Dir>/__xps/mig/platgen/*/user_design/par/*.ucf`. This becomes the core level UCF constraints that are passed to the EDK flow.
 - The core level UCF (renamed with a `.ncf` suffix) used by the EDK/ISE flow during `ngdbuild` is in `<EDK_Project_Dir>/implementation/<MPMC name>/<MPMC name>_wrapper.ncf`.
 - To completely clean away an old run of the MIG GUI to start the process over, remove the `<EDK_Project_Dir>/__xps/mig` directory. This directory contains all the state information for the integrated MIG flow.
- In the integrated MIG flow, the constraints and some parameters are handled automatically. The MIG constraints pass into a core-level constraint file that is merged into the ISE tools during `ngdbuild`. The core-level constraint file contains the memory interface pin location, timing, and area constraints needed for the design.
 - The EDK `system.ucf` file should not contain any memory interface pinout, timing, or placement constraints as they are handled in the integrated flow using the core-level UCF files.
 - The `C_MMCM_EXT_LOC`, `C_MEM_NDQS_COLx` and `C_MEM_DQS_LOC_COLx` parameters are set automatically for Virtex-6. If you are not using the Clock Generator core v3.02.a or greater you must ensure the external MMCM driving the MPMC clocks is set correctly.

- Consider verifying that the design correctly runs through all back end tools, is correctly placed and routed, meets timing, and shows no errors or significant warnings before committing the generated pinout to board layout.
 - Verify in the PAR report that all memory interface pins are “LOCed”. Check the .pad file to view or debug the final memory interface pin locations and IO standards.
 - Review the information in this document and the *Memory Interface Solution User Guide* to ensure key aspects of the MIG PHY such as the template router (Spartan-3) or DIRT strings (Virtex-5) have been placed and routed correctly.
- When the integrated MIG flow is enabled (`C_USE_MIG_FLOW = 1`), MPMC scripts are invoked during the Platgen EDK build phase that check for changes to MPMC configurations that would require MIG to be rerun. If the script flags an MPMC change such as a new memory width, the script generates an error requesting that user rerun the MIG GUI.
- Perform a hardware clean in XPS before rebuilding a design where the MIG GUI settings have been changed.

Standalone MIG GUI Flow

The Standalone MIG GUI flow offers the highest degree of flexibility because the full capability of the MIG GUI is made available. This standalone flow also provides greater visibility into the intermediate files and to the steps for generating an MPMC UCF file from the output of the MIG GUI.

This option is also useful if you use a standalone MIG-based memory controller on the same hardware board platform. This Standalone MIG GUI is the flow used in previous versions of MPMC. The following steps describe how to use the Standalone MIG GUI option:

1. Ensure that you have downloaded any available Core Generator technology IP updates.
2. Create a Core Generator project with the same FPGA device and package to match the EDK project settings. The MIG tool is available under the **View By Function tab > Memories and Storage Elements > Memory Interface Generators**.
3. Ensure that MIG is set to Verilog output mode:
(**Project > Project Options > Generation Tab > Design Entry > Verilog.**)
4. Run the MIG tool version from Core Generator, set up memory part information, data widths, I/O banking locations, and so forth. (If necessary, click the User Guide button and review the board layout requirements for the memory interface.)
5. Click the Generate button to generate a MIG pinout.
6. Clicking the **Generate** button also produces a MIG hardware testbench design at:
`<coregen_project>/example_design`. This testbench design can be run as a standalone hardware design on the board to help test/debug the memory PHY interface.
7. After running the MIG tool, take the UCF file created by MIG located at:
`<coregen_project>/<user_design>/par/<coregen_project>.ucf`.
8. Run the `convert_ucf.pl` script as outlined in "[Standalone Flow: Converting a MIG UCF to an MPMC UCF](#)," [page 107](#) to convert the MIG UCF file to an MPMC UCF file, then copy the UCF information into the `<EDK_Project>/data/system.ucf` file.
9. Update the UCF file to include the correct port names for your design. For example, the `convert_ucf` script produces port names like `fpga_0_DDR_SDRAM_DDR_DQ` and `fpga_0_DDR_SDRAM_DDR_Addr_pin` similar the BSB port naming. Those MPMC UCF port names should be updated to reflect the actual top-level port names in the `system.mhs` file.
10. Ensure that the MPMC Core is configured for the correct memory part and memory configuration in XPS using the MPMC GUI. The MPMC core memory parameters must match the settings in the MIG GUI for the UCF constraints to match the logic that is generated.

11. Retain the MIG project file with the MPMC project files. The original MIG project file might be needed to modify the design, revise to a newer version of MPMC, or for debug and testing.

Note: The UCF file provided with BSB-generated designs might not match the format and values provided by the MIG UCF conversion script when using Xilinx and third-party boards that do not have an exact MIG-generated pinout. In many cases these UCF files are manually generated and maintained.

Standalone Flow: Converting a MIG UCF to an MPMC UCF

In the "[Standalone MIG GUI Flow](#)", you must run a script to modify the MIG-generated UCF file to be compatible with the MPMC design. This involves changing the instance and internal path names of the constraints to match MPMC.

Note: This manual UCF conversion step is not required when the Integrated MIG GUI Flow is used.

A script is provided at:

`<EDK_Install_Dir>/hw/XilinxProcessorIPLib/pcores/mpmc_<version>/data/convert_ucf.pl` to assist with the process of converting a MIG UCF into an MPMC UCF.

After running the MIG tool to generate a Verilog MIG design, take the UCF file from the `/mig_<version>/user_design/par` directory and execute this script in a shell where ISE and EDK tools are in the path environment:

```
xilper1 <EDK InstallDir>
/hw/XilinxProcessorIPLib/pcores/mpmc_<version>/data/convert_ucf.pl
[--mhs <MHS File>] <MIG UCF> <OUTPUT UCF>
```

The optional `--mhs` flag with the entire system `<MHS File>` provided as an argument uses the MHS net names for the memory signals in `<OUTPUT UCF>`. You must add the contents of the `<OUTPUT UCF>` file into the user EDK project UCF manually, such as `<EDK_Project_Dir>/data/system.ucf`.

This script is provided to assist with the process of translating the UCF but it does not necessarily generate a complete working UCF to use with MPMC. You must still verify the output of the script and you might need to adjust it to fit a particular design. Unless the `--mhs` option is used, the script does not completely translate the names of clock, reset, or memory I/O signals to match the top level port names in the EDK design. You must translate these signal names to match your design.

In Virtex-6 designs, you must:

- Open the generated MIG files and obtain the values needed to set MPMC parameters `C_MEM_NDQS_COL0`, `C_MEM_NDQS_COL1`, `C_MEM_DQS_LOC_COL0`, and `C_MEM_DQS_LOC_COL1`. These parameters are located in the `<MIG_project>/user_design/rtl/ip_top` directory in the top-level file of your design name. The MIG parameter names do not have the `C_MEM_` prefix.
- In the UCF file, use `LOC` on the `MMCM` used with MPMC in the same location as specified by MIG.

The MIG tool specifies the location of the `MMCM` external to MPMC that drives the MPMC signals `MPMC_Clk_Rd_Base`, and `MPMC_Clk_Mem`.

The `MMCM` location constraints must be transferred to the UCF file of the MPMC design.

See "[Virtex-6 Clock Logic](#)," page 73 for more information about clocking requirements.

Standalone Flow: Migrating an MPMCV3 Design to MPMCV5

If using the Virtex-4 DDR or DDR2 MIG PHY or the Virtex-5 DDR PHY, no revision (revup) is required. A revup is required for Spartan-3 DDR/DDR2 and Virtex-5 DDR2 MIG PHY designs. You can run MIG and use the **MIG > Update Design** option to open the MIG v1.73 project file and generate a new constraint file. Using MIG to update the constraint file is the strongly recommended flow.

For cases where the **MIG > Update Design flow** is not possible, the following script is provided to revup an MPMC v3.00.a or v3.00.b design that uses a MIG v1.73 PHY to an MPMC v5 design that uses a MIG PHY.

- To revise a Spartan-(3/3A/3AN/3E/3ADSP) DDR or DDR2 design where the **MIG > Update Design flow** is not practical, execute the following commands in a shell where ISE tools are in the path:

```
cd <EDK_Install_Dir>/hw/XilinxProcessorIPLib/pcores/mpmc_<version>/data
```

```
xilper1 revup_s3_ucf.pl <MPMC v3 UCF> <USER UCF>
```

where:

- <EDK_Install_Dir> is the directory in which the EDK is installed.
- <MPMC v3 UCF> is the name of your UCF file from your mpmc_v3_00_a or mpmc_v3_00_b project.
- <USER UCF> is the UCF file to be used in your MPMC project. Delete any constraints containing "RLOC_ORIGIN" statements because these are no longer applicable.

To revise a Virtex-5 DDR2 design from MPMCV3 to MPMCV5, a **MIG > Update Design flow** must be followed. The steps are:

- A MIG project must be generated, if not already existing, using either the integrated or standalone MIG flow.
Note: Because a pinout is already available, all banks can be selected in the bank selection screen.
- If the default MIG pinout generated is not the desired pinout, run the **MIG > Update Design flow** using the MIG project, and a UCF with the desired pinout in a MIG-formatted UCF.
Note: The input UCF parsing to the **MIG > Update Design flow** currently requires strict adherence to the formatting similar to MIG UCF output for complete Update Design UCF parsing.
Warnings in this step relating to missing pins in the UCF can be ignored if similar pins are not used by MPMC. For example the clk200_p, clk200_n, sys_rst_n, phy_init_done, and extra ddr2_cs_n, ddr2_odt, ddr2_ck, and ddr_ck_n ports can be ignored during this step.
- If using the standalone MIG flow, convert the MIG UCF to MPMC and include into the system UCF by completing the steps in "[Standalone Flow: Converting a MIG UCF to an MPMC UCF](#)," page 107. This step can be skipped when using the integrated MIG flow because MPMC converts and manages the final UCF.

More information on the MIG Update Design flow can be found in the MIG documentation. "[Reference Documents](#)," page 234 contains a link to that documentation.

Standalone Flow: Migrating an MPMCV4 Virtex-5 DDR2 Design to MPMCV5

To migrate an existing Virtex-5 DDR2 design from MPMCV4 to MPMCV5, the following actions are necessary. All other MIG PHY types do not need special consideration to be revised.

Note: Tool errors are reported if these steps are not performed.

- In the MHS file, the C_MEM_DQS_IO_COL and C_MEM_DQ_IO_MS parameters are no longer used and must be removed.
- In the UCF file, MPMC specific constraints containing AREA_GROUP and RLOC_ORIGIN must be removed.

Standalone Flow: Migrating an MPMCV5 Virtex-6 Design to MPMCV6

To migrate an existing Virtex-6 design from MPMCV5 to MPMCV6, the following actions are necessary. All other MIG PHY types do not need special consideration to be revised.

In the UCF File:

- Remove/comment the TIG constraint of the net connected to DDR3_Clk, DDR3_Clk_n, DDR2_Clk, and DDR2_Clk_n MPMC ports:
 - # NET fpga_0_DDR3_SDRAM_DDR3_Clk_pin* TIG;
 - # NET fpga_0_DDR3_SDRAM_DDR3_Clk_n_pin* TIG;

- Remove `_T_DCI` suffix from the IOSTANDARD of the net connected to any `DDR3_Clk`, `DDR3_Clk_n`, `DDR2_Clk`, and `DDR2_Clk_n` MPMC ports:
 - `NET fpga_0_DDR3_SDRAM_DDR3_Clk_pin IOSTANDARD = DIFF_SSTL15;`
 - `NET fpga_0_DDR3_SDRAM_DDR3_Clk_n_pin IOSTANDARD = DIFF_SSTL15;`
- Remove/comment the base MMCM location constraint:
 - `# INST */u_mmcm_clk_base LOC = MMCM_ADV_X0Y8;`
- Remove/comment the OCB Monitor OLOGIC location constraint:
 - `# INST */gen_enable_ocb_mon.u_phy_ocb_mon_top/u_oserdes_ocb_mon LOC = OLOGIC_X2Y130;`

In the MHS File:

- On the MPMC instance, remove/comment any `MPMC_Clk_Wr_I0`, `MPMC_Clk_Wr_O0`, `MPMC_Clk_Wr_I1`, `MPMC_Clk_Wr_I1` ports, and connect the former driving net to a new port `MPMC_Clk_Rd_Base`:
 - `# PORT MPMC_Clk_Wr_I0 = clk_400_0000MHzMMCM0_nobuf_varphase`
 - `PORT MPMC_Clk_Rd_Base = clk_400_0000MHzMMCM0_nobuf_varphase`
- On the Clock Generator instance, remove any unused output ports/parameters due to the removal of the MPMC write clocks of the previous step. See "[Virtex-6 Clock Logic](#)," page 73 for an example.
- On the Clock Generator instance, change the `C_PSDONE_GROUP` parameter to `MMCM0` from `MMCM0_FB`:
 - `PARAMETER C_PSDONE_GROUP = MMCM0`
- On the Clock generator instance, change all `C*_VARIABLE_PHASE` values to `FALSE` or removed, except for the port driving the `MPMC_Clk_Rd_Base` signal, which must be set to `TRUE`.
 - `PARAMETER C_CLKOUT3_VARIABLE_PHASE = TRUE #MPMC_Clk_Rd_Base`

MIG Spartan-3 Design Considerations

MPMC uses the Spartan-3 PHY from MIG to implement the physical level interface for Spartan- (3/3A/3AN/3E/3ADSP) platforms with DDR1 or DDR2 memory. The MIG Spartan-3 PHYs use very specific UCF constraints to constrain the pinout and placement of internal elements in the fabric.

These constraints are specific to an individual Spartan-3 device and are not necessarily portable across devices (even if the different devices are in the same package).

Spartan- (3/3A/3AN/3E/3ADSP) devices can have data width limitations depending on part and package size. Verify data width compatibility through the MIG GUI or through the "Supported Devices" section of the device-specific *Memory Interface Solutions User Guide*, in the "Spartan-(3/3A/3AN/3E/3ADSP) FPGA to Memory Interfaces" section. The "[Reference Documents](#)," page 234 contains a link to this resource.

MIG also has guidelines for the board layout of the memory interface so that the PHY functions properly. It is extremely important that any user boards be designed in compliance with the MIG pinout constraints and layout guidelines for Spartan-3 and other MIG PHY families.

MIG provides a GUI in the CORE Generator tool that guides you through the process of generating the pinout and UCF constraints for their design.

MIG Spartan-3 PHY Use of Top/Bottom I/O Banks for Data Signals

MPMC does not support the use of top/bottom memory interface banks for the Spartan-(3/3A/3AN/3E/3ADSP) FPGA families. Do not choose top or bottom banks for the DQ or DQS pins of the memory interface in the MIG tool. You must choose the left or right side banks for the DQ or DQS pins of the memory interface pinout.

MIG Spartan-3 Placement of Calibration Control Area Group and BUFG Driving Memory Clock Port MPMC_Clk0

For Spartan-(3/3A/3AN/3E/3ADSP) designs, ensure that the system clock input pin is correctly specified to the MIG tool. This will cause the MIG tool to place the tap delay circuit and calibration control ("cal_ctl" area group near the BUFG corresponding to the top or bottom location of the system clock input pin). MIG does not allow the use of side BUFGs or DCMs to be directly driving the memory clock. Ensure that in the final design the "cal_ctl" area group corresponds to the location near the BUFG that drives MPMC_Clk0.

For the correct placement of the calibration control circuit near the BUFG, the UCF file uses a device dependent AREA_GROUP directive with SLICE location calculated by the MIG tool. Verify in FPGA Editor that the "cal_ctl" area group contains slice locations near the BUFG driving the memory clocks.

In addition to the area group, the UCF contains an RLOC_ORIGIN directive to align a critical section of the tap delay circuit into a single column inside the "cal_ctl" AREA_GROUP. In MIGv2.3 or later, the AREA_GROUP and RLOC_ORIGIN values should be calculated automatically.

If an older version of MIG was originally used or if clock circuits have changed, it might be necessary to re-run the original MIG project files on the current version of MIG. With the standalone mode, constraints missing from older versions of MIG might need to be corrected. It is also recommended that users verify the correct placement of BUFG, calibration control, and tap delay circuits as described in the following examples.

Spartan-3 Top Bank Clock Selection

The MIG output UCF includes an AREA_GROUP constraint on "cal_ctl". The first value in the RANGE of this constraint is the value in the RLOC_ORIGIN constraint. Here is an example AREA_GROUP from a MIG output UCF:

```
AREA_GROUP "cal_ctl" RANGE = SLICE_X74Y190:SLICE_X85Y203;
```

The first value in the range is X74Y190. This is the RLOC_ORIGIN value and could be missing from MIG v2.2 or older UCF files. The syntax for the constraint that should be present in the UCF file is:

```
INST "infrastructure_top0/cal_top0/tap_dly0/10" RLOC_ORIGIN = X74Y190;
```

Spartan-3 Bottom Bank Clock Selection

The MIG output UCF includes an AREA_GROUP constraint on "cal_ctl". To calculate the RLOC_ORIGIN constraint, take the first value in the AREA_GROUP RANGE and add 10 to the X coordinate. Here is an example AREA_GROUP from a MIG output UCF:

```
AREA_GROUP "cal_ctl" RANGE = SLICE_X74Y4:SLICE_X85Y17;
```

The first value in the range is X74Y4. The new RLOC_ORIGIN value is X84Y4 (because 10 is added to the X coordinate and could be missing from MIG v2.2 or older UCF files.) The syntax for the constraint that should be present in the UCF file is:

```
INST "infrastructure_top0/cal_top0/tap_dly0/10" RLOC_ORIGIN = X84Y4;
```

Ensure that the "cal_ctl" AREA_GROUP is not located on the left or right sides of the chip and that the BUFG driving the MPMC_Clk0 port is located in the same side of the chip near the AREA_GROUP.

To verify that the tap delay circuit, "cal_ctl" AREA_GROUP, and BUFG driving the memory clock are all placed correctly, follow these steps:

1. Open the Post-PAR design.ncd and design.pcf files in the FPGA Editor.
2. Select **Routed Nets** from the **List** window located at the top left-hand side. This shows all the routed net names of the design.
3. Enter ***tap_dly*/tap*** in the **Name Filter** window to select the tap_dly chain, and click the **Apply** button on the right-hand side of the **Name Filter** window.

The displayed nets are now selected in the Array Window.

4. Zoom into the area in the **Array** window where the selected routes are highlighted.
5. If the tap delay circuit is properly constrained, the logic is located in a single column in four sequential Configurable Logic Block (CLBs). This will indicate the `RLOC_ORIGIN` is correct. [Figure 10](#) is a screen capture showing an example of the correct placement of the `tap_dly` circuits.

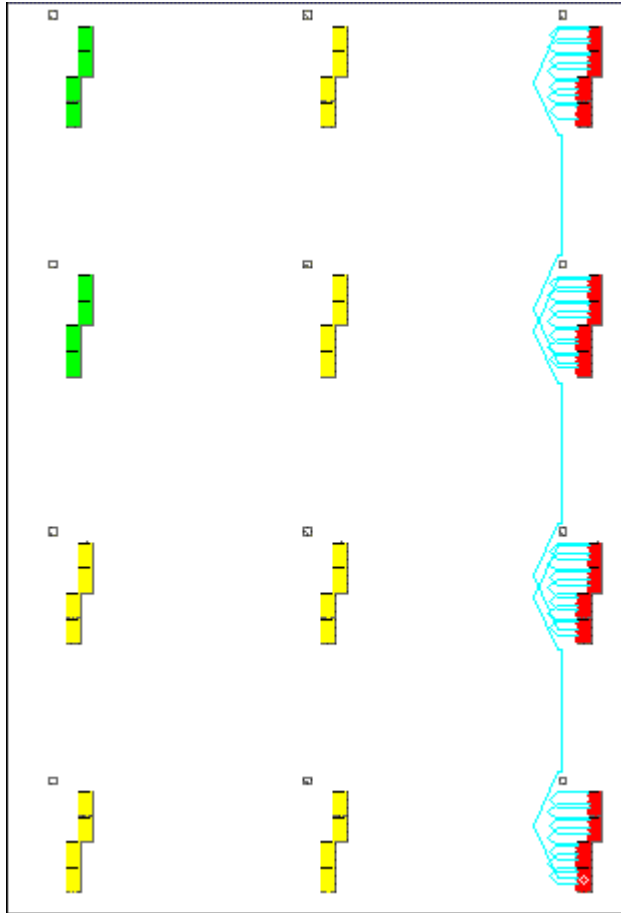


Figure 10: Correct Placement of `tap_dly` Circuits

6. Repeat steps 3, 4, and 5 using `cal_ctl` in the **Name Filter** window. If the `cal_ctl` circuit is properly constrained, the logic will be placed in the area near the tap delay circuit on the same side of the chip.
7. Find the global clock buffer (`BUFG`) driving the clock to the `MPMC_Clk0` port.
8. Go back to the List window, select **All Components** and sort the List window by Type. Find the `BUFGMUX` components in the Type column. Select the named `BUFG` that is driving the `MPMC_Clk0` port and verify it is located close to the tap delay circuit (on the same side of the chip).

MIG Spartan-3 PHY Template Router and DQ/DQS Data Capture Logic

The proper implementation of the DQ/DQS data capture logic requires specific pinout, timing, and placement constraints which include PIN, LUT, BEL, SLICE and MAXDELAY elements. This also includes the usage of template routes during Place and Route. The correct placement and routing of these components should be verified using FPGA Editor.

Refer to the device-specific *Memory Interface Solution User Guide*, under the “DDR2 Debug Guide” > “Debugging the Spartan-3 FPGA Design” > “Verify Placement and Routing.” The steps needed to check the placement and routing of the Spartan-3 MIG PHY are described in that section.

MIG Spartan-3 PHY MAXDELAY Timing Constraints

When running the place and route tools, Spartan-3 MPMC designs might generate timing errors on the maxdelay constraints in the MPMC UCF. If this occurs, check the `<EDK_project>/implementation/system.twr` file for the errors. If the worst case path is within the range of allowable delays mentioned in the comments of the MIG UCF, the constraint can be relaxed to allow timing to pass. MAXDELAY constraints should not be relaxed beyond the range of values described in the UCF comments. It might take several iterations of the tools to resolve the MAXDELAY timing constraints so the design meets timing. Alternatively, you can proceed with the design and allow for false timing errors in the MPMC Spartan-3 PHY logic.

MIG Spartan-3 PHY Debug Tips and Hints

For Spartan-3 MIG designs that do not work, the following debugging steps could help in the debug process:

1. Perform the placement and routing checks using FPGA Editor.
2. Check that the MicroBlaze processor can connect to XMD and that simple XMD reads and writes to LMB block RAM are working. This establishes that the basic processor subsystem is working.
3. Check the PAR report and ensure that all I/O signals are located.
4. If reads from memory space return the same data value across all memory locations, this is a symptom of a hang in the PHY. This could be caused by any of the following:
 - Incorrect connections on the DQS_DIV_I/DQS_DIV_O loopback trace
 - Problems with the DQS nets
 - Incorrect template router nets (see #1)
 - Problems with the generation or conversion of the MIG UCF
5. For data corruption errors or hangs, additional debug might be required by using the ChipScope™ debugging tool to probe the signals inside the Spartan-3 PHY block. Signals that can be checked are:
 - a. PHY read FIFO data out signals. (Two FIFOs per byte lane, one for posedge data and one for negedge data.) Monitor these signals to check the read data strobed in by the DQS signal.


```
Read FIFO Data Out = *mpmc_phy_if_0/data_path/data_read/fifo_0_data_out_r<*>
and
*mpmc_phy_if_0/data_path/data_read/fifo_1_data_out_r<*>
```
 - b. PHY read FIFO control signals. The signal `read_valid_data` is used to qualify read data being returned to the MPMC data path logic. The `wr_addr` and `rd_addr_out` signals are gray code counters that implement the FIFO Read and Write pointers driving a dual-port LUT-based RAM for each data bit. A different set of FIFO pointers is implemented on each byte lane of data for posedge and negedge data.


```
*mpmc_phy_if_0/data_path/data_read/read_valid_data
*mpmc_phy_if_0/data_path/data_read/fifo_0_wr_addr_out<*><*>
*mpmc_phy_if_0/data_path/data_read/fifo_1_wr_addr_out<*><*>
*mpmc_phy_if_0/data_path/data_read/fifo_0_rd_addr_out<*><*>
*mpmc_phy_if_0/data_path/data_read/fifo_1_rd_addr_out<*><*>
```
 - c. PHY calibration tap values. These calibration values determine what delay is being applied to the DQS signals to align the edges of the DQS strobe signal to the data.


```
*mpmc_phy_if_0/infrastructure/cal_top/cal_ctl/tapForDqs_rl<*>
```

Note: Regarding ChipScope tool usage: Attaching ChipScope probes onto signals that are used by the template router could disrupt critical timing/routing nets. The ChipScope analyzer probes should be attached only to signals operating in the MPMC_Clk0 and MPMC_Clk90 clock domain. The use of ChipScope on a Spartan-3 device could cause a conflict with the BSCAN element used for XMD access. This might require the use of XMD stub-based debug or might require that a test program be initialized into LMB block RAM to generate the memory transactions.

6. Isolate which byte lanes are causing hangs or data errors and investigate those byte lanes further in greater detail.
7. Implement the MPMC design using the Static PHY, get the static PHY to work, then compare results between static PHY and MIG PHY. For example, Write with one PHY and Read with the other PHY to help isolate the problem to Reads or Writes.
8. Run the standalone MIG hardware testbench design. This design consists of MIG PHY, controller, and hardware testbench that loops write/read data to memory. The MIG hardware testbench design includes preconfigured ChipScope probes and an error status LED output. If the standalone MIG testbench is not working, resolve it first. The standalone MIG testbench is a smaller and simpler design that might be easier to debug.
9. Verify that clock, control, data, power, and ground signals and board traces have the proper signal integrity and implementation on the board.

Note: If you are not familiar with creating hardware and software designs as outlined in these steps, or you are unfamiliar with the debug tool flows, practice building these designs using BSB and a supported Spartan-3 evaluation board such as the Spartan-3A Starter Kit or the Spartan-3A DSP 1800 Starter Kit.

Board Considerations

The following sections describe the board considerations for Xilinx or third-party boards.

- [Important Notes on MIG Board Compatibility](#)
- [Tips and Hints for Board Bring Up](#)

Important Notes on MIG Board Compatibility

Many existing evaluation boards were developed before the MIG tool was finalized, so it is often the case that Xilinx or third-party evaluation boards do not have exactly the same pinout that would be generated by supported MIG versions. However, these boards usually come with a predefined MPMC UCF file that is suitable for that board to function correctly.

Some Xilinx boards, including the Spartan-3E Starter Kit (XC3S500E), Spartan-3E 1600E MicroBlaze Development Kit, and the Spartan-3A/3AN Starter Kit boards, have a pinout that significantly deviates from normal MIG pinout assignment rules.

For these boards, a parameter to MPMC called C_SPECIAL_BOARD is used to modify the internal PHY logic to compensate for the memory pinout on these boards. A predefined MPMC UCF file is needed for these boards. Systems created using the BSB have the necessary C_SPECIAL_BOARD and UCF settings. Having more severe MIG pinout violations means the Xilinx Spartan-3E Starter Kit (XC3S500E) and Spartan-3E 1600 MicroBlaze Development Kit should not have their memory clocks run above 100 MHz. Other boards, including the Virtex-5 FXT FPGA ML507 Evaluation Platform, might also have a sub-optimal pinout that limits the maximum operating frequency of the memory interface.

Do not copy the pinout of evaluation boards that do not match a supported MIG-generated pinout. User boards must be designed exactly to the pinout provided by the prescribed version of MIG. Non-MIG pinouts might not be supported and might not be robust. User boards must also follow all layout recommendations specified in the *Memory Interface Solution User Guide*, including special trace delays for the DQS_DIV_0 to DQS_DIV_I loopback signal (Spartan-3 PHY). "[Reference Documents](#)," page 234 contains a link to this document.

It is highly recommended that if you are developing a new custom board, run the MIG design with hardware testbench logic or an MPMC test design through the full ISE tool flow to verify that proposed pinouts will implement properly through the ISE tools.

Tips and Hints for Board Bring Up

The following are tips and hints that can be useful during board bring up:

- During initial bring-up of MPMC on a new board, Xilinx recommends that you start with a single-port MPMC with PLB PIM. This design should be modeled off a simple BSB-based MicroBlaze processor design with caches disabled.
- During initial bring-up, start running the memory controller at the minimum clock speed that the memory device supports to establish as a working baseline. Then increase the memory clock speed up to the desired frequency.
- Use the MicroBlaze with a Single-Port MPMC design and connect with the XMD. Then perform simple reads and writes to establish whether basic memory transactions work.
- Incrementally add complexity to the design by building it up to be closer to your desired MPMC system configurations. For example, after getting the single-port design to work, enable MicroBlaze caches and connect the MicroBlaze IXCL/DXCL ports to a three Port XXP MPMC design (2 XCL + 1 PLB). Establish that memory transactions continue to work with caches off and try the test with caches on to test burst read transactions from memory.
- Run the MPMC extended memory test application located at
`<EDK_Directory>/sw/XilinxProcessorIPLib/drivers/mpmc_<latestversion>/examples/mpmc_mem_test_example.c`.
- Make use of the MPMC Debug register functionality described on "[MIG PHY Debug Register Summary](#)". These debug registers allow you to read or set the MIG PHY calibration settings manually via a processor accessible interface.
- Use default MPMC settings wherever possible. Customize or optimize the design parameters after you have a working baseline system.
- Check the PAR report to ensure all memory IOs are "LOCed". Ensure that map is run with the `-pr b` option to ensure IOB flip-flop packing.
- Try running a standalone MIG controller design. The MIG tool can produce an example standalone loopback design that can be useful for debugging physical level MIG PHY problems.
- Check that the maximum clock frequency limitations of the underlying MIG PHY are not exceeded. See "[MIG PHY Supported Fmax](#)" for more information.
- Do not use a clock frequency lower than the minimum operating frequency of the memory device. For example some DDR2 devices have a minimum clock frequency specification of 125 MHz.
- For Dual Rank or Dual DIMM designs, note the warnings that such designs are strongly discouraged. If a Dual Rank or Dual DIMM design is still used, try to establish a working baseline system accessing only one of the ranks of memory.

MIG Virtex-4 Design Considerations

For Virtex-4 systems using the MIG PHY, instantiation of IDELAY controllers (IDELAYCTRL) is required to ensure that the IDELAY elements in the MPMC physical interface behave properly.

The MPMC core parameter, `C_NUM_IDELAYCTRL`, determines the number of IDELAYCTRL elements to instantiate. By default, the MPMC instantiates one IDELAYCTRL without a location constraint (LOC), which causes the ISE implementation tools to replicate the IDELAYCTRL blocks across the entire FPGA.

For Virtex-5 and Virtex-6, the parameter, `C_IODELAY_GRP` identifies the `IDELAYCTRL` groupings for the MAP tool to correctly place these elements so the parameters `C_NUM_IDELAYCTRL` and `C_IDELAYCTRL_LOC` do not have to be set.

The `C_IODELAY_GRP` default value is sufficient in most cases, except when two IP blocks have I/O that share a common clock region and `IDELAYCTRL` element. In that case, use the solution described below.

For the Integrated MIG GUI flow, these parameters are passed into the MPMC design from the MIG GUI automatically, but can be set manually to override these automatic values. Refer to "[Multiple MPMC IDELAYCTRL IP Designs](#)" for an explanation of a special case when this mechanism alone will not work.

Single MPMC IDELAYCTRL Designs

For Virtex-5 designs and Virtex-4 designs with the MAP-timing option enabled, MAP will trim unnecessary `IDELAYCTRL`s. The default setting is sufficient for systems where there is one MPMC instance only, and no other IP in the system requires the use of `IDELAY` elements.

Multiple MPMC IDELAYCTRL IP Designs

For systems where there are multiple IP cores each using their own `IDELAYCTRL` element independently, such as two instances of MPMC or MPMC and PCI™ in the same system, special consideration must be given to the number of `IDELAYCTRL`s.

- Instantiate the correct number of `IDELAYCTRL` blocks for each IP as determined by the clock regions where the associated `IDELAY` elements are used. For these systems, it is necessary to set the correct value for `C_NUM_IDELAYCTRL`.
- Ensure the `IDELAYCTRL` element is associated with the correct clock region positions in the FPGA and is located using the `C_IDELAYCTRL_LOC` parameter.

For example, a design requiring two `IDELAYCTRL`s might have a core configuration of:

```
PARAMETER C_NUM_IDELAYCTRL = 2
PARAMETER C_IDELAYCTRL_LOC = IDELAYCTRL_X0Y4-IDELAYCTRL_X1Y3
```

Consult the ISE documentation for more information about `IDELAYCTRL`. The link to ISE documentation is available in "[Reference Documents](#)," page 234.

MPMC contains the following I/O signals (see [Table 5, page 19](#)) that can be used to chain the `IDELAY` elements between IP blocks:

- `MPMC_Idelayctrl_Rdy_I` is AND'd with internal `IDELAYCTRL` `RDY` signals inside MPMC and signifies that memory initialization can begin.
- `MPMC_Idelayctrl_Rdy_O` port signals that the internal `IDELAYCTRL` `RDY` signals and the `MPMC_Idelayctrl_Rdy_I` are all high.

This is useful in situations where two IP blocks have I/O that share a common clock region and `IDELAYCTRL` element.

You can connect the `MPMC_Idelayctrl_Rdy_O` to the `MPMC_Idelayctrl_Rdy_I` of downstream MPMC IP or other IP blocks. In this situation, explicitly set the `C_NUM_IDELAYCTRL` and `C_IDELAYCTRL_LOC` parameters and follow these instructions even if you are using the integrated MIG GUI flow. If these parameters are explicitly set, they will override the values passed in from the integrated MIG GUI.

The `MPMC_Idelayctrl_RDY_0` outputs of upstream IP blocks with `IDELAYCTRL` can be tied to the `MPMC_Idelayctrl_Rdy_I` input.

- Ensure that the MPMC_Idelayctrl_Rdy_I and MPMC_Idelayctrl_Rdy_O ports are not connected in a circular manner over one or more IP blocks.
- MPMC_Idelayctrl_Rdy_I and MPMC_Idelayctrl_Rdy_O can be left unconnected when not needed. The EDK XPS tool ties MPMC_Idelayctrl_Rdy_I to high automatically when it is unconnected.

Additional MIG Information

Answer Records, Application Notes, and the *Memory Interface Solution User Guide* provide important information about the Spartan-3, Virtex-4, Virtex-5, and Virtex-6 MIG PHY, the MIG UCF constraints, and board layout guidelines. These resources will help to debug and bring up MPMC designs using the MIG PHY:

- The Xilinx memory page contains the *Memory Interface Solution User Guide* and other relevant content.
- Answer Records contain useful design, debug, and implementation content.
- Application notes describe the operational theory and implementation of the underlying MIG PHYs.

The "[Reference Documents](#)," page 234 contains links to these resources.

Static PHY Interface

Static PHY contains the following topics:

- [Static PHY Features](#)
- [Static PHY Implementation](#)
- [Static PHY Implementation Considerations](#)
- [Static PHY Interface Register](#)
- [Example Static PHY Calibration Algorithm](#)

Static PHY Features

The Static PHY interface available in Spartan-3, Virtex-4, and Virtex-5 designs and MPMC is based on DCM phase adjustment. This PHY is used for SDRAM. For DDR/DDR2, it can also be used in cases when a MIG-based PHY is not available or cannot be used.

The MPMC Static PHY interface is an alternative to the Memory Interface Generator (MIG)-based PHY interface.

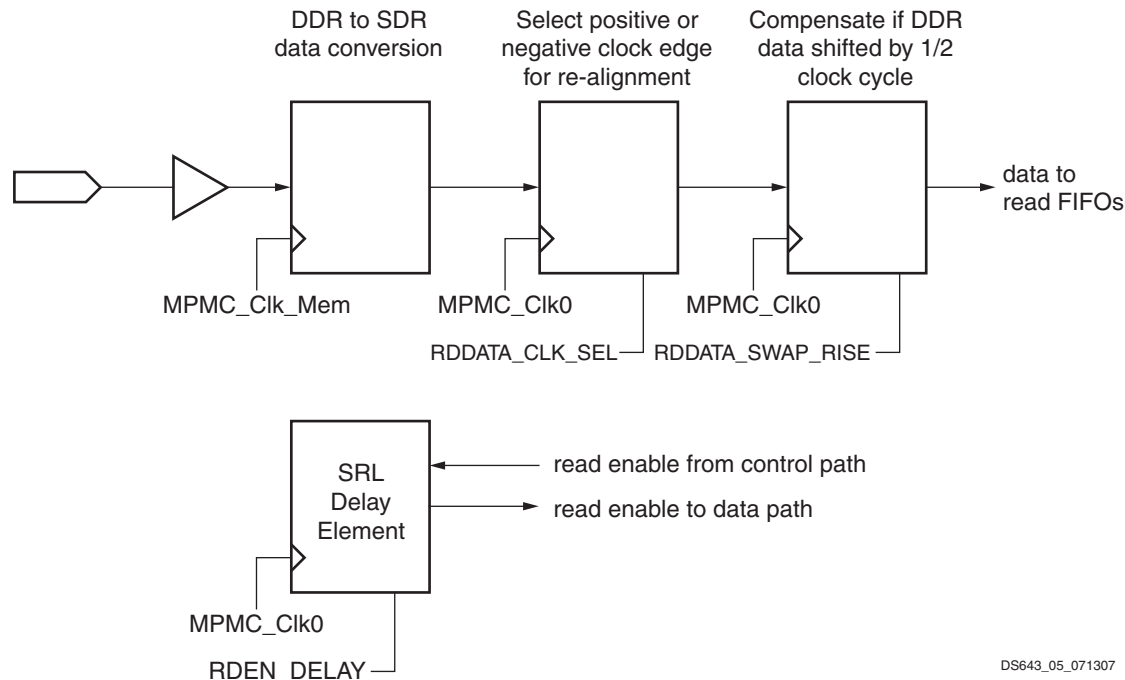
The Static PHY uses DCM-based fine phase adjustments to generate a read data capture clock instead of using IDELAYs or LUT-based delays to shift the input read data.

Note: Xilinx recommends that you design for, and use, a MIG-based PHY whenever possible for best results. MIG-based PHY interfaces offer greater timing margin, are more robust, and use fewer global clock buffer resources; the Static PHY is available when MIG-based PHY is not an option.

As an example, the Static PHY might be used when a legacy board that was designed for a different memory controller and does not use a MIG-compatible pinout. All new designs should target the use of the MIG-based PHY.

Static PHY Implementation

Figure 11 shows the Static PHY interface read logic. Notice that the `RDDATA_SWAP_RISE` stage is not present for SDRAM designs.



DS643_05_071307

Figure 11: Static PHY Interface Read Logic

The Static PHY processes the read data as follows:

1. First, the Static PHY registers the read data on a clock (`MPMC_Clk_Mem`), which is typically provided by an additional Digital Clock Manager (DCM). This clock is, typically, a phase-shifted version of `MPMC_Clk0`. The phase is set to maximize timing margin on the captured read data. The read data goes through input flip-flops and is converted to Single Data Rate (SDR) data that is aligned on the rising edge of `MPMC_Clk_Mem`.
2. The data is then re-registered into the main MPMC clock domain (`MPMC_Clk0`). Depending on the phase relationship between `MPMC_Clk_Mem` and `MPMC_Clk0`, you might need to first re-register the data on the negedge of `MPMC_Clk0` before being registered on the positive edge. The selection using positive or negative edges of `MPMC_Clk0` depends on the relative phase of `MPMC_Clk_Mem`:
 - If `MPMC_Clk_Mem` is 0 to +180 degrees ahead of `MPMC_Clk0`, register the data on the positive edge of `MPMC_Clk0`.
 - If `MPMC_Clk_Mem` is 0 to -180 degrees behind `MPMC_Clk0`, register the data on the negative edge of `MPMC_Clk0`.

The `C_STATIC_PHY_RDDATA_CLK_SEL` parameter sets the default value for this selection. You can change this value using the software interface at a later time, if necessary.

3. Next, data from the Static PHY passes through a selector to determine how the DDR data from memory is aligned with respect to positive and negative edges of `MPMC_Clk_Mem`.

Depending upon board layout and clock frequency, it is possible that the data that is registered on the posedge of `MPMC_Clk_Mem` should be registered on the negedge of `MPMC_Clk_Mem`.

This clock phase relationship makes the SDR data appear misaligned with respect to the pairs of DDR data from memory. In this case, half of the data appears on the first posedge of `MPMC_0_Clk0`, and half of the data appears on the second posedge of `MPMC_Clk0`. This stage is not present for SDRAM designs.

A multiplexer (MUX) lets you correct for the misalignment by selecting how the DDR data should be arranged into SDR data. The default value of the MUX is controlled by the `C_STATIC_PHY_RDDATA_SWAP_RISE` parameter. You can change this value using the software interface at a later time, if required.

4. The last part of the Static PHY consists of a shift register that can adjust the delay of the read enable signal to the data path (which causes read data to be pushed into the read FIFO).

Depending on the parameter settings, clock frequency, and board layout, the read data to the data path might appear on a different clock cycle relative to the read enable signal from the control path.

The control path sends a read enable to the PHY at the same time that it sends the read command to the PHY. The PHY then must delay this signal for a certain number of cycles to make the read FIFO push signal valid at the same time as the data coming out of the Static PHY.

The `C_STATIC_PHY_RDEN_DELAY` parameter sets the default value for this delay. You can change this value using the software interface at a later time, if required.

If this parameter is set incorrectly, and a read is performed, it is possible that the read data will be pushed into a different FIFO than where the data was intended. This typically will occur only if the read was not issued on port 0. If the data is pushed into the wrong FIFO, the result can be identified by a processor hang that can be recovered from by resetting the system only. The correct setting for this parameter depends on MPMC pipeline configurations, clock frequency, and board layout, but typically this parameter is set to 5, 6, or 7 for DDR and DDR2; and 4, 5, or 6 for SDRAM.

Additionally, if you are generating the `MPMC_Clk_Mem` with a DCM that is enabled to use variable phase shift, the Static PHY Control register interface provides an easy way to control the PSEN and PSINCDEC ports of the DCM.

MPMC provides a control port that can be connected to a DCM control port. This allows you to control the DCM phase adjust via the MPMC control registers. See the "[Static PHY Interface Register](#)," [page 120](#) for more details.

Static PHY Implementation Considerations

The important implementation considerations when using the Static PHY are:

- [Control Register Values](#)
- [Timing Constraints](#)
- [DCM Phase Adjust Port](#)
- [Matching Delay Traces](#)

The following subsections detail the implementation considerations.

Control Register Values

If you already know the control register values needed for the Static PHY to work with your board and this value is stable, you can choose to fix these values so that the PHY operates correctly upon power-on. You can do this by setting the DCM phase adjust and parameters values for `C_STATIC_PHY_RDDATA_CLK_SEL`, `C_STATIC_PHY_RDDATA_SWAP_RISE`, and `C_STATIC_PHY_RDEN_DELAY` as necessary.

Timing Constraints

When using the Static PHY, timing constraints are needed; you must set the UCF constraints to ensure that the maximum delay for data signals passing from `MPMC_Clk_Mem` to `MPMC_Clk0` clock domains is 1/2 the period of `MPMC_Clk0`. The following is an example of such a timing constraint where no dynamic DCM phase adjustment is used:

```
NET <MPMC_instance_name>/*rd_data_rise_in* MAXDELAY = <half_clock_period>; #DDR/DDR2
NET <MPMC_instance_name>/*rd_data_fall_in* MAXDELAY = <half_clock_period>; #DDR/DDR2
NET <MPMC_instance_name>/*rd_data_rise_rdc1k* MAXDELAY = <half_clock_period>; # SDRAM
```

If you plan to adjust the DCM phase settings dynamically to locate an optimal DCM clock phase shift, it is recommended to tighten the timing constraint so there is more margin to account for the potential `MPMC_Clk_Mem` phase shift range:

```
NET <MPMC_instance_name>/*rd_data_rise_in* MAXDELAY = 1000 ps; #DDR/DDR2
NET <MPMC_instance_name>/*rd_data_fall_in* MAXDELAY = 1000 ps; #DDR/DDR2
NET <MPMC_instance_name>/*rd_data_rise_rdc1k* MAXDELAY = 1000 ps; # SDRAM
```

Note: Ensure that the map is run with the option `-pr b` set to ensure that the tools pack internal flip-flops into the IOBs. You might also need to relax the maxdelay value from the examples above to meet timing depending on the speed of the FPGA.

DCM Phase Adjust Port

The MPMC DCM phase adjust control port lets you increment and decrement the phase adjustment value of the DCM. The phase adjustment that the MPMC performs is relative to the initial phase value set in the DCM. You must instantiate the DCM itself outside of the MPMC.

You must configure the DCM in the proper operating mode with the necessary parameters set for your system.

The MPMC provides the control signals to generate commands to change the phase of the DCM only. It does not check that the DCM is configured properly, and does not check if the DCM phase adjustment range is exceeded.

The following is an Microprocessor Hardware Specification (MHS) file example of how a DCM can be connected to MPMC to allow the MPMC Static PHY control registers to control DCM phase.

```

BEGIN mpmc
.
.
.
PORT MPMC_DCM_PSINCDEC = Static_Phy_DCM_PSINCDEC
PORT MPMC_DCM_PSEN = Static_Phy_DCM_PSEN
PORT MPMC_DCM_PSDONE = Static_Phy_DCM_PSDONE
END

BEGIN dcm_module
PARAMETER INSTANCE = dcm_2
PARAMETER HW_VER = 1.00.d
PARAMETER C_CLK0_BUF = TRUE
PARAMETER C_CLKIN_PERIOD = 10.000000
PARAMETER C_CLK_FEEDBACK = 1X
PARAMETER C_DLL_FREQUENCY_MODE = LOW
PARAMETER C_PHASE_SHIFT = 0
PARAMETER C_CLKOUT_PHASE_SHIFT = VARIABLE
PARAMETER C_EXT_RESET_HIGH = 0
PORT CLKIN = MPMC_Clk0
PORT CLK0 = MPMC_Clk_Mem
PORT CLKFB = MPMC_Clk_Mem
PORT RST = DCM_1_lock
PORT LOCKED = DCM_all_locked
PORT PSCLK = MPMC_Clk0
PORT PSINCDEC = Static_Phy_DCM_PSINCDEC
PORT PSEN = Static_Phy_DCM_PSEN
PORT PSDONE = Static_Phy_DCM_PSDONE
END

```

Matching Delay Traces

Because the Static PHY uses a DCM to capture the Read data, ensure that boards designed to use the Static PHY have matched delay traces across all data lanes. This reduces the skew across the data bits and improves timing margin. Place data pins in the same bank or in adjacent banks to further reduce skew across data bits (clock tree skew in the FPGA is smaller if pins are placed together).

Static PHY Interface Register

You can configure the Static PHY interface statically by using the following parameters to set the startup values for the signals that control the Static PHY:

- C_STATIC_PHY_RDDATA_CLK_SEL
- C_STATIC_PHY_RDDATA_SWAP_RISE
- C_STATIC_PHY_RDEN_DELAY

You can then change these values dynamically by using the PLB Control register. Additionally, you can change the phase delay of a DCM that generates MPMC_Clk_Mem using the PLB Control register.

Table 60 describes the Static PHY Interface register (SPI).

Table 60: Static PHY Interface Register (SPI)

Bit(s)	Name	Core Access	Reset Value	Description
0:3	RDEN_DELAY	R/W	C_STATIC_PHY_RDEN_DELAY	Sets the number of cycles to delay the read enable push) to the read FIFOs. See "Static PHY Implementation," page 117 for more information. This value is typically 5, 6, or 7 for DDR/DDR2 and 4, 5, or 6 for SDRAM.
4	RDDATA_CLK_SEL	R/W	C_STATIC_PHY_RDDATA_CLK_SEL	Sets the read data to be re-registered on the positive or negative edge of MPMC_Clk0: 1 = Positive Edge 0 = Negative Edge
5	RDDATA_SWAP_RISE	R/W	C_STATIC_PHY_RDDATA_SWAP_RISE	Sets the DDR read data to be shifted by 1/2 clock cycle relative to the SDR clock: 0 = no shift 1 = 1/2 clock cycle shift. This register is present for DDR/DDR2 designs only.
6	UNUSED		N/A	N/A
7	FIRST_RST_DONE	R	0	Set to 0 during first reset to static PHY; set to 1 afterwards. This prevents the control register from being reset to default values after initial reset.
8	DCM_PSEN	R/W	0	Set to 1 to perform one DCM phase shift increment or decrement. Self Clearing. Direction of phase shift is determined by DCM_PSINCDEC.
9	DCM_PSINCDEC	R/W	0	1 = perform DCM phase shift increments. 0 = perform DCM phase shift decrements. Only valid with DCM_PSEN
10	DCM_DONE	R/W	0	Set to 1 when DCM phase shift increment or decrement is complete. This bit must be cleared by MPMC. DCM_PSEN is not set to 1 again until DCM_DONE is set and cleared.
11	INIT_DONE	R	0	Set to 1 when initialization is complete; otherwise set to 0.
12:15	UNUSED	N/A	N/A	N/A
16:31	DCM TAP VALUE	R	0	A 10-bit number (sign-extended to form a 16-bit value) which represents the status of the software-derived DCM tap value. The tap value is relative to the initial phase tap value set in the DCM. The value of this register assumes that the DCM PHASE_SHIFT parameter was initially set to 0; otherwise it reports the relative phase offset only. This value can be incorrect if the DCM phase is shifted beyond the DCM allowable adjustment range.

Example Static PHY Calibration Algorithm

The following steps provide how to use the Static PHY Interface PLB control register to calibrate the PHY interface automatically. The software must be run before any other writes or reads are sent to MPMC. Additionally, the software instructions must be stored in block RAM until the MPMC memory is calibrated.

1. Wait for `INIT_DONE` bit to be set.
2. Ensure `DCM_TAP_VALUE` equals the initial DCM phase shift setting. If it is not equal, stop here, report error, and rebuild hardware with DCM phase shift set to 0.
3. Set `RDDATA_CLK_SEL` to 0.
4. Set `RDDATA_SWAP_RISE` to 0 (DDR and DDR2 only.)
5. Set `RDEN_DELAY` to the minimum value, typically 0. (This can cause a processor hang if you are not using port 0 for calibration reads. If this is the case, you might need to increment the minimum start value and maximum end value for this parameter. See "Static PHY Implementation," for more details.)
6. Set DCM phase shift to the minimum value using `DCM_PSEN`, `DCM_PSINCDEC`, and `DCM_DONE`.
7. Write and verify pattern in memory without data cache. If there is a mismatch, clear the valid count, and skip to step 11.

Note: Using a large pattern that introduces a large amount of data bus toggling might improve calibration results, but will also increase calibration time. The data written to memory for the calibration pattern should ensure a high amount of data bit toggling for the memory width being used. For example, writing `0x00000000` followed by `0xFFFFFFFF` successively toggles all bits for a 32-bit memory but does not cause as many data bit transitions on an 8- or 16-bit memory.

8. Enable the data cache.
9. Read the pattern back and verify. Flush and invalidate the data cache. If there is a mismatch, clear the valid count and back to step 8.
10. Increment the DCM phase shift, keeping track of how many patterns were read back correctly.
11. Repeat steps 8 through 10 until maximum phase shift value is reached. *Do not proceed beyond this step until a match is found.*
12. If the number of correctly read patterns in a row is greater than an acceptable threshold, set DCM phase to midpoint of largest found acceptable range.
13. Increment `RDEN_DELAY` by 1 and repeat steps 6 through 13 until maximum `RDEN_DELAY`.
14. Set `RDDATA_SWAP_RISE` to 1. Repeat steps 5 through 14 (DDR and DDR2 only.).
15. Set `RDDATA_CLK_SEL` to 1. Repeat steps 4 through 15.
16. If this step is reached, calibration was not possible. Stop and report error. Your settings are saved until you power down your board, even with an MPMC system reset. Ensure that a system reset will not force your DCM phase shift setting to revert back to the initial value. If this is the case, you need to modify your reset structure, rebuild your hardware, and re-run the calibration.

Note: You might want to build a simple single port MPMC system with a Static PHY, use a software program to characterize the ideal set of static PHY settings for that board, then initialize those settings into the design or reduce the search range of your calibration program.

SDRAM PHY Interface

The SDRAM PHY is the interface between the Single Data Rate Access Memory (SDRAM) and the MPMC control path, address path, and data path. The interface supports Virtex-4, Virtex-5 and Spartan-(3/3A/3E/3AN/3ADSP) platforms. The SDRAM PHY uses the DCM phase adjustment based read data capture scheme used for the Static PHY. Refer to the "Static PHY Interface," page 116 for required details of the SDRAM PHY, including timing constraints, board design, and software calibration considerations. Additional usage information and an example system is available from Xilinx Answer 38476 at: (<http://www.xilinx.com/support/answers/38476.htm>)

The following subsections describe the SDRAM PHY interface:

- [SDRAM PHY Features](#)
- [Low Frequency SDRAM Clock and DCM Phase Adjustment Limits](#)
- [Connecting Memory to the PHY Interface](#)
- [Connecting Memory to a DDR2 MPMC Design Example](#)

SDRAM PHY Features

The SDRAM PHY includes the following supported features:

- Column Access Strobe (CAS) latencies of 2, 2.5, and 3
- SDRAM data widths of 8, 16, 32, and 64
- DIMMs (both registered and unregistered)
- Multiple Memory Ranks
- ECC support

The PHY interface works from `MPMC_Clk0`, which issues the control, data, and address signals to memory. To clock SDRAM memory, the PHY uses an inverted version of `MPMC_Clk0`. This gives a 1/2 clock period setup and hold time for memory control and address signals.

To drive the data bus with valid Read data, the memory requirement is $CAS_LATENCY - 1 + T_{AC}$ time (Access Time) after registering the read command. Figure 12 illustrates the SDRAM Read data timing.

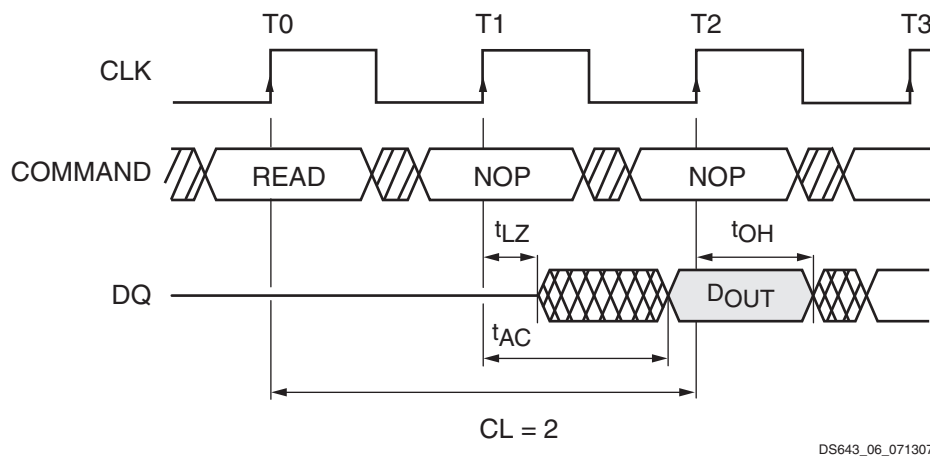


Figure 12: SDRAM Read Data Timing

In [Figure 12](#):

- The Tac is typically between 5 and 6ns.
- The data capturing logic works on the positive edge of `MPMC_Clk_Mem`, which can be phase-adjusted using the Static PHY interface or connected to a fixed clock source with the correct relative phase.
- This capture clock can be adjusted to maximize the size of the timing window for capturing data.
- The captured data is then re-synchronized to positive or negative edge of `MPMC_Clk0` (set by `C_STATIC_PHY_RDDATA_CLK_SEL`) before finally being pushed into the Read data path FIFOs on `MPMC_Clk0`.
- The data capture clock cycle latency relative to the control signals can be set using parameter `C_STATIC_PHY_RDEN_DELAY` and is affected by CAS latency, the use of registers on the board, and physical delays relative to the clock period.
- The SDRAM PHY performs the power up initialization sequence and configuration of SDRAM memory with user-specified values from the MHS file.
- When MPMC is configured for SDRAM, the Static PHY is instantiated automatically. It is not necessary to set `C_USE_STATIC_PHY = 1` also.

Low Frequency SDRAM Clock and DCM Phase Adjustment Limits

In lower frequency SDRAM designs, generally under 100 MHz, the fine phase adjustment range of the DCM might limit the available search range of the capture clock. This can limit the amount of margin in the Read data capture window depending upon board delays and part delays.

If the Read data capture window is too small because the DCM fine adjustment range is limited, consider using DCM outputs of `CLK90`, `CLK180`, or `CLK270` to best center the DCM phase search window around the Read data. This might require board delay or oscilloscope-based analysis.

For very low frequency SDRAM designs such as below 50 MHz, a fixed DCM output of `CLK0`, `CLK90`, `CLK180`, or `CLK270` usually can be connected directly to `MPMC_Clk_Mem` because this results in a sufficient Read data capture window. In this case you might need to use experimentation or oscilloscope-based analysis to find the best fixed clock phase (0, 90, 180, or 270). A modified static PHY calibration program or experimentation can then be used to find the optimal settings for `C_STATIC_PHY_RDDATA_CLK_SEL` and `C_STATIC_PHY_RDEN_DELAY` for the given `MPMC_Clk_Mem` clock. The `CLK90` setting is a recommended starting point for very low frequency designs.

Spartan-6 Hard Memory Controller Architecture

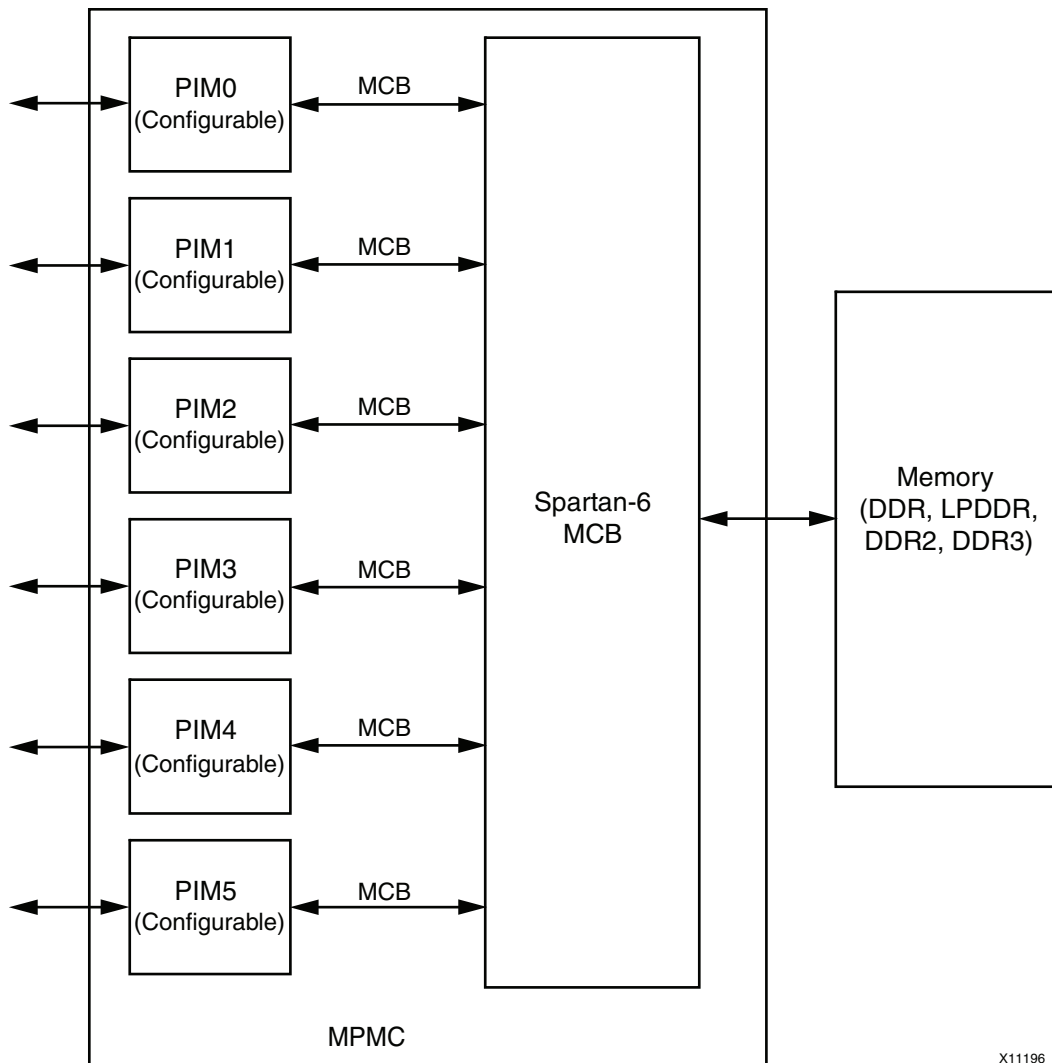
MPMC for Spartan-6 uses the hard Memory Controller Block (MCB) to implement core memory controller functionality. The MCB is a dedicated embedded block that implements a multi-port memory controller that greatly simplifies the task of interfacing Spartan-6 devices to the most popular memory standards. MPMC simplifies the task of connecting the MCB to a variety of different protocol standards using Personality Interface Modules (PIMs).

Descriptions of the PIMs, which are located in "[Personality Interface Modules](#)," [page 134](#), detail how the following PIMs allow MPMC to connect various interfaces to the MCB:

- [Xilinx CacheLink PIM](#)
- [Soft Direct Memory Access Controller PIM for LocalLink Interfaces](#)
- [Processor Local Bus Version 4.6 PIM](#)
- [PowerPC 440 Memory Controller PIM](#)
- [Video Frame Buffer Controller PIM](#)
- [Native Port Interface PIM](#)
- [MCB PIM](#) for direct connection to the MCB user interface with no protocol translation.

Before using MPMC, become familiar with the Spartan-6 Data Sheet and UG388, *Spartan-6 FPGA Memory Controller User Guide*. These documents describe the detailed capabilities of the device and explain the board design requirements. They can be found by following the links in "[Reference Documents](#)," [page 234](#).

Figure 13 is a block diagram of the MPMC architecture for Spartan-6.



X11196

Figure 13: Spartan-6 MPMC Architecture

The MPMC is built around the Spartan-6 MCB so that MPMC encapsulates the MCB, making it easier to incorporate into an EDK-based system and providing connectivity and protocol translation using the PIMs.

The MCB supports five basic port configurations that determine the maximum number of ports available, the width of each port, and if the port has Read-only, Write-only, or bidirectional data flow.

Table 61 describes the possible MCB port configuration and Table 62 describes what PIM types are available for a given port configuration.

Table 61: MCB Port Configuration Description

C_PORT_CONFIG parameter value (Mnemonic)	# of Ports	Port 0	Port 1	Port 2	Port 3	Port 4	Port 5
0 (B32 B32 U32 U32 U32)	6	32 bit bidirectional data, read and write	32 bit bidirectional data, read and write	32 bit unidirectional data, read-only or write-only	32 bit unidirectional data, read-only or write-only	32 bit unidirectional data, read-only or write-only	32 bit unidirectional data, read-only or write-only
1 (B32 B32 B32 B32)	4	32 bit bidirectional data, read and write	32 bit bidirectional data, read and write	32 bit bidirectional data, read and write	32 bit bidirectional data, read and write	N/A	N/A
2 (B64 B32 B32)	3	64 bit bidirectional data, read and write	32 bit bidirectional data, read and write	32 bit bidirectional data, read and write	N/A	N/A	N/A
3 (B64 B64)	2	64 bit bidirectional data, read and write	64 bit bidirectional data, read and write	N/A	N/A	N/A	N/A
4 (B128)1	1	128 bit bidirectional data, read and write	N/A	N/A	N/A	N/A	N/A

Table 62: PIM Types Per Port Configuration

C_PORT_CONFIG Value	Port 0	Port 1	Port 2	Port 3	Port 4	Port 5
0	XCL, PLB ⁽¹⁾ , SDMA, VFBC, NPI, MCB	XCL, PLB ⁽¹⁾ , SDMA, VFBC, NPI, MCB	MCB	MCB	MCB	MCB
1	XCL, PLB ⁽¹⁾ , SDMA, VFBC, NPI, MCB	XCL, PLB ⁽¹⁾ , SDMA, VFBC, NPI, MCB	XCL, PLB ⁽¹⁾ , SDMA, VFBC, NPI, MCB	XCL, PLB ⁽¹⁾ , SDMA, VFBC, NPI, MCB		
2	PLB, VFBC, NPI, MCB	XCL, PLB ⁽¹⁾ , SDMA, VFBC, NPI, MCB	XCL, PLB ⁽¹⁾ , SDMA, VFBC, NPI, MCB			
3	PLB, VFBC, NPI, MCB	PLB, VFBC, NPI, MCB				
4	MCB					

1. PLB PIMs associated with 32 bit MCB ports can only be used with 32 bit PLB systems. These PIMs cannot communicate to PLB systems with 64 or 128 bit masters present.

Arbitration Algorithms

The MCB inside MPMC can be programmed to support various arbitration algorithms. See the "[Multi-Port Arbitration Algorithms](#)," page 64 for more information.

Data Path and Physical Memory Interface

The MCB implements control path FIFOs, read data FIFOs, and write data FIFOs to buffer transactions at the ports while the memory controller core arbitrates transactions and executes them over fast paths to memory.

The MCB supports DDR, LPDDR, DDR2, and DDR3 physical memories of 4, 8, or 16 bits. These memories are generally limited to a single component and a fixed set of support memory device manufacturers and parts.

Consult the *Spartan-6 FPGA Packaging and Pinout Specification* and the *Spartan-6 Memory Controller User Guide* for important information about the supported memory devices, board design, limitations, operating ranges, and other design considerations. Those documents might list additional limitations not described here.

Memory Interface Generator (MIG)

For designs with custom or standalone use of the MCB, Xilinx provides a Memory Interface Generator (MIG) tool, available in the CORE Generator tool that helps a user to configure the MCB and use it in a custom design.

When using MPMC with a Spartan-6 FPGA device, it is not necessary to use the MIG tool separately to configure the MCB. The configuration of the MCB is handled completely within the XPS tool framework and the MPMC core. Using MPMC parameters and the MPMC IP Configuration GUI, the necessary information for configuring the MCB is generated. See "[MCB PIM](#)," page 203 for more information.

However, it can be useful to become familiar with the MIG tool as a guide for exploring the features, board design considerations, and capabilities of the MCB. It is not necessary to set the `IOSTANDARD` or `pin LOC` constraints in the system UCF for the FPGA pins connected to the memory device. This information is obtained automatically from the value of `C_MCB_LOC` and the underlying MIG tool when Platgen is run to set the values in a core level UCF file located at: `<EDK Project Directory>/implementation/<core_instance_name>_wrapper.ncf`.

Any of these core level constraints can be overridden by the system level `system.ucf` file, but this is *Not* recommended. When `RZQ` and `ZIO` pins are used (`C_MEM_CALIBRATION_SOFT_IP = TRUE`), the selected pinout for the `RZQ` and `ZIO` pins must be specified with the `C_MCB_RZQ_LOC` and the `C_MCB_ZIO_LOC` parameters, respectively. There are more than one usable I/O location for the `RZQ` and `ZIO` pins. The list of available pins can be selected in the MPMC IP Configurator and vary based on the chosen bank for the memory controller. Choose the pin that matches the board layout of the FPGA. If a pin layout has not yet been chosen, the recommended value is identified in the GUI. Verify all MCB pinouts with the *Spartan-6 FPGA Packaging and Pinout Specification* and the *Spartan-6 Memory Controller User Guide* before beginning a board design. A link to these documents is provided in "[Reference Documents](#)," page 234.

Spartan-6 Clock Logic

MCB Memory Clocking

The MCB require some special clock circuits to properly drive the memory clock. The main clocks used by the MCB arrive on the MPMC_Clk_Mem_2x and MPMC_Clk_Mem_2x_180 (180 degrees phased shifted clock) ports. Normally, these clocks must be driven from the same PLL block at a frequency that is 2 times the memory clock; for example, MPMC_Clk_Mem_2x running at 800 MHz for a 400 MHz memory clock.

Note: The MPMC_Clk_Mem_2x and MPMC_Clk_Mem_2x_180 signals must be driven from the PLL primitives using the CLKOUT0 and CLKOUT1 ports of the PLL as described in UG388, *Spartan-6 FPGA Memory Controller User Guide*.

Also, the MPMC_MCB_DRP_Clk clock input is required. The MPMC_MCB_DRP_Clk must be driven from the same PLL block as the MPMC_Clk_Mem_2x to ensure it is phase-aligned with MPMC_Clk_Mem_2x. The MPMC_MCB_DRP_Clk must be between 50 and 100 MHz and be an integer-divided frequency of MPMC_Clk_Mem_2x.

Note: If the port MPMC_MCB_DRP_Clk is not connected in the MHS file, the clock is taken from MPMC_Clk0, in which case MPMC_Clk0 must follow the same requirements of MPMC_MCB_DRP_Clk as described above.

The following is an Microprocessor Hardware Specification (MHS) file example of how a PLL can be connected to MPMC.

```
BEGIN mpmc
.
.
.
# Connect only to PLL's LOCKED output with no intermediate logic
# except when C_MCB_USE_EXTERNAL_BUFPLL = 1
PORT MPMC_PLL_Lock = pll_module_0_LOCKED
PORT MPMC_Clk_Mem_2x = pll_module_0_CLKOUT0
PORT MPMC_Clk_Mem_2x_180 = pll_module_0_CLKOUT1
PORT MPMC_MCB_DRP_Clk = pll_module_0_CLKOUT2
END

BEGIN pll_module
PARAMETER INSTANCE = pll_module_0
PARAMETER HW_VER = 2.00.a
PARAMETER C_CLKOUT0_DIVIDE = 1
PARAMETER C_CLKOUT1_DIVIDE = 1
PARAMETER C_CLKOUT2_DIVIDE = 8
PARAMETER C_CLKOUT1_PHASE = 180.000000
PARAMETER C_CLKFBOUT_MULT = 8
PARAMETER C_CLKFBOUT_BUF = true
PARAMETER C_CLKOUT0_BUF = false
PARAMETER C_CLKOUT1_BUF = false
PARAMETER C_CLKOUT2_BUF = true
PARAMETER C_COMPENSATION = INTERNAL
PORT CLKOUT0 = pll_module_0_CLKOUT0
PORT CLKOUT1 = pll_module_0_CLKOUT1
PORT CLKOUT2 = pll_module_0_CLKOUT2
PORT LOCKED = pll_module_0_LOCKED
PORT CLKIN1 = dcm_clk_s
PORT RST = sys_rst
PORT CLKFBOUT = pll_module_0_CLKFBOUT
PORT CLKFBIN = pll_module_0_CLKFBOUT
END
```

Alternatively, a Clock Generator IP core can be used to drive the MCB clocks. Instead of using `pll_module`, it can be replaced by the `clock_generator` core as shown in the following code example:

```
BEGIN clock_generator
  PARAMETER INSTANCE = clock_generator_0
  PARAMETER HW_VER = 4.00.a
  PARAMETER C_CLKIN_FREQ = 200000000
  PARAMETER C_CLKOUT0_FREQ = 800000000
  PARAMETER C_CLKOUT0_PHASE = 180
  PARAMETER C_CLKOUT0_GROUP = PLL0
  PARAMETER C_CLKOUT0_BUF = FALSE
  PARAMETER C_CLKOUT1_FREQ = 800000000
  PARAMETER C_CLKOUT1_PHASE = 0
  PARAMETER C_CLKOUT1_GROUP = PLL0
  PARAMETER C_CLKOUT1_BUF = FALSE
  PARAMETER C_CLKOUT2_FREQ = 100000000
  PARAMETER C_CLKOUT2_PHASE = 0
  PARAMETER C_CLKOUT2_GROUP = PLL0
  PARAMETER C_CLKOUT2_BUF = TRUE
  PORT CLKIN = dcm_clk_s
  PORT CLKOUT0 = pll_module_0_CLKOUT0
  PORT CLKOUT1 = pll_module_0_CLKOUT1
  PORT CLKOUT2 = pll_module_0_CLKOUT2
  PORT RST = sys_rst
  PORT LOCKED = pll_module_0_LOCKED
END
```

PIM Clocking

All PIM types except the MCB PIM type have a base clock that is taken from the port `MPMC_Clk0`. `MPMC_Clk0` must be shared across all PIMs except MCB PIMs. MCB PIMs are the only PIMs that can be asynchronously clocked from other PIMs.

The `MPMC_Clk0` clock that the PIMs run on can be separate and asynchronous from the `MPMC_Clk_Mem_2x` memory clock. Additionally, some PIM types support an optional 1:1 or 1:2 clock ratio from their base PIM clock. It is recommended that `MPMC_Clk0` is generated so the PIMs run at a 1:1 clock ratio.

For example, it is possible to have an MPMC clocked as follows:

- `MPMC_Clk_Mem_2x` = 800 MHz
- `MPMC_MCB_DRP_Clk` = 100 MHz
- `MPMC_Clk0` = 90 MHz (asynchronous to `MPMC_Clk_Mem_2x`)
- Port 0 PLB PIM can connect to a PLB bus that must be 45 or 90 MHz (synchronous to `MPMC_Clk0`)
- Port 1 XCL PIM can connect to an XCL interface that must be 45 or 90 MHz (synchronous to `MPMC_Clk0`)
- Port 2 MCB PIM can run at 87 MHz (asynchronous to all other clocks)
- Port 3 NPI PIM must run at 90 MHz using the same clock as `MPMC_Clk0`

Special Clocking Requirements: When 2 MCBs Are On The Same Side of The Device

In a system where two instances of MPMC are on the same side of the device (both on the left or both on the right), it is necessary for both of them to share a single `BUFPLL_MCB` instance instead of one for each MPMC instance. This situation is only possible on devices with four MCB sites.

When two instances of MPMC are on the same side of the device, the second MPMC must be set with parameter `C_MCB_USE_EXTERNAL_BUFPLL == 1`. In this case, the first MPMC will instantiate the `BUFPLL_MCB`.

These signals would then be connected to the second MPMC in the MHS file and the outputs of the internal BUFPLL_MCB in the first MPMC drive the MPMC_Clk_Mem_2x_bufpll_o, MPMC_Clk_Mem_2x_180_bufpll_o, MPMC_Clk_Mem_2x_CE0_bufpll_o, MPMC_Clk_Mem_2x_CE90_bufpll_o, and MPMC_PLL_Lock_bufpll_o ports and would then drive the MPMC_Clk_Mem_2x, MPMC_Clk_Mem_2x_180, MPMC_Clk_Mem_2x_CE0, MPMC_Clk_Mem_2x_CE90 and MPMC_PLL_Lock ports of the second MPMC.

When two MPMCs are located on the same side of the device, they must both operate on the same memory clock.

The following is an Microprocessor Hardware Specification (MHS) file example of how the two MPMCs use cascaded clock connections when they are both located on the same side of the device:

```
BEGIN mpmc
  PARAMETER INSTANCE = MPMC_0
  ...
  PORT MPMC_Clk_Mem_2x_bufpll_o = MPMC_Clk_Mem_2x_bufpll_o
  PORT MPMC_Clk_Mem_2x_180_bufpll_o = MPMC_Clk_Mem_2x_180_bufpll_o
  PORT MPMC_Clk_Mem_2x_CE0_bufpll_o = MPMC_Clk_Mem_2x_CE0_bufpll_o
  PORT MPMC_Clk_Mem_2x_CE90_bufpll_o = MPMC_Clk_Mem_2x_CE90_bufpll_o
  PORT MPMC_PLL_Lock_bufpll_o = MPMC_PLL_Lock_bufpll_o

END

BEGIN mpmc
  PARAMETER INSTANCE = MPMC_1
  PARAMETER C_MCB_USE_EXTERNAL_BUFPLL = 1
  ...
  PORT MPMC_Clk_Mem_2x = MPMC_Clk_Mem_2x_bufpll_o
  PORT MPMC_Clk_Mem_2x_180 = MPMC_Clk_Mem_2x_180_bufpll_o
  PORT MPMC_Clk_Mem_2x_CE0 = MPMC_Clk_Mem_2x_CE0_bufpll_o
  PORT MPMC_Clk_Mem_2x_CE90 = MPMC_Clk_Mem_2x_CE90_bufpll_o
  PORT MPMC_PLL_Lock = MPMC_PLL_Lock_bufpll_o

END
```

Special Restrictions on Connection/Routing of MPMC_PLL_Lock Input

The MPMC_PLL_Lock input of MPMC must be connected directly to the LOCKED output signal of the PLL driving the MPMC_Clk_Mem_2x and MPMC_Clk_Mem_2x inputs (except for the second cascaded MPMC on the same side of the device). There can be no logic between the LOCKED output of the PLL and the primary MPMC_PLL_Lock input of the MPMC, otherwise the Place and Route tool (PAR) issues an error about an unroutable signal into the BUFPLL_MCB element inside MPMC.

If logic needs to be generated from the attached LOCKED output of the PLL, the MPMC_PLL_Lock_bufpll_o output of MPMC should be used because it reflects the state of the PLL lock including the BUFPLL_MCB element driving the memory clock. The BUFPLL_MCB element requires a special direct connection route to the LOCKED output of the PLL for it to function properly in driving the memory clock to the MCB.

In some cases when multiple PLLs are needed in a system, you may need to instantiate separate instances of clock_generator to ensure that its LOCKED output signal is driven from only a single PLL output to MPMC.

MCB Performance Mode

For DDR2 memory, depending on the voltage regulation on the board, the MCB operates in one of two performance modes.

- By default, the MCB operates in DDR2 memory STANDARD performance mode which limits the maximum frequency of MPMC_Clk_Mem_2x (these limits are specified in the Spartan-6 data sheet). The setting is inferred by the ISE tools to be `CONFIG MCB_PERFORMANCE = STANDARD`.
- Alternatively, with better voltage regulation on the board, the MCB DDR2 interface can be operated in EXTENDED performance mode which supports higher maximum frequencies for MPMC_Clk_Mem_2x. When using EXTENDED mode, you must manually set “`CONFIG MCB_PERFORMANCE = EXTENDED`” in the `system.ucf` file as described in UG416, *Spartan-6 FPGA Memory Interface Solution User Guide*.

Note: For DDR3 memory, add `CONFIG MCB_PERFORMANCE = EXTENDED` to the UCF because the `CONFIG MCB_PERFORMANCE = STANDARD` setting for DDR3 is generally used for "ES" grade silicon.

Note: MPMC does not implement a DRC to check the frequency of MPMC_Clk_Mem_2x against the `CONFIG MCB_PERFORMANCE` setting in the `system.ucf` file.

Spartan-6 C_MCB_LOC Parameter

The `C_MCB_LOC` parameter has the possible value of `MEMC1`, `MEMC2`, `MEMC3`, and `MEMC4` and is used to specify which MCB bank to which to locate the MPMC. Table 63 and Table 64, page 132 list the mapping from FPGA bank number to `C_MCB_LOC` parameter value for two MCB devices and four MCB devices

Table 63: Two MCB Devices

FPGA Bank Number where MCB is located	C_MCB_LOC Parameter Value
Bank 1	MEMC1
Bank 3	MEMC3

Table 64: Four MCB Devices

FPGA Bank Number where MCB is located	C_MCB_LOC Parameter Value
Bank 1	MEMC2
Bank 3	MEMC3
Bank 4	MEMC4
Bank 5	MEMC1

Spartan-6 Reset Logic

The basic MPMC core and each of the MPMC PIMs have a reset input. Internally these resets are OR'ed together to create the master reset for the entire MPMC (including PIMs).

Note: It is not possible to reset an individual PIM or PORT of the MPMC without resetting everything.

The master reset, `MPMC_Rst`, is internally registered and synchronized before being distributed throughout MPMC; therefore, the MPMC reset is a fully synchronous reset. Reset should be held for a minimum of eight cycles of the slowest PIM clock. After reset, there should not be access to any of the ports or control interfaces for 20 cycles of the `MPMC_Clk0`.

Soft Calibration Module

The MPMC code contains the same Soft Calibration Module functionality described in the *Spartan-6 Memory Controller User Guide* (a link to this document is available in "Reference Documents," page 234). The soft calibration module is used to tune internal termination resistors and to continuously tune the DQS tap delays to align the DQS and DQ signals together. Both of these functions can be enabled or disabled using parameter settings.

It is generally required that DQS tuning be enabled. For input termination, there are three options: external discrete termination resistors, internal tuned/calibration termination (not supported by LPDDR), and internal untuned termination. When the Soft Calibration Module is enabled, the RZQ and/or ZIO I/O pins become active.

To enable DQS tuning, which is generally required for production silicon designs, the following MPMC parameters must be set in the MHS file:

```
PARAMETER C_MEM_CALIBRATION_SOFT_IP = TRUE
PARAMETER C_MEM_SKIP_DYNAMIC_CAL = 0
```

Enabling DQS tuning makes the RZQ pin active and it must be properly connected on the board. When the internal tuned input termination feature (also known as calibrated termination) is used, the following MPMC parameters must be set in the MHS file:

```
PARAMETER C_MEM_CALIBRATION_SOFT_IP = TRUE
PARAMETER C_MEM_SKIP_IN_TERM_CAL = 0
```

Enabling tuned input termination makes the ZIO pin active and it must be properly used on the board. If the ZIO pin is not used, do not connect it to the top-level port of the XPS design so that an unnecessary ZIO I/O pin location constraint is not applied.

Note: Tuned input termination should not be used with LPDDR; therefore, LPDDR designs should not have ZIO connected to the top level ports of the XPS design.

The use of internal untuned termination can be accomplished by setting `IN_TERM=UNTUNED_SPLIT_<impedance>` in the system-level `system.ucf` for the DQ and DQS pins. For example:

```
NET MPMC_0_mcbx_dram_dq[*]IN_TERM=UNTUNED_SPLIT_50;
NET MPMC_0_mcbx_dram_dqsIN_TERM=UNTUNED_SPLIT_50;
NET MPMC_0_mcbx_dram_dqs_nIN_TERM=UNTUNED_SPLIT_50;
NET MPMC_0_mcbx_dram_udqsIN_TERM=UNTUNED_SPLIT_50;
NET MPMC_0_mcbx_dram_udqs_nIN_TERM=UNTUNED_SPLIT_50;
```

Consult the *Spartan-6 Memory Controller User Guide* for more information about input termination on the MCB pins (a link to this document is available in "[Reference Documents](#)," page 234.)

MCB Bring-Up

For initial MCB bring-up on a new board, it is recommended to use the MIG tool initially to generate a standalone synthesizable testbench for the MCB. The standalone MIG generated designs contains a traffic generator to send transactions to the MCB as well as providing some facilities for debugging the physical interface. The standalone MIG design can be used to validate the physical memory interface before using MPMC. Refer to UG388, *Spartan-6 FPGA Memory Interface Solutions User Guide* for additional information. "[Reference Documents](#)," page 234 contains a link to the document.

Unsupported MCB Features

MPMC does not support the Self Refresh or Suspend modes of the MCB.

Personality Interface Modules

The Personality Interface Module (PIM) architecture comprises the following interfaces:

- [Xilinx CacheLink PIM](#)
- [Soft Direct Memory Access Controller PIM for LocalLink Interfaces](#)
- [Processor Local Bus Version 4.6 PIM](#)
- [PowerPC 440 Memory Controller PIM](#)
- [Video Frame Buffer Controller PIM](#)
- [Native Port Interface PIM](#)
- [MCB PIM](#)

PIM Base/High/Offset Parameters

Each PIM supports PIM-specific Base/High/Offset address parameters. The Base/High/Offset parameters are defined as a 32-bit value of `C_<PIM_Type>_[BASEADDR|HIGHADDR|OFFSET]`. The value set in the `C_ALL_PIMS_SHARE_ADDRESSES` parameter determines if all ports have a common base and high address or if each port has independently-configured memory address ranges. If you want to implement a shadow or aliased memory you need to double the amount of addressable memory. This can be done by increasing the `C_<PIM_Type>_HIGHADDR` by an amount that doubles the address range. MPMC supports a maximum of 2 gigabytes total memory.

The following subsections describe the PIMs. The PIM design parameters, I/O signals, and control and status register summaries are in "[Design Parameters](#)," [page 3](#), "[I/O Signals](#)," [page 25](#), and "[Control and Status Registers](#)," [page 43](#), respectively.

Note: Throughout the document, the size of a word is 32-bits.

Xilinx CacheLink PIM

The Xilinx CacheLink (XCL) PIM allows connection from an XCL bus interface to MPMC. The XCL PIM is described in the following subsections:

- [XCL Features](#)
- [XCL Overview](#)
- [Connecting XCL to a MicroBlaze Soft Processor](#)
- [XCL Configuration Options](#)
- [XCL Line Size and Write Transfers](#)
- [XCL Pipeline Stages](#)
- [XCL Clock Requirements](#)
- [XCL Additional Information](#)

XCL Features

The XCL PIM supports the following features:

- 1-, 4-, 8- and 16-word reads and writes.
- Auto-detection (at reset) for clock ratios of 2:1 and 1:1 of NPI (the MPMC Memory Clock) to XCL.
- Read-only optimizations.
- 32-bit XCL data width and 32-bit NPI data width.
- 32-bit address offset (the optional address offset is added to the XCL transaction address to compute the physical memory address to be accessed.)
- Auto-detection of MicroBlaze parameters.
- Optimized state machine and data paths when connected to MicroBlaze processor.
- Configurable pipeline stages for latency vs. frequency optimizations.
- Support for two XCL buses connected to one NPI port. The design allows for connecting MicroBlaze processor D-side and I-side XCL to a single NPI port for reduced resources with minimal performance hit.
- Target word first reads (except in the case of the `DXCL2` and `IXCL2` SUBTYPES.)

XCL Overview

The Xilinx CacheLink (XCL) PIM is highly optimized and configurable that allows you to connect a MicroBlaze soft processor XCL bus interface to SDRAM, DDR, and DDR2 memories with MPMC.

The XCL PIM translates XCL commands to NPI transactions to perform reads and writes to memory. Each XCL PIM instantiation connects to MPMC NPI using a 32-bit data path. The XCL bus interface supports fixed burst size reads and either fixed burst writes, or word, half-word, byte transaction sizes. The XCL signaling is a simple FIFO-style interface based on the FSL bus interface protocol.

Transactions are initiated by the master by pushing commands into the XCL PIM. If the operation is a write, then the master also pushes the correct number of data beats into the FIFO immediately following the write command. If the operation is a read, then the data will be returned by another FSL channel where the data is popped out of the FIFO-style interface.

Figure 14 is a block diagram of the NPI to XCL translation using a MicroBlaze processor.

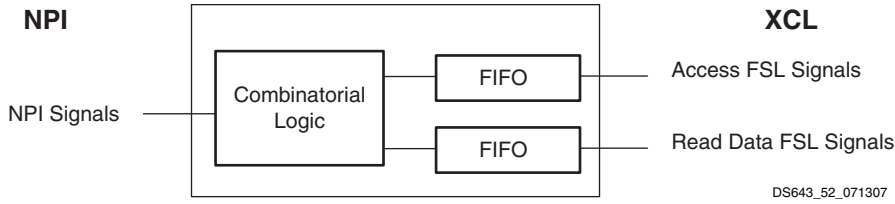


Figure 14: MicroBlaze Processor XCL Block Diagram

Connecting XCL to a MicroBlaze Soft Processor

When connecting the MicroBlaze IXCL and DXCL buses to the MPMC XCL PIM, the tools automatically optimize the configuration and set many of the parameters. Table 65 lists the automatically configured parameters and their values when connected to a MicroBlaze.

Table 65: Auto-Computed Parameter Values Inherited from MicroBlaze Bus Connections

MPMC Parameter Name	Auto-computed MPMC Parameter Value	MicroBlaze Bus Interface Name	MicroBlaze Parameter Settings
C_PIM<Port_Num>_SUBTYPE	IXCL	IXCL	C_ICACHE_INTERFACE = 0
	IXCL2	IXCL	C_ICACHE_INTERFACE = 1 ⁽¹⁾
	DXCL	DXCL	C_DCACHE_INTERFACE = 0
	DXCL2	DXCL	C_DCACHE_INTERFACE = 1 ⁽¹⁾
C_XCL<Port_Num>_LINESIZE	4	IXCL	C_ICACHE_LINESIZE = 4
	8	IXCL	C_ICACHE_LINESIZE = 8
	4	DXCL	C_DCACHE_LINESIZE = 4
	8	DXCL	C_DCACHE_LINESIZE = 8
C_XCL<Port_Num>_WRITEXFER	0	IXCL	None
	1	DXCL	None

1. Not available in MicroBlaze versions earlier than v7.20a

Typical MicroBlaze transfers over the XCL PIM consists 4- or 8-word reads (determined at synthesis) and single word, half-word, or byte writes (if using a data-side channel.) When connected to a MicroBlaze version 7.20.a or greater and the MicroBlaze parameter C_DCACHE_INTERFACE = 1, the XCL PIM also supports cache-line writes of either 4- or 8-word. The memory to XCL and by extension MicroBlaze clock frequency can either be 1:1 or 2:1 and is auto-detecting. The XCL PIM contains minimal buffering and pipeline stages that can be configured for low resource utilization, and provides support for high frequencies. The XCL PIM with the addition of the B port (see "Dual XCL Buses on One XCL PIM") supports connecting two XCL buses to one MPMC Port. This provides lower utilization of resources with minimal impact on performance when connecting instruction-side XCL and data-side XCL MicroBlaze buses to MPMC.

XCL Configuration Options

Dual XCL Buses on One XCL PIM

For resource optimization when connecting two XCL buses to MPMC it is recommended that the MPMC parameter, `C_XCL<Port_Num>_B_IN_USE`, is set to 1. This enables a second XCL bus to connect to MPMC by the bus that is designated as `XCL<Port_Num>_B`, while only consuming one of the available ports on MPMC. For example, if Port 0 of MPMC is configured as XCL and

`C_XCL0_B_IN_USE = 1`, then connect the MicroBlaze IXCL bus to MPMC `XCL0` bus. Similarly, connect the MicroBlaze DXCL bus to the MPMC `XCL0_B` bus. The XCL PIM will internally arbitrate between the two buses with

priority given to the `XCL0_B` bus if they are both idle and receive XCL requests at the same time. If both ports are requesting continuously, round-robin arbitration goes between the two ports to avoid starvation, which allows you to connect up to 16 XCL buses to MPMC. The relationship between the IXCL and DXCL transactions on MicroBlaze results in a minimal performance impact. If you are using custom XCL masters that have high bandwidth requirements, it might be more suitable to use two separate XCL PIMs.

When `C_XCL<Port_Num>_B_IN_USE` is set to 1, three additional parameters are available to be set:

- `C_PIM<Port_Num>_B_SUBTYPE`
- `C_XCL<Port_Num>_B_LINESIZE`
- `C_XCL<Port_Num>_B_WRITEXFER`

These parameters function identically to the parameters of the same name with a suffix of `_B`, consequently they are not explicitly discussed. The bus interface `XCL<Port_Num>_B` becomes visible as a valid XCL bus interface target when dual XCL mode is enabled.

XCL PIM Subtypes

The `C_PIM<Port_Num>_SUBTYPE` parameter is automatically detected when connected to a MicroBlaze processor. The subtype settings of IXCL, IXCL2, DXCL, and DXCL2 change the operation of XCL slightly to improve maximum frequency and reduce latency when connected to MicroBlaze.

Table 66 provides a summary of the differences between the subtypes:

Table 66: XCL Supported Features by Subtype

XCL SUBTYPE	Supports Target Word First Read Transactions	Supports Word Write Operations	Supports Cacheline Write Operations	Supports Linesize 1 & 16	Supports Linesize 4 & 8	Supports Standard FSL Handshaking
XCL	Yes	Yes ⁽¹⁾	Yes ⁽²⁾	Yes	Yes	Yes
IXCL	Yes	No	No	No	Yes	Yes
DXCL	Yes	Yes	No	No	Yes	Yes
IXCL2	No	No	No	No	Yes	No
DXCL2	No	Yes	Yes	No	Yes	No

1. Valid if `C_XCL<Port_Num>WRITEXFER = 1`

2. Valid if `C_XCL<Port_Num>_WRITEXFER = 2`

XCL Line Size and Write Transfers

The `C_XCL<Port_Num>_LINESIZE` parameter specifies whether the XCL line size is 1-, 4-, 8-, or 16-words. This line size is set for all XCL reads. The 4-, 8-, or 16-word transfers are target word first cacheline transfers. For Writes, the `C_XCL<Port_Num>_WRITEXFER` parameter specifies whether XCL Write transactions are:

- 0 - Disabled
- 1 - One word only
- 2 - The same size as the Reads specified in `C_XCL<Port_Num>_LINESIZE`

If the XCL PIM is used, the NPI data width is fixed automatically at 32 bits. XCL data and address are labeled with big-endian bit and byte ordering as described in [Figure 8, page 99](#).

XCL Pipeline Stages

The `C_XCL<Port_Num>_PIPE_STAGES` parameter can be used to adjust the number of pipeline stages in the XCL PIM. There are three different pipelines with four possible settings for `C_XCL<Port_Num>_PIPE_STAGES`:

- 0 - No pipelines are enabled.
- 1 - One pipeline is enabled: This setting enables a pipeline register on the output of the XCL Read data FIFO. This pipeline helps cross clock boundaries on the read channel. Adds one cycle of Read latency.
- 2 - Two pipelines are enabled: This setting enables an additional pipeline on the NPI Read FIFO Empty signal. This helps alleviate timing path on the NPI read FIFO control signals, and adds one cycle of Read latency.
- 3 - Three pipelines are enabled: This setting enables an additional pipeline on the output of the XCL Access FIFO.

Note: Pipelines added in with values 1 and 2 each add a cycle of latency to each XCL Read. The pipeline added with value 3 might add one cycle of latency to both XCL Reads and XCL Writes.

XCL Clock Requirements

The XCL PIM runs at an integer ratio of the MPMC memory clock rate. This clock ratio is automatically detected during reset and can be a ratio of either 1:1 or 2:1. The XCL PIM clock must be synchronous and rising edge-aligned to the MPMC memory clock.

XCL Additional Information

For additional details on XCL, including signaling protocol and waveforms, see the *MicroBlaze Processor Reference Guide*. The "[Reference Documents](#)," [page 234](#) contains a link to the document.

Soft Direct Memory Access Controller PIM for LocalLink Interfaces

The Soft Direct Memory Access (SDMA) Controller PIM, which is integrated into MPMC, provides high-performance Direct Memory Access (DMA) for streaming data. The SDMA provides two channels, one for receiving data and one for transmitting data. Transmit and Receive are accomplished through two LocalLink interfaces.

This section contains the following subsections:

- [SDMA Features](#)
- [SDMA Overview](#)
- [SDMA Operation](#)
- [DMA Operation Descriptors](#)
- [SDMA Error Conditions](#)
- [Managing SDMA Descriptors](#)
- [SDMA LocalLink Interface](#)
- [SDMA Interrupts and Errors](#)
- [SDMA Transaction Timing](#)
- [SDMA Registers](#)

SDMA Features

The SDMA Controller for LocalLink interfaces contains the following features:

- Direct plug-in to MPMC
- Simultaneous, independent Transmit and Receive DMA operations
- Per-channel Interrupt Event reporting
- Interrupt Coalescing
- Xilinx PLBv4.6 interface for control as a register access
- User-defined LocalLink headers and footers⁽¹⁾
- Dynamic Scatter Gather Buffer Descriptor modification
- SDMA supports the following configurations only:
 - 16-, 32-, and 64-bit for DDR
 - 32- and 64-bit for SDRAM
 - All widths in Spartan-6 and Virtex-6

SDMA Overview

The SDMA uses a Native Port Interface (NPI), two LocalLink interfaces, and a PLB interface. The NPI connects the SDMA controller into the MPMC PIM. The two LocalLink interfaces, a Transfer (TX) and a Receive (RX), provide full duplex LocalLink device access to the SDMA. The PLB interface allows the CPU to interact with the SDMA for initiating DMA processes or status gathering. The PLB and LocalLink data and address signals are labelled with big-endian bit/byte ordering as illustrated in "[Big-Endian Memory Data Types](#)," page 99.

1. For use with functions such as checksum off loading

Figure 15 provides a high-level block diagram of SDMA.

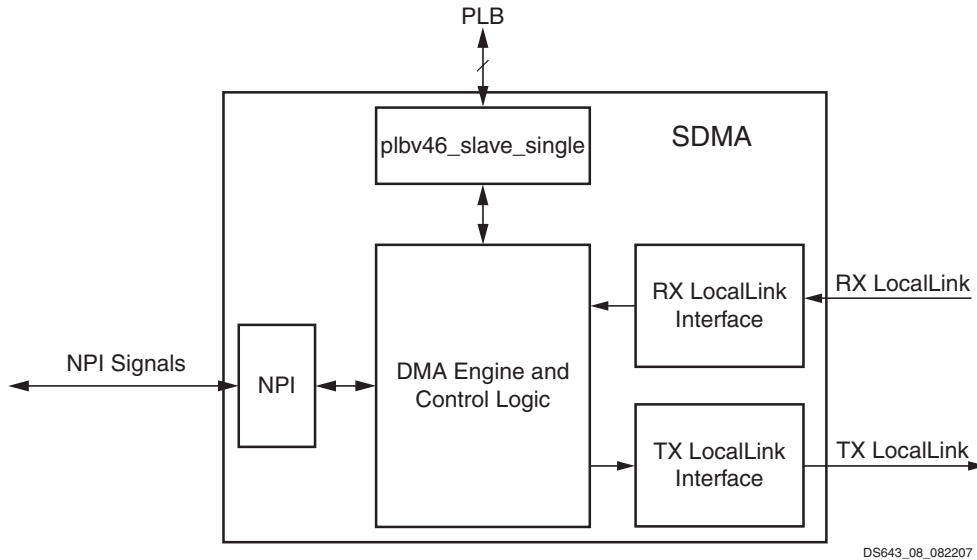


Figure 15: High Level SDMA Block Diagram

SDMA Operation

Scatter Gather Operation

Scatter Gather operation has the concept of descriptor chaining which allows a packet to be described by more than one descriptor. Typical use for this feature is to allow storing or fetching of ethernet headers from one location in memory and payload data from another location. Software applications that can take advantage of this can improve throughput.

SDMA uses Start of Packet bit (SOP) and End of Packet bit (EOP) to delineate packets in a buffer descriptor chain. When the DMA fetches a descriptor with the `STS_CTRL_APP0.SOP` bit set this triggers the start of a packet. The packet continues fetching subsequent descriptors until a descriptor with the `STS_CTRL_APP0.EOP` bit is set.

For the receive channel, when a packet has been completely received the SDMA acquires the footer fields of the LocalLink stream and writes these values to APP0 through APP4 fields of the last descriptor. SDMA also sets `STS_CTRL_APP0.EOP=1` indicating to the software that the current receive buffer as described by the descriptor contains the last of the packet data.

For the transmit channel, SDMA uses the `STS_CTRL_APP0.EOP` bit. When SDMA determines that the `STS_CTRL_APP0.EOP` bit is set in `STS_CTRL_APP0`, the SDMA completes the currently requested transfer and then terminates the LocalLink transfer with a LocalLink End of Frame (EOF).

Starting and Stopping DMA Operations

DMA operations can be started by writing an address to the respective `TAILDESC_PTR` register. When the start condition is met, `CHNL_STS.EngBusy` of the respective channel is set and the SDMA fetches the first descriptor that is pointed to by the address in the `CURDESC_PTR` register.

DMA descriptor processing will continue until a descriptor that has the `TAILDESC_PTR = CURDESC_PTR` for the respective channel has finished being processed.

DMA Operation Descriptors

SDMA operation requires a common memory-resident data structure that holds the list of DMA operations to be performed. This list of instructions is organized into what is referred to as a Descriptor Chain. The descriptor shown in the following table is the basis for organizing the DMA operations as a Linked List. Descriptors are fetched through the NPI. A similar mechanism is used for performing descriptor updates. Table 67 lists the SDMA descriptors:

Table 67: SDMA Descriptors

Name	Description	Purpose
NXTDESC_PTR	Next Descriptor Pointer	Specifies where in memory the next descriptor is to be fetched.
CURBUF_ADDR	Buffer Address	Specifies where in memory the buffer is for receiving or transmitting data.
CURBUF_LENGTH	Buffer Length	For Transmit, specifies the amount of data in bytes that are to be transmitted. For Receive, indicates the amount of space in bytes that is available to receive data.
STS_CTRL_APP0	Status/Control and App Data 0	Status/Control for controlling and providing status to the DMA transfer of application specific data.
APP1	Application Data 1	Application specific data.
APP2	Application Data 2	Application specific data.
APP3	Application Data 3	Application specific data.
APP4	Application Data 4	Application specific data.

Table 68 shows the STS_CTRL_APP0 register bits.

Table 68: STS_CTRL_APP0

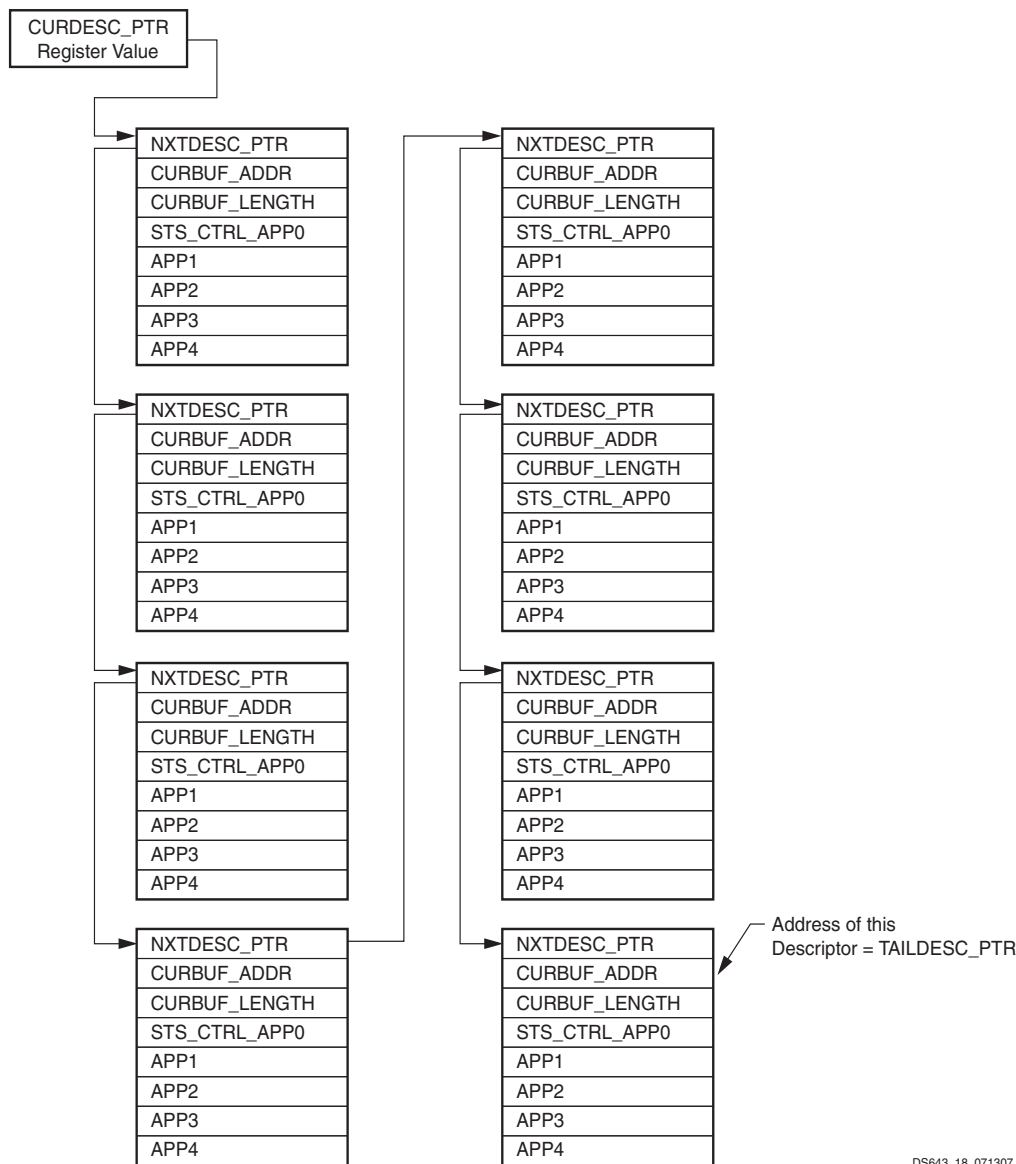
Bit(s)	Name	Type	Description
0	Error	Status	Set by the DMA when a error is encountered.
1	IrqOnEnd	Control	When set, causes the DMA to generate an interrupt event when the current descriptor has been completed.
2	Reserved	N/A	Undefined
3	Completed	Status	When set, indicates that the current descriptor has been completed.
4	SOP	Status/Control	Transmit Channel (Control): Set by software in the descriptor indicating this buffer descriptor is the first descriptor of a packet. Receive Channel (Status) Set by DMA in the descriptor indicating that a start of packet was received on LocalLink.
5	EOP	Status/Control	Transmit Channel (Control): Set by software in the descriptor indicating this buffer descriptor is the last descriptor of a packet. Receive Channel (Status): Set by DMA in the descriptor indicating that an end of packet was received on LocalLink.
6	Reserved	N/A	Undefined.
7	Reserved	N/A	Undefined.
8:31	Application Data 0	N/A	Application specific data.

Each field of the descriptor is 4 bytes in length and corresponds to either one of the DMA channel registers or user application fields.

- For transmit channels, the application data fields (APP0 to APP4) of the first descriptor are transmitted as part of the Header of the LocalLink Transmit Data stream.
- For receive channels, the Application Data Fields of the last buffer descriptor will be updated with a portion of the Footer of the LocalLink Receive Data stream.

See "SDMA LocalLink Headers and Footers," page 149 for more information on LocalLink headers and footers.

Figure 16 and Figure 17, page 143 show descriptors organized into a linked list. SDMA will successively perform the DMA operations specified in the descriptors up to and including the descriptor with the CURDESC_PTR = TAILDESC_PTR.



DS643_18_071307

Figure 16: Linked List of Descriptors

Figure 17 shows descriptors organized into a buffer ring for dynamic descriptor update. The buffer ring is for a Transmit channel as evidenced by STS_CTRL_APP0 . SOP=1 and STS_CTRL_APP0 . EOP=1 tags.

Packet 4 is specified by a single descriptor and others by more than one consecutive descriptor. The address of the last ready packet is equal to the `TAILDESC_PTR`, giving a sentinel position in the ring.

Note: Even when descriptors are contiguously allocated, they are required to be linked through the `NXTDESC_PTR` field.

Note: For receive channels, `STS_CTRL_APP0.SOP` and `STS_CTRL_APP0.EOP` are set by SDMA and updated to memory for use by the software application.

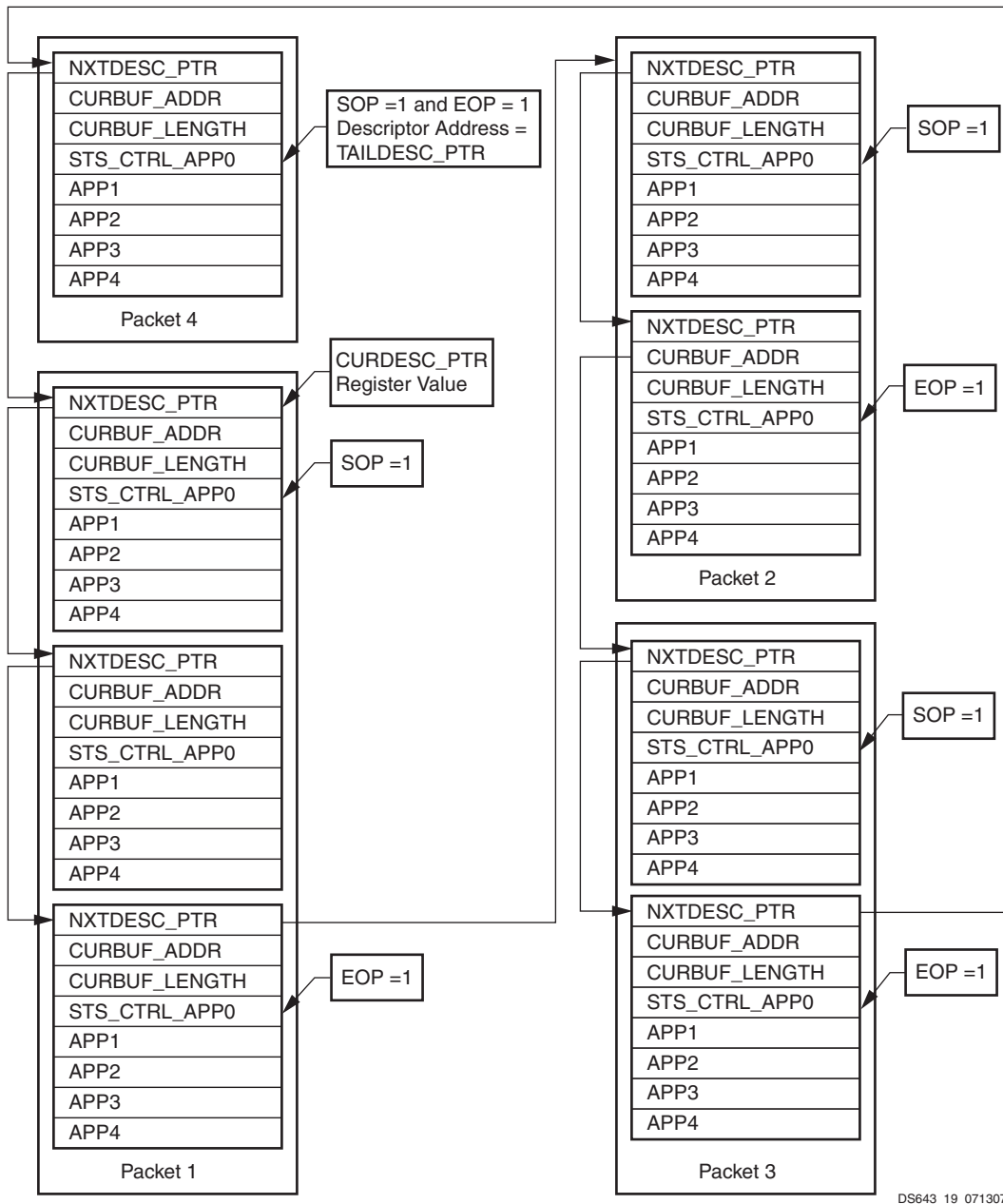


Figure 17: Descriptors Organized Into a Buffer Ring

Transmit Channel Operation

The following steps are required to execute a packet transmit operation:

1. The software creates a chain of descriptors:
 - a. Specify in the descriptor the packet boundaries using the `STS_CTRL_APP0.SOP` and `STS_CTRL_APP0.EOP` bits.
 - b. Specify the address to the data buffer to transmit in the `CURBUF_ADDR` field.
 - c. Specify the amount of data to transfer for each descriptor in the `CURBUF_LENGTH` field.
 - d. Specify a pointer to the next descriptor in `NXTDESC_PNT`.
2. Software prepares the DMA Channel registers (Order of steps a and b are not critical):
 - a. Set up interrupts if so desired by writing to the `TX_CHNL_CTRL` register, specifying interrupt coalescing information (if enabled).
 - b. Set a pointer to the first descriptor in the `TX_CURDESC_PTR` register.
3. The software starts SG automation by writing the pointer to the last descriptor to fetch into the `TAILDESC_PTR` register.
4. SDMA requests the first descriptor pointed to by the `TX_CURDESC_PTR` register.
5. Upon completion of the descriptor fetch, the DMA cycle begins.
6. If the currently fetched descriptor has `STS_CTRL_APP0.EOP` set, the data of that descriptor is transmitted and the Master completes the packet on the LocalLink with and End of Payload, (EOP) and End of Frame (EOF). If the currently fetched descriptor does *NOT* have `STS_CTRL_APP0.EOP` set the packet continues.
7. At the completion of each descriptor the channel register information is updated to the corresponding descriptor memory location.
8. This process continues until the descriptor `TX_CURDESC_PTR = TX_TAILDESC_PTR` is completed processing.

Receive Channel Operation

The following steps are required to execute a receive operation:

1. The software creates a chain of descriptors.

Note: SDMA supports multiple descriptors being used to describe a single packet. The `STS_CTRL_APP0.EOP` bit is set by SDMA in the descriptor associated to the buffer containing the last byte of the received packet.

 - a. Specify in the `CURBUF_ADDR` field of each descriptor the address to the start of the associated buffer for receiving data.
 - b. Specify in the `CURBUF_LENGTH` field of each descriptor the available size of the associated buffer for receiving data. The sum total of the Length field/s in the descriptors must specify a byte count that is large enough to hold an entire packet.
 - c. Specify a pointer to the next descriptor in `NXTDESC_PNT` field.
2. The software prepares the DMA Channel registers (Order of steps a and b are not critical):
 - a. Set the pointer to the first descriptor in `RX_CURDESC_PTR` register.
 - b. Set up Interrupts if required by writing to the `RX_CHNL_CTRL` register, specifying interrupt coalescing information (if enabled).
3. The software starts SG Automation by writing the pointer to the last descriptor to fetch into the `RX_TAILDESC_PTR` register.
4. SDMA requests the first descriptor pointed to by the `RX_NXTDESC_PTR` register. For receive channels, the User Application fields are updated in the descriptor during the descriptor update phase of processing.
5. Upon completion of the descriptor fetch, the DMA cycle begins.

This process continues until the descriptor `RX_CURDESC_PTR = RX_TAILDESC_PTR` has completed processing.

SDMA Error Conditions

SDMA performs several error checking functions to ensure proper operation of the DMA engine. If an error occurs then the channel on which the error is detected is halted, and the channel status register Error bit for the channel is set to 1. If possible, the Error bit for the current descriptor is set to 1 also; although, depending on the error condition, this might not get updated to remote memory.

To recover from an error condition the SDMA must be reset either by a hard reset or by issuing a soft reset (such as setting `SwReset = 1` in the DMA Control register. Table 69 lists the possible errors that can be flagged and their causes.

Table 69: Descriptor Errors

Error	Description
TX_CHNL_STS.CurPErr RX_CHNL_STS.CurPErr	Current Descriptor Pointer Error This error occurs if the Current Descriptor Pointer does not fall within the <code><prefix>_BASEADDR</code> to <code><prefix>_HIGHADDR</code> range ⁽¹⁾ . Descriptors must reside within memory as mapped by the base address and high address of the NPI. Addresses outside this range are detected and flagged as errors.
TX_CHNL_STS.TailPErr RX_CHNL_STS.TailPErr	Tail Descriptor Pointer Error This error occurs if the Tail Descriptor Pointer does not fall within the <code><prefix>_BASEADDR</code> to <code><prefix>_HIGHADDR</code> range. Descriptors must reside within memory as mapped by the base address and high address of the NPI. Addresses outside this range are detected and flagged as errors.
TX_CHNL_STS.NxtPErr RX_CHNL_STS.NxtPErr	Next Descriptor Pointer Error This error occurs if the Next Descriptor Pointer does not fall within the <code><prefix>_BASEADDR</code> to <code><prefix>_HIGHADDR</code> range ⁽¹⁾ . Descriptors must reside within memory as mapped by the base address and high address of the NPI. Addresses outside this range are detected and flagged as errors.
TX_CHNL_STS.AddrErr RX_CHNL_STS.AddrErr	Buffer Address Error This error occurs if the Buffer Address does not fall within the <code><prefix>_BASEADDR</code> to <code><prefix>_HIGHADDR</code> range ⁽¹⁾ . All transmit and receive data buffers must reside within memory as mapped by the base address and high address of the NPI. Addresses outside this range are detected and flagged as errors.
TX_CHNL_STS.CmpErr RX_CHNL_STS.CmpErr	Complete Bit Error This error occurs if a descriptor is fetched with the Complete bit set to 1 (as in <code>STS_CTRL_APP0.Completed = 1</code>). This error indicates that a descriptor, which had been already used by SDMA, is being processed again, before the software application has had a chance to process the descriptor and associated data buffer. This error checking can be disabled or enabled by setting/clearing <code>C_COMPLETED_ERR_TX</code> and <code>C_COMPLETED_ERR_RX</code> for the associated channel. Setting the parameters to 1 enables checking and setting the parameters to 0 disables checking.
TX_CHNL_STS.BsyWr RX_CHNL_STS.BsyWr	Busy Write Error This error occurs if the Current Descriptor Pointer register is written to via the PLBv4.6 slave port while the SDMA engine is busy. Examining <code>TX_CHNL_STS.EngBusy</code> and <code>RX_CHNL_STS.EngBusy</code> for the respective channel will indicate to the software application whether or not the channel is busy. If <code>EngBsy = 1</code> then the channel is busy and The Current Descriptor Pointer should not be written to by the software application.

1. where: `C_ALL_PIMS_SHARE_ADDRESSES =`
`0:<prefix> = C_MPMC`
`1:<prefix> = C_PIM<Port_Num>`

Managing SDMA Descriptors

Prior to starting DMA operations, the software application must set up a descriptor or chain of descriptors. After the descriptors are set, SDMA begins processing the descriptors, fetches, processes, and then updates the descriptors. By analyzing the descriptors, the software application can read status on the associated DMA transfer, fetch user information on receive channels, and determine completion of the transfer. With this information the software application can manage the descriptors and data buffers.

When a descriptor has been processed by the SDMA, the transfer status is updated into the `STS_CTRL_APP0` field. When the software application sets up the descriptor chain, the status bits in the Control/Status field of each descriptor must be set to zero. The status bits are: `Error`, `Completed`, and `EngBusy`.

For receive channels SOP and EOP are status bits and must be set to zero. For transmit channels SOP and EOP are control bits set by the software application. This allows the software application to determine when a descriptor has been processed and if there were errors during processing.

As each descriptor is updated into remote memory, `STS_CTRL_APP0.Completed` bit is set to 1. By checking the `STS_CTRL_APP0.Completed` bit and walking through the descriptor chain, the software application can determine which descriptors have been completed.

Figure 18 shows remote memory where software has constructed a descriptor chain. The SDMA, shown on the right, fetches descriptors, processes them, and then updates the descriptor in remote memory providing status. As shown the `STS_CTRL_APP0.Completed=1` for the descriptors that have been processed.

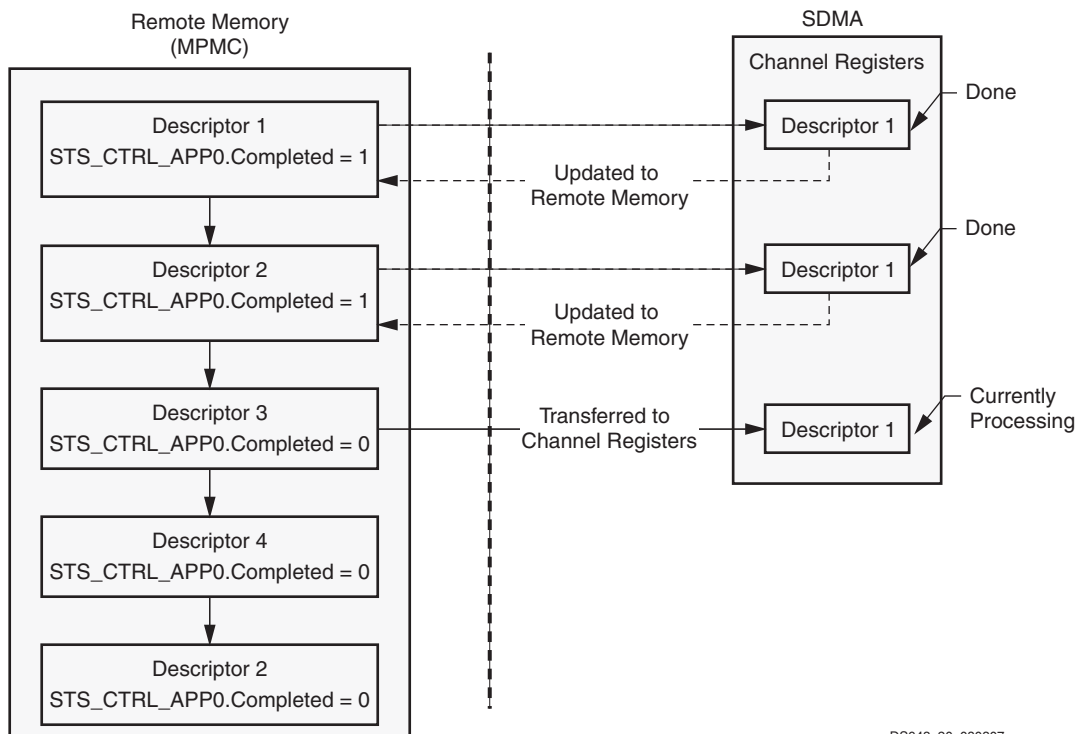


Figure 18: Software - Hardware Descriptor Processing

For further clarity on Receive channels, by monitoring the `STS_CTRL_APP0.Completed` bit in the descriptor, the software application can determine which data buffers, as described by the descriptor, have received data and need to be processed. By looking for `STS_CTRL_APP0.SOP` and `STS_CTRL_APP0.EOP` the software application can determine the start and end buffers containing a packet.

For Transmit channels, `STS_CTRL_APP0.Completed=1` indicates to the software application that the data in the associated buffer has been transmitted and is free to be modified.

If an error occurs during the DMA transfer, either during the descriptor fetch and update or during the actual requested DMA transfer, the `STS_CTRL_APP0.Error` bit is set.

If an error occurs during a transfer, an `IRQ_REG.ErrIrq` interrupt is generated, the respective `CHNL_STATUS.EngBusy` is cleared to 0, and DMA operations are halted. At this point the Software application must issue a reset to the SDMA to reset and resume DMA operations by writing a 1 to the `DMA_CONTROL.SwReset` bit.

Dynamic Descriptors

At times it might be necessary to update a descriptor chain while the SDMA is actively processing the buffer descriptors. This can be achieved when a channel is configured to operate in TailPointer mode.

Appending a Descriptor Chain

The SDMA is designed so software applications can append new buffer descriptor chains into an already active chain with minimal effort on the part of the software application.

This can be accomplished by updating the `TAILDESC_PTR` if the descriptors are arranged in a ring. This method is as follows:

If no updates were made to the descriptor chain, the DMA controller would process Descriptor 0 through Descriptor 9 and stop after Descriptor 9 because the original `TAILDESC_PTR` would equal the `CURDESC_PTR` of Descriptor 9.

For this example, assume that the software application has started DMA operation by setting the `TAILDESC_PTR` address to Descriptor 9. The SDMA fetches and begins processing Descriptor 0. At this point the software determines that it is necessary to append Descriptors 10, 11, and 12 to the already active chain.

To append the new descriptors:

1. Set up Descriptors 10, 11, and 12 in remote memory.
2. Update the `NXTDESC_PTR` of the descriptor in memory space to point to descriptor.
3. Update the `TAILDESC_PTR` register with the address of Descriptor 12.

If SDMA is in the middle of processing Descriptor 9, a race condition occurs. The `NXTDESC_PTR` that SDMA picks up is pointing to a potentially invalid location.

If the software application updates `NXTDESC_PTR` in memory space and then updates the `TAILDESC_PTR` in the SDMA, the SDMA does not update its `NXTDESC_PTR` register from memory space and, consequently fetches the next descriptor from an invalid place.

Modifying a Descriptor Using A Descriptor Ring

When using a descriptor ring to modify a descriptor, no new descriptors are added. Consider a situation where 14 descriptors are arranged in a loop and the stop point from Descriptor 13 must be moved to Descriptor 5 without stopping the chain. It is assumed that the new descriptor chain was created in remote memory and that the SDMA is actively processing the original descriptor chain. To perform that operation:

1. Modify the already processed descriptors, such as the descriptor with the field setting `STS_CTRL_APP0.Completed = 1`.
2. Move `TAILDESC_PTR` to point at Descriptor 5.

Figure 19 illustrates the example in which the stop point is moved from 13 to 5..

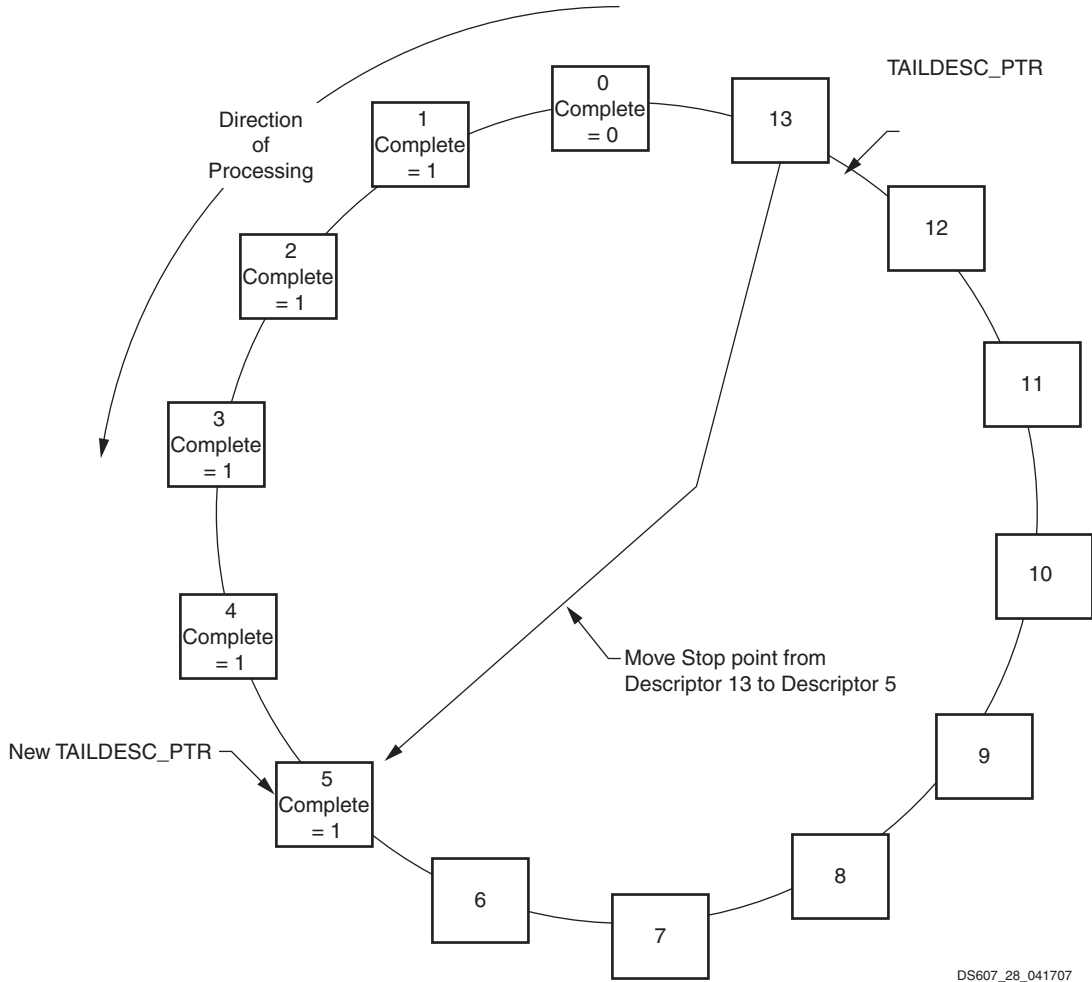


Figure 19: Descriptor Chain - Loop Configuration

SDMA LocalLink Interface

The LocalLink Interface comprises:

- [SDMA LocalLink Headers and Footers](#)
- [Transmit LocalLink Interface](#)
- [Receive LocalLink Interface](#)

SDMA LocalLink Headers and Footers

SDMA uses LocalLink headers and footers to pass data in and out of the Buffer Descriptor User Application (APP#) fields. This allows the software application to pass user-defined data to and from the user IP using the LocalLink data stream.

For the transmit channel, the first descriptor describing a packet which includes APP0 to APP4, is transferred in the header of the LocalLink data stream as shown in the following figure. For Transmit channel the Header is always 8 words long and the footer is always one word long. The footer data should be ignored. Figure 20 illustrates the headers and footers.

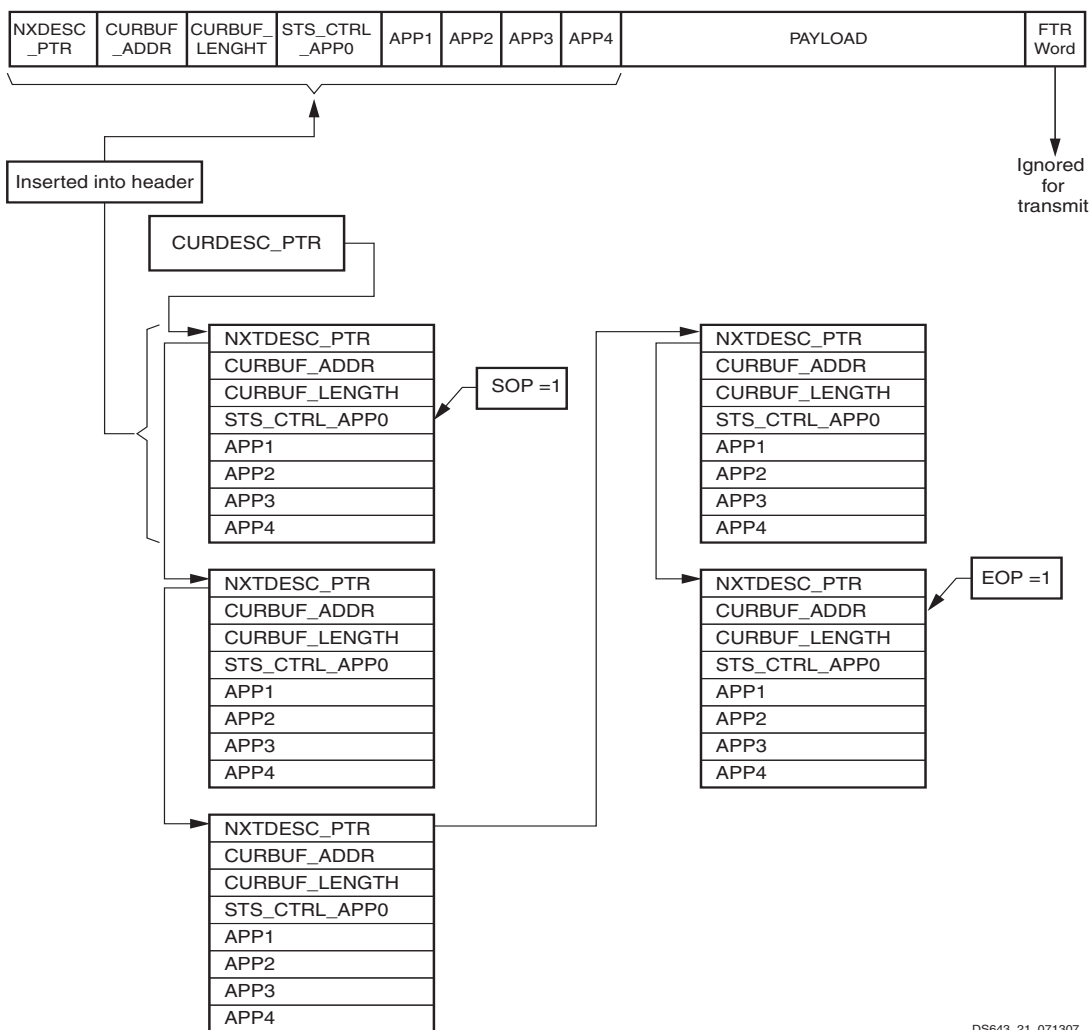


Figure 20: LocalLink Transmit Data Stream Header/Footer Assignment

For the Receive channel as shown in Figure 21:

- The header must be only one word long and the data is discarded by the SDMA.
- The footer must be exactly eight words long.
- The last descriptor is populated with the LocalLink footer user App Fields, App0 and App1 to App4.

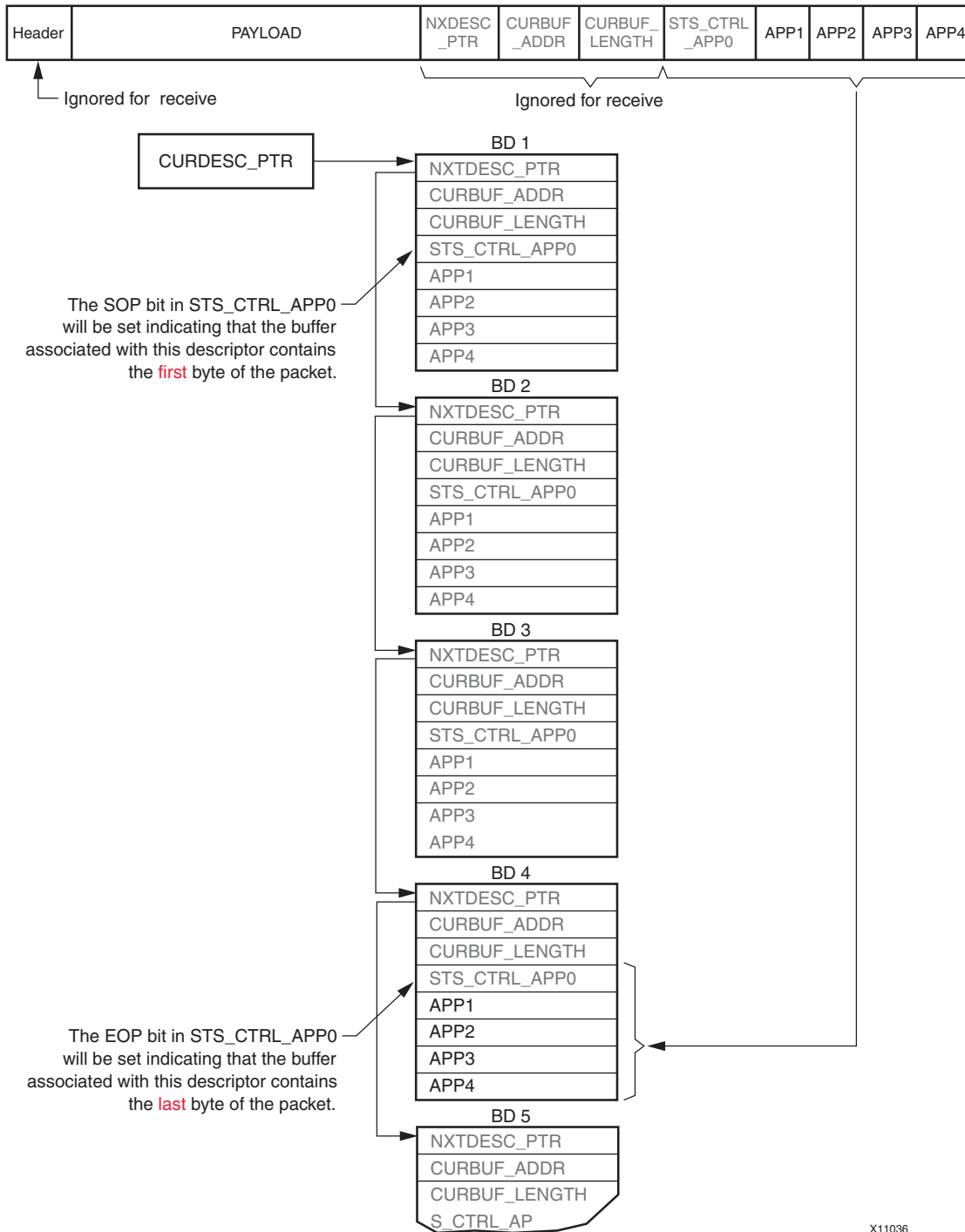


Figure 21: LocalLink Receive Data Stream Footer Assignment

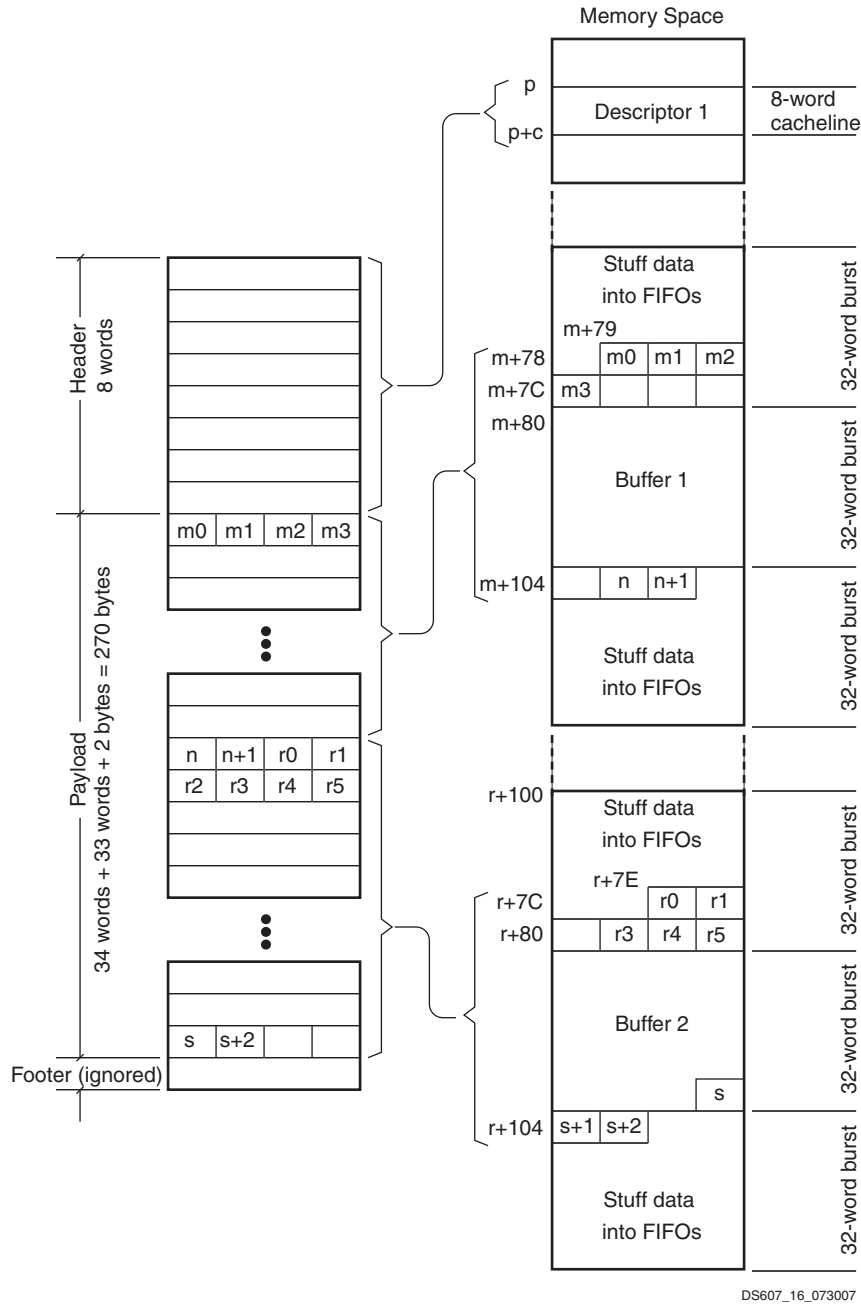
Transmit LocalLink Interface

The Transmit LocalLink and Byteshifter logic take data from the appropriate place in memory and move the data across the LocalLink interface. This concept is shown in [Figure 22, page 152](#).

Note: The `Src_Rdy` signal does not assert unless `Dst_Rdy` is asserted. Designing IP that relies on `Src_Rdy` asserted before asserting `Dst_Rdy` could result in deadlock.

In this example:

- The SDMA reads the descriptor in the address range p to $p+1C$ and sends it to the LocalLink as the header. The payload is 136 bytes and starts at address $m+79$.
- The Transmit Byteshifter sends data acknowledges to the memory controller while keeping the `Src_Rdy` signal to the LocalLink de-asserted, because address $m+79$ is not 32-word aligned.
- Data from the address range m to $m+78$ is discarded.
- Data is offset by 78 bytes, so the first byte of data occurs on the second byte location on the posedge of the DDR SDRAM.
- The Transmit Byteshifter takes the posedge (x 0 1 2) and negedge (3 4 5 6) data from DDR SDRAM, which are both present at the time, recombines them to form a new, correctly shifted word (0 1 2 3), and sends it over the LocalLink as the payload.
- At the end of the first 32-word burst read (B32R), three bytes are left over and kept in the Byteshifter.
- When the second burst occurs, the three bytes from the Byteshifter are combined with the first byte of the second burst and sent over LocalLink. This happens again between the second and third burst.
- The fourth burst is generated due to a second descriptor. Also, it describes a buffer that begins at an odd boundary; for example, offset $0x7E$. Bytes $r0$ and $r1$ are combined with the leftover bytes from the previous burst, n and $n+1$.
- On the last word of the payload, the `Rem` signal is set to indicate which bytes of the word are valid. `Rem` is $0x3$ in this example to indicate that only the first two bytes are valid.
- After byte $n+1$ is sent the FIFOs in MPMC, which hold all 32 words of the burst, are reset to avoid extra data acknowledge.
- For Tx transfer, the footer is not used. The status bits are written back to the status field of the descriptor.



DS607_16_073007

Figure 22: Transmit Byte Shift Example

Receive LocalLink Interface

The LocalLink and Byteshifter Rx logic receives data from the LocalLink interface and moves the data to the appropriate place in memory. This concept is shown in [Figure 23, page 154](#).

In this example:

- The SDMA always ignores the Rx LocalLink Header, which must be only 1 word long.
- The Payload is processed by the Rx Byteshifter and pushed into the MPMC Write FIFOs. The Payload is 270 bytes.
- The data is pushed into the FIFOs in bursts of 32 words (B32W).
- Data is stuffed into the FIFOs from address m through address $m+0x7C$ because the Payload is written to address $m+0x79$, which is not a 32-word aligned address.
- When these bytes are written to memory, the byte enables are turned Off.
- In the second B32W, all of the data is valid.
- In the third B32W, only three bytes must be written to memory. This means that the remaining 125 bytes must be stuffed into the FIFOs at the end of the burst.
- The length of buffer 1 was specified to be 138 bytes long in the Receive descriptor. After the first three bytes, B32Ws buffer 1 is full.
- The remainder of the payload is transferred to buffer 2.
- The fourth, fifth, and sixth transfers are similar to the first three transfers in that the first valid byte is not at an even boundary.
- SDMA begins the fourth B32W at $r+00$, setting the byte enables to Off for all the bytes up to the first valid byte at $r+7E$.
- The fifth B32W has all bytes valid, and, in the final B32W, only two bytes are valid.
- The remaining 126 bytes are pushed to the FIFO with the byte enables set to Off.
- After the Payload is processed, the footer is processed and written to memory at address p .
- The SDMA changes the byte enables of the first three words to prevent the Next Descriptor Pointer, Buffer Address, and Buffer Length values from being overwritten. Thus, only the values of `STS_CTRL_APP0`, `APP1`, `APP2`, `APP3`, and `APP4` are updated in the memory space.

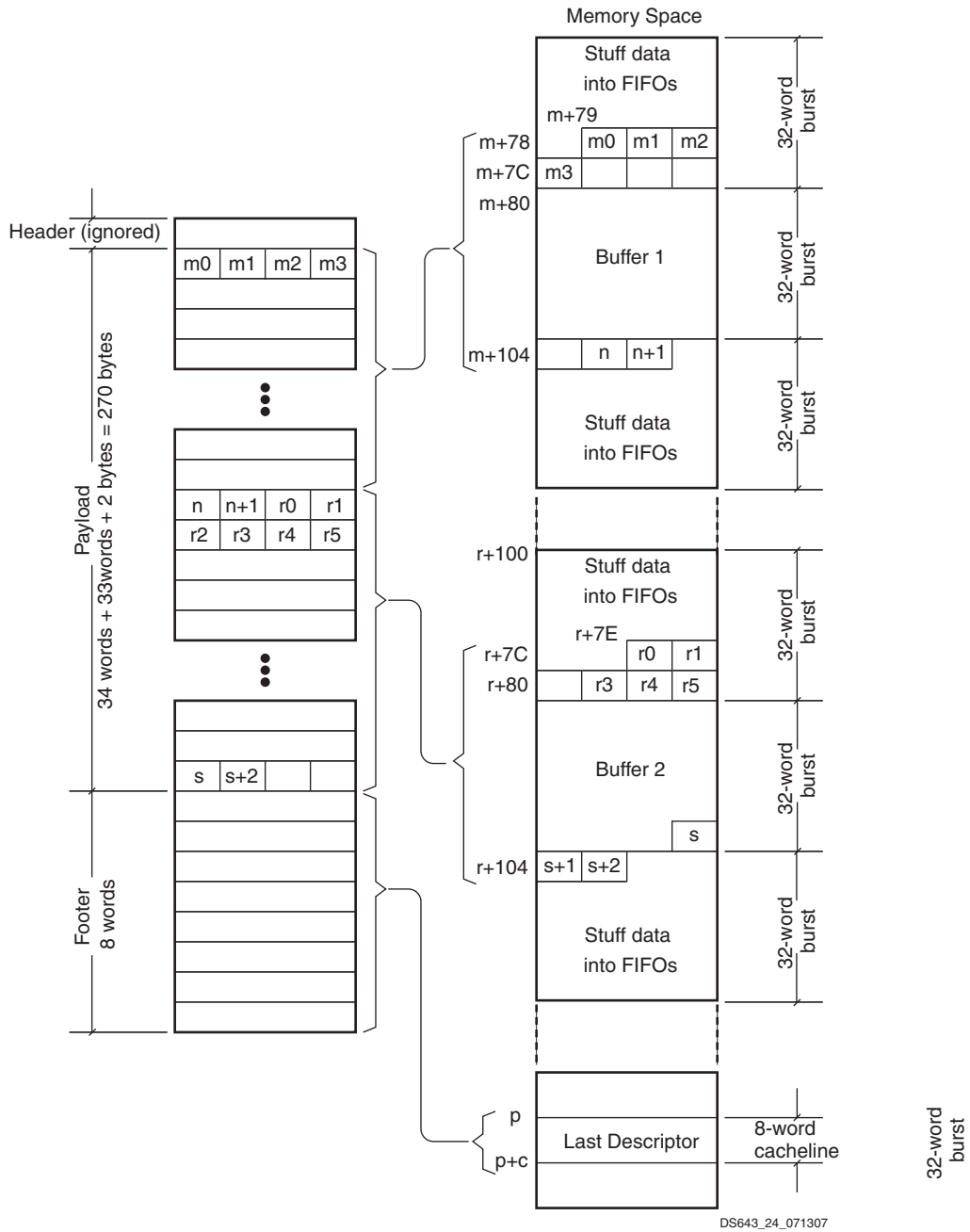


Figure 23: Receive Byte Shift Example

SDMA Interrupts and Errors

The following subsections describe DMA interrupts and errors:

- [SDMA Controller Interrupt Description](#)
- [SDMA Error Events](#)
- [SDMA Interrupt On End Event](#)
- [SDMA Interrupt Coalescing and Delay Timer](#)
- [SDMA Engine Reset](#)

SDMA Controller Interrupt Description

Each channel can generate one or more events. The interrupt registers (IRQ_REG) report events for the individual channels; see [Figure 24](#).

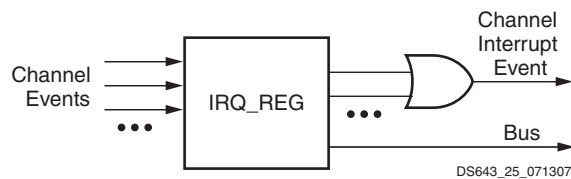


Figure 24: Interrupt Status Register

The IRQ_REG generates a system interrupt when ERRIrq, DlyIrq, or ClscIrq is set and the corresponding enable bit is set in the CHANNEL_CTRL register.

Reading the individual IRQs allows the software to determine which event occurred and for which channel the event was logged. Writing a 1 to the bit position of the event that was logged either clears that event, in the case of the IRQ_REG.ErrIrq interrupt, or decrements the ClscCnt or DlyCnt, depending upon to which bit the data is written. When the IRQ_REG.ClscCnt is zero, the IRQ_REG.ClscIrq is cleared to zero. Likewise, when the IRQ_REG.DlyCnt is zero, the IRQ_REG.DlyIrq is cleared to zero.

SDMA Error Events

An error event occurs when an error is detected during SDMA operations. If an error is detected, IRQ_REG.ErrIrq is set, and if CHANNEL_CTRL.IrqEn = 1 and CHANNEL_CTRL.IrqErrEn = 1, the DMA Controller also generates an interrupt, or increments the Coalescing Event counter. This event can be cleared by writing a 1 to IRQ_REG.ErrIrq.

When a DMA transfer error occurs for a particular channel, that channel is shut down and no more DMA processing occurs for that channel.

SDMA Interrupt On End Event

An Interrupt On-End Event (IOE) occurs when SDMA has completed processing of a buffer descriptor with the IOE bit set in the STS_CTRL_APP0 field or an end of packet (EOP) is received or transmitted. If the DMA has completed operations, the IRQ_REG.CoalIrq is set and, if enabled, an interrupt is also generated. Otherwise, the Coalescing Event counter increments.

SDMA Interrupt Coalescing and Delay Timer

The delay timer is required because of interrupt coalescing in the DMA. For example, if the Rx coalescing counter is set to 10, an interrupt event is generated for every 10 packets received. If five packets are received on the ethernet and the channel then goes idle (no traffic), the CPU never processes the five packets because no interrupt was generated and this interrupt happens only when (or if) five more packets arrive.

To avoid this latency, a timer must fire when a packet has been received, some configurable time has elapsed, and there are no more packets received during this time.

The purpose of this timer is to avoid large latencies in the received packet (which is sitting in main memory) from being processed by the CPU when there is non-continuous traffic.

As shown in Figure 25, the Clock Divider module uses a 10-bit value, C_PRESCALAR, to determine how many LocalLink clock cycles to count before generating a single Timer_ce pulse. For a typical LocalLink clock speed of 200MHz and C_PRESCALAR=1023, this translates to a 5.12 usec Timer_ce period. Therefore, the 8-bit timer is able to count up to a maximum of 256*5.12 = 1.3 msecs, before generating an interrupt.

When the Coalescing Counter fires, the delay timer clears automatically.

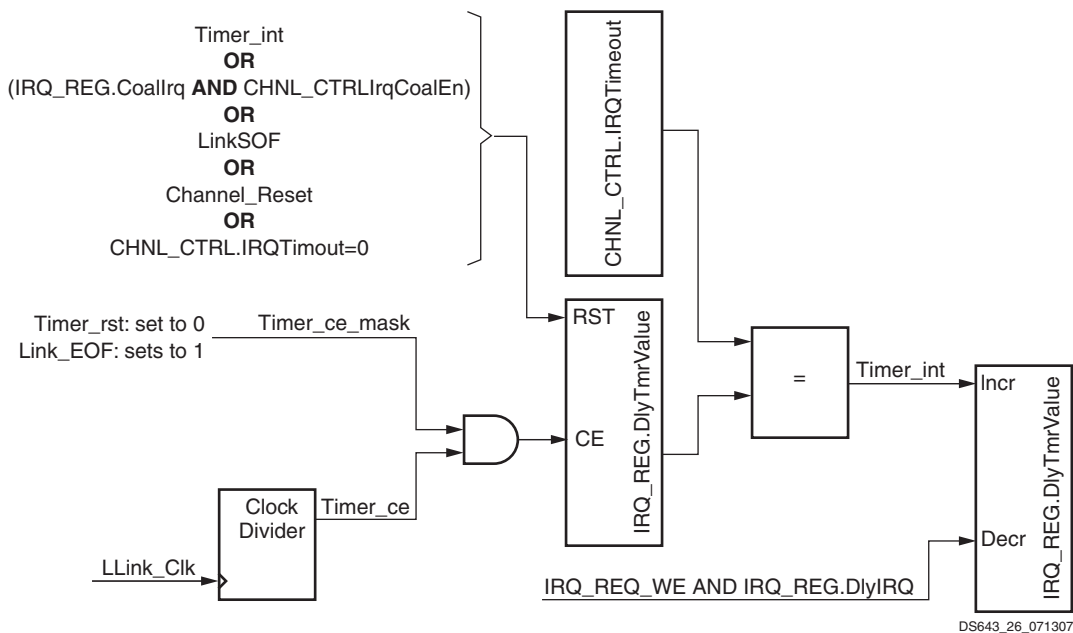


Figure 25: Delay Timer Interrupt Scheme

The Interrupt Coalescing counter is an additional mechanism for interrupt handling. It can relieve the need for the CPU to service an interrupt at the end of every packet. Instead, a pre-loadable number of interrupt events (up to 256) generate a single interrupt to the CPU. Figure 26, page 157 shows the mechanism used for the Tx coalescing counter interrupt generation.

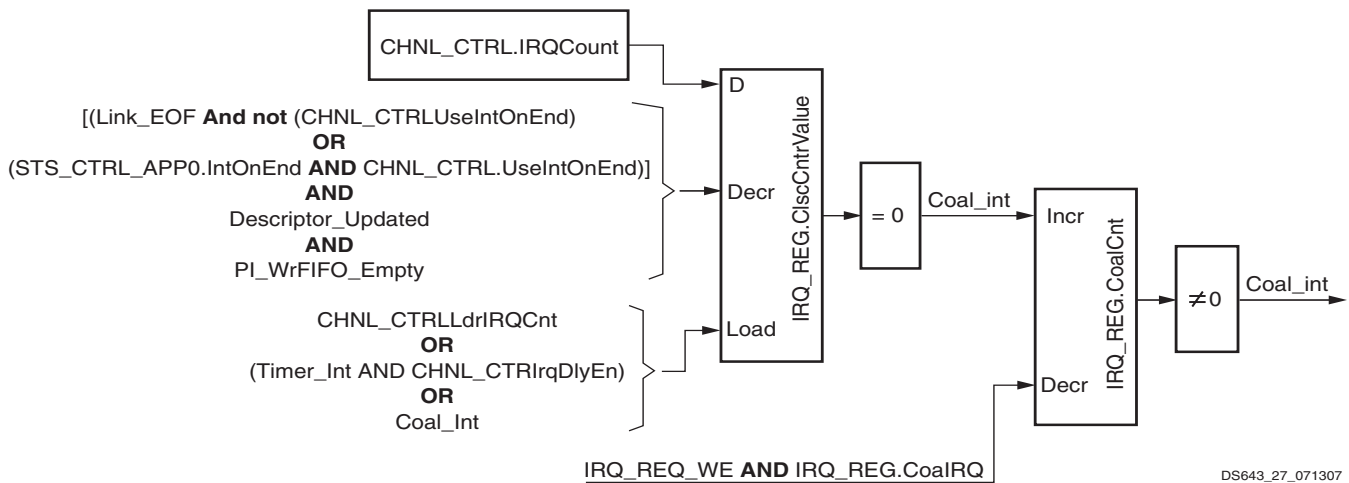


Figure 26: Coalescing Counter Interrupt Scheme

In this example:

- Upon reset, the `CHNL_CTRL.IRQC` count value is used to load the coalescing counter. Subsequently, the register field, `TxIrqCountReg[0:7]`, can be programmed with any 8-bit value.
- On every EOP or `irq-on-end` (selected by `CHNL_CTRL.UseIntOnEnd`), the counter will decrement. When the coalescing counter reaches 0, the DMA increments the 4-bit interrupt counter.
- When the 4-bit interrupt counter is non-zero, it generates an interrupt to the CPU (if the `irq_enable` bit of the respective channel is set).
- When the interrupt is acknowledged (with a control register write value of 1), the 4-bit interrupt counter is decremented.
- The contents of the `TxIrqCountReg[0:7]` register is reloaded when the 4-bit interrupt counter increments.

There is also a means provided for the CPU to force the counter to load the contents of the `TxIrqCountReg[0:7]` register. This is achieved when the CPU writes the `LdIrqCnt` field.

Note: When the delay timer fires, the Coalescing Counter automatically reloads automatically.

SDMA Engine Reset

It is possible to reset a particular SDMA engine (both Rx and Tx channels simultaneously) whenever a “lockup” situation arises or an error is detected.

The software reset bit, `DMA_CONTROL_REG.SwReset` allows the software application to reset SDMA. When you write a 1 to `DMA_CONTROL_REG.SwReset`, it initiates the reset sequence for that SDMA. At the same time, the `SDMA_RstOut` output is asserted, synchronous to the LocalLink clock. This output can be used as an external logic reset.

After a soft reset is initiated, software must poll the `DMA_CONTROL_REG.SwReset` bit until it is sampled as de-asserted, which indicates that the reset sequence is complete and the pipeline is flushed. Simultaneously with the `DMA_CONTROL_REG.SwReset` bit being cleared, the `SDMA_RstOut` is de-asserted automatically.

Note: When the DMA engine reset function is used, there is no guarantee that the current descriptor completed correctly. The assumption should be that the descriptor did not complete and it should be restarted again using the normal CPU technique for starting a new DMA operation.

SDMA Transaction Timing

The following subsections describe transaction timing for SDMA.

- [SDMA Descriptor Fetch](#)
- [SDMA Descriptor Update](#)
- [SDMA Transmit Data Read](#)
- [SDMA Receive Data Write](#)
- [SDMA Transmit LocalLink](#)
- [SDMA Receive LocalLink](#)

SDMA Descriptor Fetch

Figure 27 shows NPI port interface timing for a descriptor fetch. The SDMA uses 8-word, cacheline reads to perform a descriptor fetch. The timing from when the SDMA makes a request of the NPI will depend on arbitration in MPMC. The SDMA monitors `PI_RdFIFO_Empty` to determine when to begin to pop data out of the MPMC read FIFO.

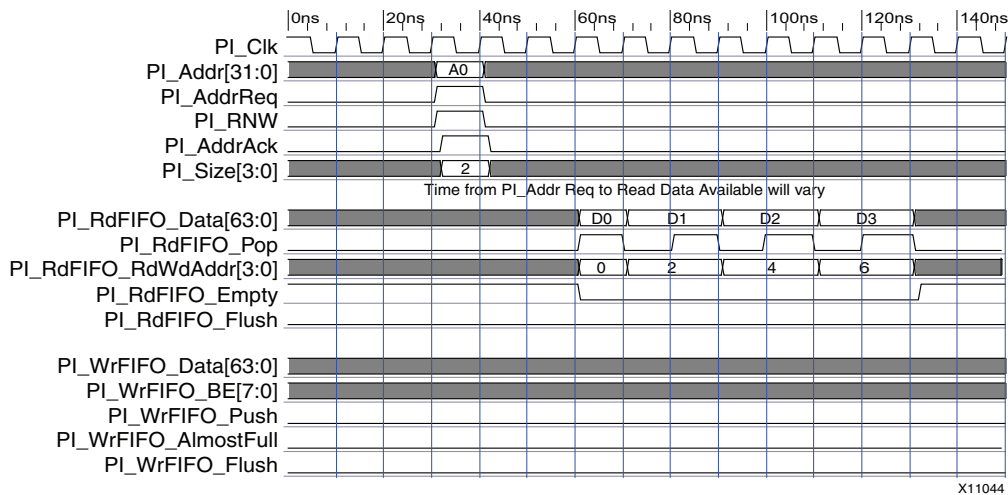


Figure 27: Descriptor Fetch Timing

X11044

SDMA Descriptor Update

Figure 28 shows the MPMC port interface timing for a descriptor update. The SDMA uses 8-word cacheline writes to perform a descriptor update. The SDMA will push the data into the MPMC Write FIFO if there is space available. After the data has been pushed to the FIFO, the SDMA makes a Write request to the MPMC.

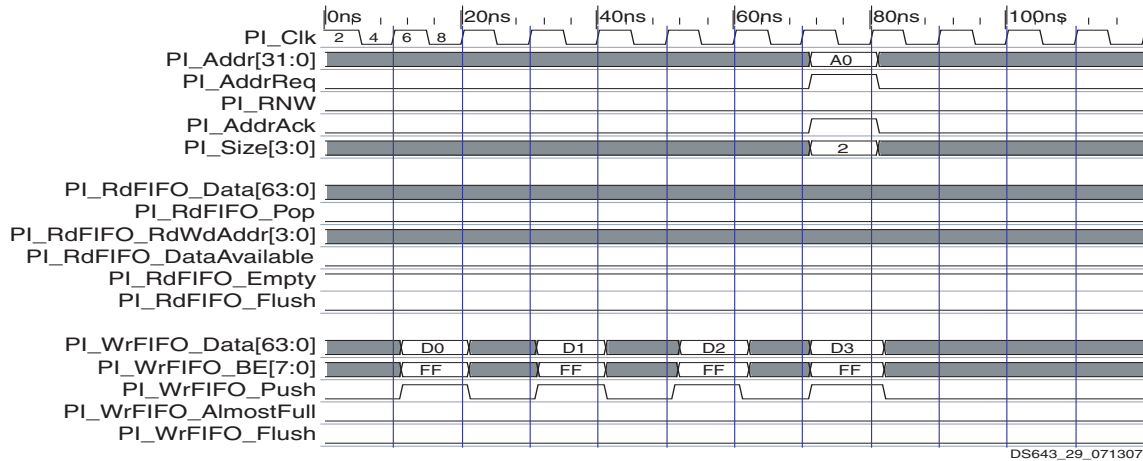


Figure 28: Descriptor Update Timing

SDMA Transmit Data Read

Figure 29 shows a transmit data read (fetch) from the MPMC. The SDMA uses 32-word (or 16-double word) Reads to fetch data for transmitting across LocalLink. Reads always begin at 32-word boundaries. The SDMA uses the data starting with the current buffer address only and ignores additional invalid data fetched due to the 32-word boundary restriction.

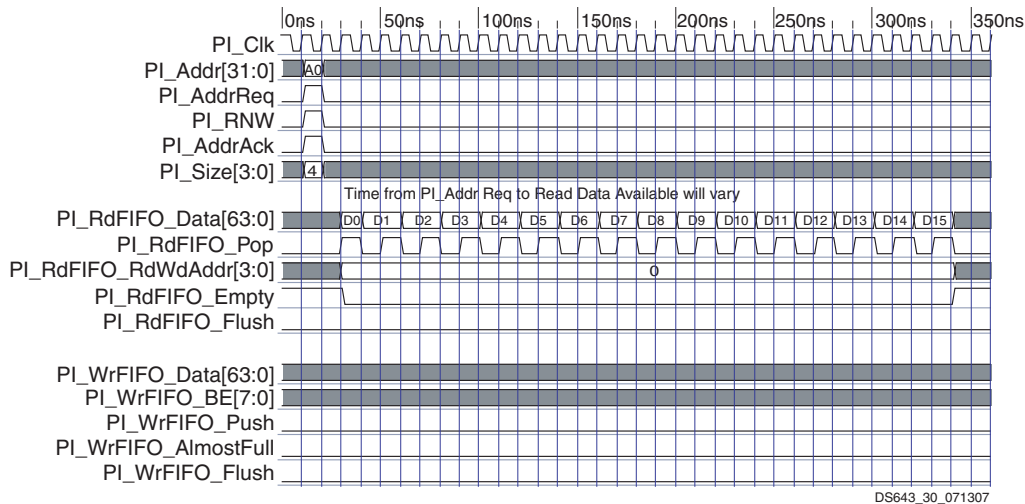


Figure 29: Transmit Data Read

SDMA Receive Data Write

Figure 30 shows received data being written to the MPMC. The SDMA uses 32-word burst writes to write data to MPMC. The transfers are always 32-word aligned. The `PI_WrFIFO_BE` bus is used to indicate which bytes of the 32 words are valid. The first two bytes are shown as being invalid and the last byte is also invalid.

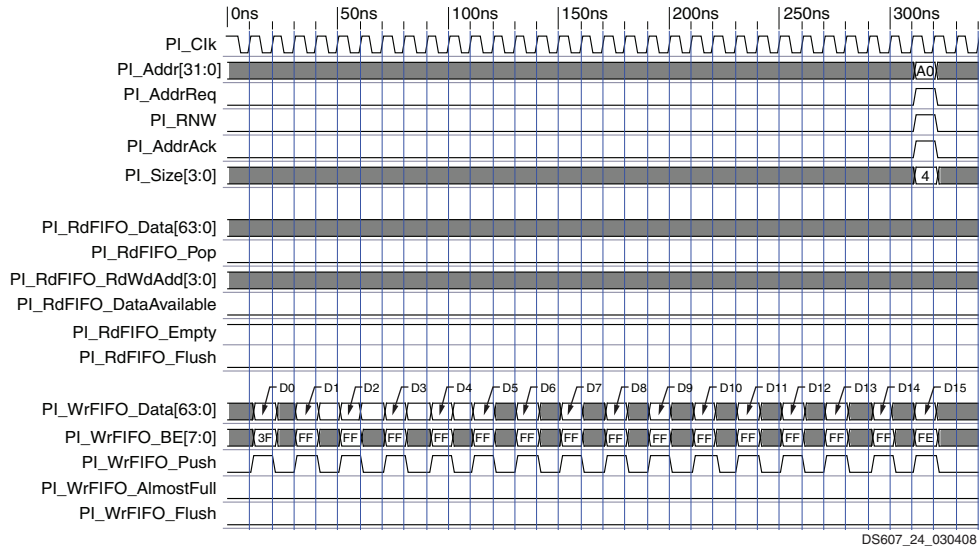


Figure 30: Receive Data Write

SDMA Transmit LocalLink

Figure 31 shows an example transmit LocalLink transfer of 8 words.

Note: During a transmit the first buffer descriptor is transferred in the header of the LocalLink data stream.

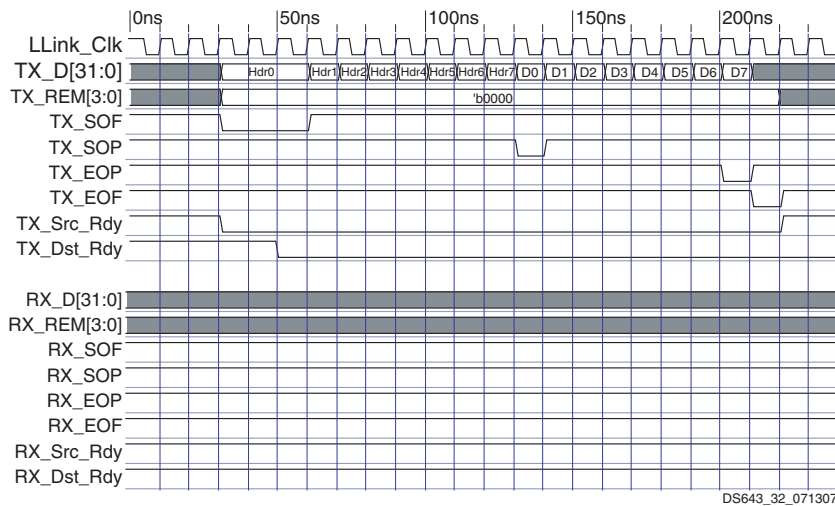


Figure 31: Transmit LocalLink Timing

SDMA Receive LocalLink

An example receive LocalLink transfer of 8 words is shown in Figure 32.

Note: During a receive request the last buffer descriptor of a packet is populated with the APP fields of the LocalLink footer.

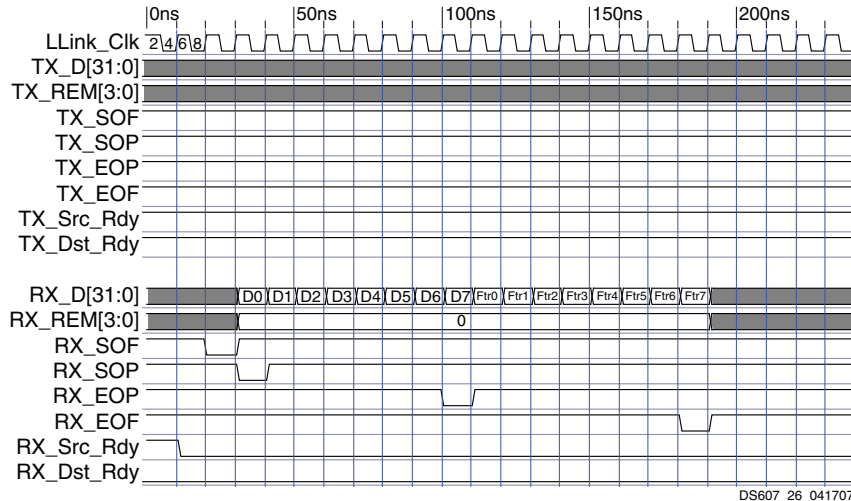


Figure 32: Receive LocalLink Timing

SDMA Registers

The SDMA registers are detailed in the following subsections:

- Next Descriptor Pointer (TX_NXTDESC_PTR and RX_NXT_DESC_PTR) Offsets: 0x00 and 0x20
- Current Buffer Address (TX_CURBUF_ADDR and RX_CURBUF_ADDR) Offsets: 0x04 and 0x24
- Current Buffer Length (TX_CURBUF_LENGTH, RX_CURBUF_LENGTH) Offsets: 0x08 and 0x28
- Current Descriptor Pointer (TX_CURDESC_PTR, RX_CURDESC_PTR) Offsets: 0x0C and 0x2C
- Tail Descriptor Pointer (TX_TAILDESC_PTR and RX_TAILDESC_PTR) Offsets: 0x10 and 0x30
- Channel Control Register (TX_CHNL_CTRL and RX_CHNL_CTRL) Offsets: 0x14 and 0x34
- Interrupt Status Register (TX_IRQ_REG and RX_IRQ_REG) Offsets: 0x18 and 0x38
- Channel Status Register (TX_CHNL_STS and RX_CHNL_STS) Offsets: 0x1C and 0x3C
- DMA Control Register Offset: 0x40

Next Descriptor Pointer (TX_NXTDESC_PTR and RX_NXT_DESC_PTR) Offsets: 0x00 and 0x20

The Next Descriptor Pointers TX_NXTDESC_PTR (Transmit) and RX_NXT_DESC_PTR (Receive), are loaded from the Next Descriptor Pointer field in the current descriptor for the respective channel. This value is kept in the respective SDMA register until the SDMA has completed all DMA transactions within the DMA transfer. After DMA transactions are complete, the current descriptor is complete and the SDMA_COMPLETED bit is set in the respective status register. The current descriptor is written to update the status of the STS_CTRL_APP0 field within the descriptor.

Then the SDMA evaluates if there is a halt condition that occurs when the Current Descriptor Pointer equals the Tail Descriptor Pointer.

If there is no halt condition, the address contained in the Next Descriptor Pointer register is evaluated as follows:

- If a NULL (0x00000000) is contained in the Next Descriptor Pointer register, the SDMA engine stops processing buffer descriptors.
- If the address contained in the Next Descriptor Pointer register is not 8-word aligned or reaches beyond the range of available memory, the SDMA halts processing and sets the `SDMA_ERROR` bit in the respective status register (`TX_CHNL_STATUS` or `RX_CHNL_STATUS`).
- If the Next Descriptor Pointer register contains a valid address, the contents are moved to the respective Current Descriptor register (`TX_CURDESC_PTR` or `RX_CUR_DESC_PTR`).

Then the SDMA begins another DMA transaction. [Table 70](#) describes the Next Description Pointer (`TX_` and `RX_`) register bits.

Table 70: Next Descriptor Pointer Register Description

Bit(s)	Name	Core Access	Reset Value	Description
0:31	<code>TX_NXTDESC_PTR</code> and <code>RX_NXT_DESC_PTR</code>	Read	0x00000000	8 word aligned pointer to the next buffer descriptor in the chain. If NULL (0x00000000), DMA engine stops processing buffer descriptors.

Current Buffer Address (`TX_CURBUF_ADDR` and `RX_CURBUF_ADDR`)
Offsets: 0x04 and 0x24

The Current Buffer Address register, one for transmit and one for receive, maintains the contents of the address in memory where the DMA operation is conducted next. This value is originally loaded into the SDMA when the descriptor is read by the SDMA.

When set by the current buffer descriptor, the SDMA periodically transfers this value to an internal Address Counter that then updates the value for each DMA transaction completed.

Upon termination of the transaction, the SDMA overwrites the value of the Current Buffer Address register with the last value of the Address Counter.

This process continues repeatedly until the SDMA has completed the current descriptor. The reason for this mechanism is so the SDMA can maintain multiple temporal channels of DMA at a substantially reduced hardware cost. It is not recommended that software use the Current Buffer Address register to determine SDMA progress because it changes dynamically. [Table 71](#) describes the Current Buffer Address register bits.

Table 71: Current Buffer Address Register Description

Bit(s)	Name	Core Access	Reset Value	Description
0:31	<code>TX_CURBUF_ADDR</code> and <code>RX_CUR_BUF_ADDR</code>	Read	0x00000000	Address to the current buffer being processed by SDMA.

Current Buffer Length (TX_CURBUF_LENGTH, RX_CURBUF_LENGTH)**Offsets: 0x08 and 0x28**

The Current Buffer Length register, one for transmit and one for receive, maintains the contents of the remaining length of the data to be transferred by the SDMA. The value is originally loaded into the SDMA when the descriptor is read by the SDMA. When set by the current descriptor, the SDMA periodically transfers this value to an Internal Length Counter, which then updates the value for each DMA transaction completed. Upon termination of the transaction, the SDMA overwrites the value of the Current Buffer Length register with the last value of the internal length counter. This process continues repeatedly until the SDMA has completed the current descriptor. [Table 72](#) describes the Current Buffer Length register bits.

Table 72: Current Buffer Length Register Description

Bit(s)	Name	Core Access	Reset Value	Description
0:31	TX_CURBUF_LENGTH and RX_CURBUF_LENGTH	Read	0x00000000	Length in bytes of the current buffer being processed by SDMA.

Current Descriptor Pointer (TX_CURDESC_PTR, RX_CURDESC_PTR)**Offsets: 0x0C and 0x2C**

The Current Descriptor Pointer register, one for transmit and one for receive, maintains the pointer to the buffer descriptor that is currently being processed. The value was set either by the CPU when it first initiated a DMA operation, or is copied from the Next Descriptor Pointer register upon completion of the prior descriptor. This value is maintained by the SDMA as a pointer so that the SDMA can update the status and application dependent fields of the descriptor after the buffer descriptor has been fully processed. [Table 73](#) describes the Current Descriptor Pointer register bits.

Table 73: Current Descriptor Pointer Register Description

Bit(s)	Name	Core Access	Reset Value	Description
0:31	TX_CURDESC_PTR and RX_CURDESC_PTR	Read/Write	0x00000000	An 8-word aligned pointer to the current buffer descriptor being processed by the SDMA.

Tail Descriptor Pointer (TX_TAILDESC_PTR and RX_TAILDESC_PTR)**Offsets: 0x10 and 0x30**

The Tail Descriptor Pointer register, one for transmit and one for receive, maintains the pointer to the buffer descriptor chain tail. Tail Pointer Mode is always enabled; consequently, DMA operations will halt when processing of the buffer descriptor pointed to by TAILDESC_PTR is completed. Writing to this register starts DMA operations. [Table 74](#) describes the Tail Descriptor Pointer register bits.

Table 74: Tail Descriptor Pointer Register Description

Bit(s)	Name	Core Access	Reset Value	Description
0:31	TX_TAILDESC_PTR and RX_TAILDESC_PTR	Read/Write	0x00000000	An 8-word aligned pointer to the tail descriptor. The software application writes to this field to initiate a DMA transfer.

Channel Control Register (TX_CHNL_CTRL and RX_CHNL_CTRL) Offsets: 0x14 and 0x34

The Channel Control register, one for transmit and one for receive, controls interrupt processing for the particular channel. Figure 33 illustrates the Channel Control register, and Table 75 describes the Channel Control register bits.

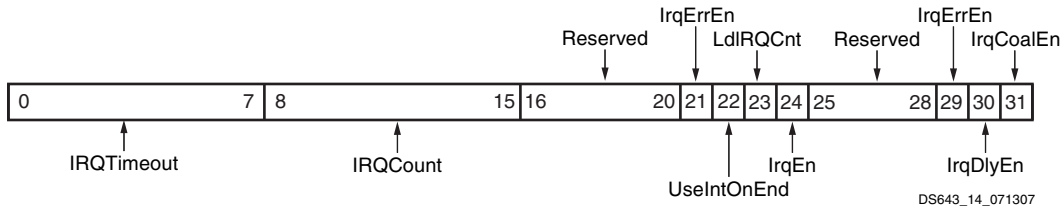


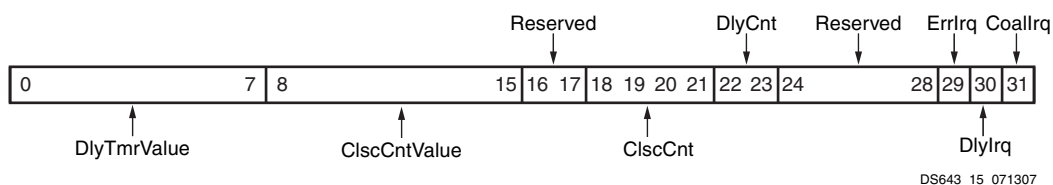
Figure 33: Channel Control Register

Table 75: Channel Control Register

Bit(s)	Name	Core Access	Reset Value	Description
0:7	IRQTimeout	Read/Write	0	Interrupt Delay Time-out Value The maximum amount of time that an unreported packet is required to wait until generating a Delay Interrupt (DlyIRQ) event. (Must remain unchanged for the duration of an DMA operation.)
8:15	IRQCount	Read/Write	00	Interrupt Coalescing Threshold Count Value The number of packets that must be received to generate a Coalescing Interrupt (ClscIrq) event. This value is loaded into the packet threshold counter when LdIrqCnt = 1 and subsequently re-loaded whenever the threshold count is reached.
16:20	Reserved			Reserved - Read as zero.
21	Use1BitCnt	Read/Write	0	Use 1 Bit Wide Counters. <i>Currently Not Used.</i>
22	UseIntOnEnd	Read/Write	0	Use Interrupt On End: Selects between using the interrupt-on-end mechanism or using the EOP mechanism for interrupt coalescing. 1 - Selects the interrupt-on-end mechanism 0 - Selects the EOP mechanism
23	LdIRQCnt	Write	0	Load IRQ Count: Writing a 1 to this field forces the loading of the Interrupt Coalescing counters from the CHANNEL_CTRL.IrqCount[0:7] field. This is a self-clearing field. Read as zero
24	IrqEn	Read/Write	0	Master Interrupt Enable: When set, indicates that the DMA channel is enabled to generate interrupts. This is the master enable for the channel. Individual sources can be enabled and disabled separately.
25:28	Reserved			Reserved - Read as zero
29	IrqErrEn	Read/Write	0	Interrupt on Error Enable: When set, indicates that an interrupt will be generated if an error occurs
30	IrqDlyEn	Read/Write	0	Interrupt on Delay Enable: When set, indicates that an interrupt will be generated when the time-out value is reached.
31	IrqCoalEn	Read/Write	0	Interrupt on Count Enable: When set, indicates that an interrupt will be generated when the interrupt coalescing threshold value is reached.

Interrupt Status Register (TX_IRQ_REG and RX_IRQ_REG)**Offsets: 0x18 and 0x38**

The Interrupt Status register, one for transmit and one for receive, indicates interrupt pending and interrupt coalescing count values. This register is used by the software application also to acknowledge pending interrupts by writing a 1 to clear the pending interrupts. Figure 34 illustrates the Interrupt Status register, and Table 76 describes the Interrupt Status register bits.

**Figure 34: Interrupt Status Register****Table 76: Interrupt Status Register**

Bit(s)	Name	Core Access	Reset Value	Description
0:7	DlyTmrValue	Read	0	Delay Timer Value This field contains the real time delay timer value.
8:15	ClscCntrValue	Read	FF	Coalesce Counter Value This field contains the real time coalesce counter value.
16:17	Reserved			Reserved - read as zero.
18:21	ClscCnt	Read	0	Coalesce Interrupt Count Indicates the number of events due to reaching the interrupt coalesce threshold.
22:23	DlyCnt	Read	0	Delay Interrupt Count Indicates the number of events due to reaching the wait bound delay time.
24:28	Reserved			Reserved - read as zero
29	ErrlRq	Read/Write	0	Error Interrupt Event Indicates that an error has occurred. Writing a 1 to this bit clears the interrupt.
30	DlylRq	Read/Write	0	Delay Interrupt Event Indicates that delay time-out event has occurred. Writing a 1 to this bit clears the interrupt.
31	CoallRq	Read/Write	0	Coalesce Interrupt Event. Indicates that an interrupt event threshold count has been reached. Writing a 1 to this bit clears the interrupt.

Channel Status Register (TX_CHNL_STS and RX_CHNL_STS) Offsets: 0x1C and 0x3C

The Channel Status register, one for transmit and one for receive, contains status for a particular channel. Figure 35 illustrates the Channel Status register, and Table 77 describes the Channel Status register bits.

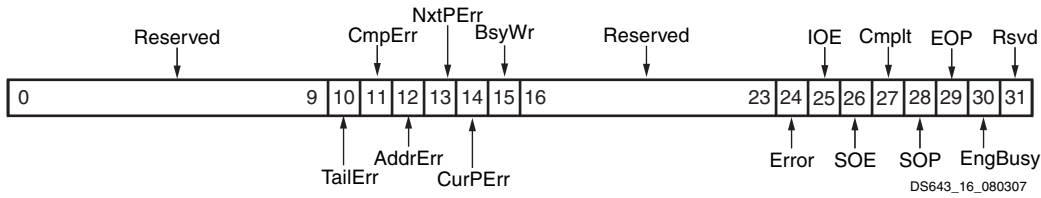


Figure 35: Channel Status Register

Table 77: Channel Status Register

Bit(s)	Name	Core Access	Reset Value	Description
0:9	Reserved			Reserved - Read as zero.
10	TailPErr	Read	0	Tail Pointer Error: This bit indicates that Tail Pointer is NOT a valid address. Valid addresses are between C_PI_BASEADDR and C_PI_HIGHADDR.
11	CmpErr	Read	0	Complete Error: This bit indicates a descriptor was fetched with the Cmplt = 1 in the STS_CNTRL_APP0 field of the descriptor. This error check is enabled by setting C_COMPLETED_ERR_RX and/or C_COMPLETED_ERR_TX to 1 for the respective channel.
12	AddrErr	Read	0	Address Error: This bit indicates the Current Buffer Address is NOT a valid address. Valid addresses are between C_PI_BASEADDR and C_PI_HIGHADDR.
13	NxtPErr	Read	0	Next Descriptor Pointer Error: This bit indicates the Next Descriptor Pointer is NOT a valid address. Valid addresses are between C_PI_BASEADDR and C_PI_HIGHADDR.
14	CurPErr	Read	0	Current Descriptor Pointer Error: This bit indicates the Current Descriptor Pointer is NOT a valid address. Valid addresses are between C_PI_BASEADDR and C_PI_HIGHADDR.
15	BsyWr	Read	0	Busy Write Error: This bit indicates the Current Descriptor Pointer register was written to while the DMA Engine was busy.
16:23	Reserved			Reserved - Read as zero.
24	Error	Read	0	DMA Error: This bit indicates that an error occurred during DMA operations. This bit is an OR'ing of error bits 10 to 15.
25	IOE	Read	0	Interrupt On End: This bit is a copy of the corresponding bit in the STS_CTRL_APP0 field of the descriptor.
26	SOE	Read	0	Stop On End: This bit is a copy of the corresponding bit in the STS_CTRL_APP0 field of the descriptor.
27	Cmplt	Read	0	Complete: When set indicates that the DMA has transferred all data defined by the current descriptor.
28	SOP	Read	0	Start of Packet (SOP): For transmit, the CPU sets this bit in the descriptor to indicate that this is the first descriptor of a packet to be transmitted. For Receive, this bit being set indicates that a valid SOP was received on the LocalLink side.

Table 77: Channel Status Register (Cont'd)

Bit(s)	Name	Core Access	Reset Value	Description
29	EOP	Read	0	End of Packet (EOP): For Transmit, the CPU sets this bit in the descriptor to indicate that this is the last descriptor of a packet to be transmitted. For Receive, this bit being set indicates that a valid EOP was received on the LocalLink side.
30	EngBusy	Read	0	Engine Busy: When set, indicates that the respective channel is busy with a DMA operation. Generally, software should not write any DMA registers while this bit is set. Reading of registers is allowed.
31	Reserved	Read		Reserved - Read as zero.

DMA Control Register**Offset: 0x40**

The DMA Control register controls the DMA operation. Figure 36 illustrates the DMA Control register, and Table 78 describes the DMA Control register bits.

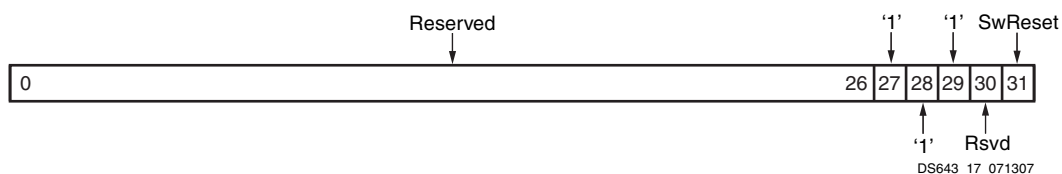


Figure 36: DMA Control Register

Table 78: DMA Control Register

Bit(s)	Name	Core Access	Reset Value	Description
0:26	Reserved		0	Reserved - read as zero
27	Reserved		1	Reserved - read as one
28	Reserved		1	Reserved - read as one
29	Reserved		1	Reserved - read as one
30	Reserved		0	Reserved - read as zero
31	SwReset	Read/Write	0	Software Reset Writing a 1 to this field forces the DMA engine to shutdown and reset itself. After setting this bit, software must poll it until the bit is cleared by the DMA. This indicates that the reset process is done and the pipeline has been flushed 1= Reset DMA - Resets both Rx and Tx Channels 0= Normal Operation (default)

Processor Local Bus Version 4.6 PIM

The Processor Local Bus version 4.6 (PLB v4.6) PIM provides the interconnect from the PLB v4.6 bus to the MPMC.

This sections has the following topics:

- [PLB v4.6 PIM Features](#)
- [PLB v4.6 PIM Overview](#)
- [Supported NPI Transfer Types](#)
- [Supported PLB Master and Bus Widths](#)
- [Configuring PLB v4.6 for Point-To-Point or Shared Bus](#)
- [Configuring PLB v4.6 PIM SUBTYPES](#)
- [Supported Transactions by SUBTYPE](#)

PLB v4.6 PIM Features

The PLB v4.6 PIM supports the following features:

- IBM CoreConnect 32-, 64-, and 128-bit PLB compatibility conforming to PLB v4.6 with Xilinx simplifications. See "[Reference Documents](#)," page 234 for links to more information.
- Access by 32-, 64-, and 128-bit masters. The PLB data and address signals are labelled with big-endian bit and byte ordering as illustrated in "[Big-Endian Memory Data Types](#)," page 99.
- Single, data-beat read and write data transfers
- Fixed-burst read and write data transfers
- 4- and 8-word, cacheline read and write transfers
- PLB Point-to-Point (P2P) configuration
- Supports 1:1 and 2:1 (MPMC:PIM) synchronous clock ratios (automatically detected during reset)
- `PIM<Port_Num>_PLB_SAVAlid` on PLB read transfers to minimize bubbles between reads
- 32-bit address offset (the optional address offset is added to the PLB transaction address to compute the physical memory address to be accessed)

PLB v4.6 PIM Overview

PLB v4.6 PIM provides the interconnect from the PLB v4.6 bus to the MPMC.

Over NPI, PLB v4.6 PIM translates a PLB transaction into one or more NPI transactions. These NPI transactions can be byte, half-word, word, 4- and 8-word, cacheline transactions. The NPI transactions type can be 16 word bursts or 32 word bursts also, depending on the value of `C_SPLB<Port_Num>_NATIVE_DWIDTH`.

If the generic `C_SPLB<Port_Num>_NATIVE_DWIDTH` is set to 64, the PIM requests 32 word NPI bursts from MPMC; however, if `C_SPLB<Port_Num>_NATIVE_DWIDTH` is set to 32, the PIM will request 16 word NPI bursts from MPMC. The PLB v4.6 PIM translates PLB transactions into these discrete NPI transactions. Because PLB bursts can have a fixed length ranging from 1 to 16 data beats and can start at different addresses, the PIM must arrange PLB data to fit the available set of NPI transaction types.

The PLB v4.6 PIM is configured by EDK to various subtypes based on the port to which the PIM is connected. The SUBTYPEs are DPLB, IPLB, Single, and PLB:

- The DPLB SUBTYPE is chosen when the PIM is connected to a PowerPC 405 processor DPLB1 port using a point-to-point connection.
- The IPLB SUBTYPE is chosen when the PIM is connected to a PowerPC 405 processor IPLB1 port using a point-to-point connection. When this sub type is chosen, the write FIFO logic in the MPMC data path is also disabled (`C_PI<Port_Num>_WR_FIFO_TYPE = DISABLED`).

- The Single SUBTYPE is chosen when the PIM is connected to a PLB bus where all masters are not burst capable. This is primarily selected in MicroBlaze systems where the PIM is connected to a bus with MicroBlaze IPLB and DPLB ports.
- The PLB SUBTYPE is chosen in all other cases. This PLB PIM supports the full set of PLB transactions.

You can find information regarding the PIM SUBTYPES in "[Configuring PLB v4.6 PIM SUBTYPES](#)," page 171.

Supported NPI Transfer Types

Based on the setting of `C_SPLB<Port_Num>_NATIVE_DWIDTH`, the PLB v4.6 PIM can generate only certain types of NPI transfers, as shown in [Table 79](#).

Table 79: Supported Transactions based on PIM Subtype and Native Width

C_SPLB<Port_Num>_NATIVE_DWIDTH=32						C_SPLB<Port_Num>_NATIVE_DWIDTH=64					
Transaction Type		C_PIM<Port_Num>_SUBTYPE				Transaction Type		C_PIM<Port_Num>_SUBTYPE			
		PLB	DPLB	IPLB	Single			PLB	DPLB (1)	IPLB(1)	Single
		Supported						Supported			
Single	Read	Y	N	N	Y	Single	Read	Y	Y	N	Y
	Write	Y	N	N	Y		Write	Y	Y	N	Y
4-wd Cacheline	Read	Y	N	N	N	4-wd Cacheline	Read	Y	N	Y	N
	Write	Y	N	N	N		Write	Y	N	N	N
8-wd Cacheline	Read	Y	N	N	N	8-wd Cacheline	Read	Y	Y	Y	N
	Write	Y	N	N	N		Write	Y	Y	N	N
16-wd Burst	Read	Y	N	N	N	16-wd Burst	Read	N	N	N	N
	Write	Y	N	N	N		Write	N	N	N	N
32-wd Burst	Read	N	N	N	N	32-wd Burst	Read	Y	N	N	N
	Write	N	N	N	N		Write	Y	N	N	N

1. Point-to-point configuration is required for the DPLB and IPLB subtypes where the `C_SPLB<Port_Num>_NATIVE_DWIDTH=64`.

Supported PLB Master and Bus Widths

Table 80 shows the supported PLB master and bus widths. A 32-bit `NATIVE_DWIDTH` PIM can only be used with a PLB bus where all masters and slaves on the bus are 32 bits. The 32-bit `NATIVE_DWIDTH` PIM is intended for Spartan-3 based systems.

Table 80: Supported PLB Master and Bus Widths

C_SPLB<Port_Num>_NATIVE_DWIDTH=64			C_SPLB<Port_Num>_NATIVE_DWIDTH=32		
C_SPLB<Port_Num>_DWIDTH	C_SPLB<Port_Num>_SMALLEST_MASTER	Supported	C_SPLB<Port_Num>_DWIDTH	C_SPLB<Port_Num>_SMALLEST_MASTER	Supported
128	128	Y	128	128	N
128	64	Y	128	64	N
128	32	Y	128	32	N
64	64	Y	64	64	N
64	32	Y	64	32	N
32	32	N	32	32	Y

To reduce the number of cycles between read transactions, the PLB v4.6 PIM can accept PLB read transactions when `SPLB<Port_Num>_PLB_SAVAlid` is asserted. This allows a subsequent MPMC request to be asserted after the current request has been acknowledged.

Configuring PLB v4.6 for Point-To-Point or Shared Bus

The PLB v4.6 PIM can be configured as either a Point-To-Point (P2P) configuration in which there is only one PLB master communication with the PLB v4.6 PIM or a Shared Bus configuration:

- In P2P configuration, the PLB v4.6 PIM responds to all addresses regardless of the `C_PIM<Port_Num>_HIGHADDR` and `C_PIM<Port_Num>_BASEADDR` parameter values. The PLB address is decoded when the PLB v4.6 PIM is operating in a shared bus configuration only.
- In the Shared Bus configuration, the PLB v4.6 PIM can transfer data from up to 16 masters to MPMC. An extra cycle of latency is incurred when the PLB v4.6 PIM operates on a shared bus because PLB signals to the PLB v4.6 PIM are registered to improve timing.

During memory initialization and calibration, the PIM will assert `SPLB<Port_Num>_Sl_Wait` or `SPLB<Port_Num>_Sl_Rearbitrate` to hold off any PLB transactions until the memory is ready to process transactions.

Configuring PLB v4.6 PIM SUBTYPES

You can configure the PLB v4.6 PIM with various SUBTYPEs to optimize it for a set of supported transactions. In most cases the tools will choose the appropriate PLB v4.6 PIM SUBTYPE automatically, based on the connectivity of the system. The PLB v4.6 PIM SUBTYPEs are:

- 64-Bit Burst PIM
 - Single word Read and Write transactions
 - 4-word and 8-word, cacheline Read and Write transactions
 - Fixed length burst transactions
- 32-Bit Burst PIM
 - Single word Read and Write transactions
 - 4-word and 8-word, cacheline Read and Write transactions
 - Fixed length burst transactions
- 64-Bit Single PIM
 - Single word Read and Write transactions (reduced size when burst support is not needed)
 - 32-Bit Single PIM
 - Single word Read and Write transactions (reduced size when burst support is not needed)
 - DPLB
 - Single word Read and Write transactions; and 8-word, cacheline Read and Write transactions
 - IPLB
 - 4-word and 8-word, cacheline Read transactions

Caution! When choosing a SUBTYPE, be sure the SUBTYPE supports all the PLB transaction types that will be issued to the PLBv4.6 PIM. When an unsupported transaction is issued on the PLB bus, it is possible to cause the logic in the PLBv4.6 PIM to hang, which would require a system reset to recover.

Supported Transactions by SUBTYPE

The supported transactions for each of the SUBTYPEs are listed in [Table 81](#).

Table 81: Supported Transactions

	SPLB_PLB_SIZE (0:3)	Description	Read/Write	C_PIM<Port_Num>_SUBTYPE			
				PLB	DPLB	IPLB	Single
SPLB_PLB_SIZE (0:3)	0x0	Single Transactions	Read	Y	Y	N	Y
			Write	Y	Y	N	Y
	0x1	4-wd Cacheline	Read	Y	N	Y	N
			Write	Y	N	Y	N
	0x2	8-wd Cacheline	Read	Y	Y	Y	N
			Write	Y	Y	Y	N
	0x3	16-wd Cacheline	Read	N	N	N	N
			Write	N	N	N	N
	0x4	Reserved	Read	N	N	N	N
			Write	N	N	N	N

Table 81: Supported Transactions (Cont'd)

	SPLB_PLB_SIZE (0:3)	Description	Read/Write	C_PIM<Port_Num>_SUBTYPE			
				PLB	DPLB	IPLB	Single
SPLB_PLB_SIZE (0:3)	0x6	Reserved	Read	N	N	N	N
			Write	N	N	N	N
	0x7	Reserved	Read	N	N	N	N
			Write	N	N	N	N
	0x8	Byte Bursts	Read	N	N	N	N
			Write	N	N	N	N
	0x9	Half Word Bursts	Read	N	N	N	N
			Write	N	N	N	N
	0xA	Word Bursts	Read	Y	N	N	N
			Write	Y	N	N	N
	0xB	Double Word Bursts	Read	Y	N	N	N
			Write	Y	N	N	N
	0xC	Quad Word Bursts	Read	Y	N	N	N
			Write	Y	N	N	N
	0xD	Octal Word Bursts	Read	N	N	N	N
			Write	N	N	N	N
	0xE	Reserved	Read	N	N	N	N
			Write	N	N	N	N
0xF	Reserved	Read	N	N	N	N	
		Write	N	N	N	N	
SPLB_PLB_TYPE (0:2)	000b	Memory Transfer	Read	Y	Y	Y	Y
			Write	Y	Y	Y	Y
	001b-111b	N/A	Read	N	N	N	N
Indeterminate Burst			Read	N	N	N	N
			Write	N	N	N	N
Burst request of 2-16 databeats			Read	Y	N	N	N
			Write	Y	N	N	N
Burst request of > 16 databeats			Read	N	N	N	N
			Write	N	N	N	N

PowerPC 440 Memory Controller PIM

The PowerPC 440 Memory Controller (PPC440MC) PIM connects MPMC directly to the memory interface port of the PowerPC 440 block in Virtex-5 FXT devices.

Note: The `ppc440mc_ddr2` IP core should be used instead of MPMC whenever possible. The `ppc440mc_ddr2` IP core is optimized as a single port DDR2 memory for the PowerPC 440 processor memory interface. The `ppc440mc_ddr2` IP core offers lower latency and higher Fmax than MPMC. MPMC should only be used when SDRAM/DDR memory support or multiple memory ports are needed.

This topic contains the following subsections:

- [PPC440MC Features](#)
- [Supported PPC440MC Interface Configuration](#)
- [PPC440MC Overview](#)
- [PPC440MC Design Implementation](#)
- [PPC440MC Parameter and Port Dependencies](#)
- [PPC440MC Burstwidth and Burstlength by Memory Type/Width Dependencies](#)

PPC440MC Features

- Supports The Virtex-5, V5FXT, memory interface.
- Supports 32-bit and 64-bit NPI interfaces using 32-bit and 64-bit PPC440MC data widths.
- Runs with 1:1 clocking with NPI and MIB.
- Provides parameterized burst sizes of 2, 4, and 8.
- Supports read data latency of 0, 1, and 2 clocks.
- Can operate at a 1:1, 1:2, 1:3, or 1:4 clock ratio with respect to the PowerPC processor crossbar interconnect clock (`CPMINTERCONNECTCLK`)

Supported PPC440MC Interface Configuration

The PPC440MC PIM requires the following configuration settings shown in [Table 82](#) in the `MI_CONTROL` register of the PowerPC 440 Block. It is recommended to set the initial value using the `C_PPC440MC_CONTROL` MHS parameter of the PPC440 instance.

Table 82: Required PPC440 Block MI_CONTROL/C_PPC440MC_CONTROL Register Settings

Bit(s)	Name	Required Value Setting	Description
0	enable	1	Turn on the PPC440MC interface.
1	Rowconflictholdenable	0	PPC440MC PIM does not support row/bank management.
2	Bankconflictholdenable	0	PPC440MC PIM does not support row/bank management.
3	Directionconflictholdenable	0	PPC440MC PIM does not support row/bank management.
4:5	Autoholdduration	00	PPC440MC PIM only supports this autohold mode.
6	2:3 Clock Ratio mode	0	PPC440MC PIM only supports integer clock ratios. It does not support a clock ratio of 2:3 with respect to <code>CPMINTERCONNECTCLK</code> .
7	overlaprddwr	0	Overlapped transfers and QDR mode are not supported.
8:9	Burstwidth	Depends on memory type and width	See Table 83, page 176 for supported values. The range of allowable values depend upon memory type and width.

Table 82: Required PPC440 Block MI_CONTROL/C_PPC440MC_CONTROL Register Settings (Cont'd)

Bit(s)	Name	Required Value Setting	Description
10:11	Burstlength	Depends on memory type and width	See Table 83 for supported values. The range of allowable values depend on memory type and width.
12:15	Write Data Delay (WDD)	0000	PPC440MC PIM supports this WDD mode only.
16	RMW	0	PPC440MC PIM supports this setting only.
17:23	Reserved	0000000	Reserved
24	PLB Priority Enable	0, 1	1 = Default BSB selection. If 0, SPLB ports <code>PLB Mn_Priority</code> is not used for arbitration.
25:27	Reserved	000	Reserved
28	Pipelined Read Enable	0, 1	1 = default BSB selection which allows multiple read commands to be accepted. 0 = multiple read commands are not accepted.
29	Pipelined Write Enable	0, 1	1 = default BSB selection which allows multiple write commands to be accepted. 0 = multiple write commands are not accepted.
30:31	Reserved	11	Reserved

All bits not shown in Table 80, page 170 can normally be set by the users as described in the “Embedded Processor Block in *Virtex-5 FPGA Reference Guide*” (a link to this document is provided in “Reference Documents,” page 234.)

PPC440MC Overview

The PPC440MC PIM is the interface between the NPI and the PowerPC 440 processor memory interface block, as shown in Figure 38.

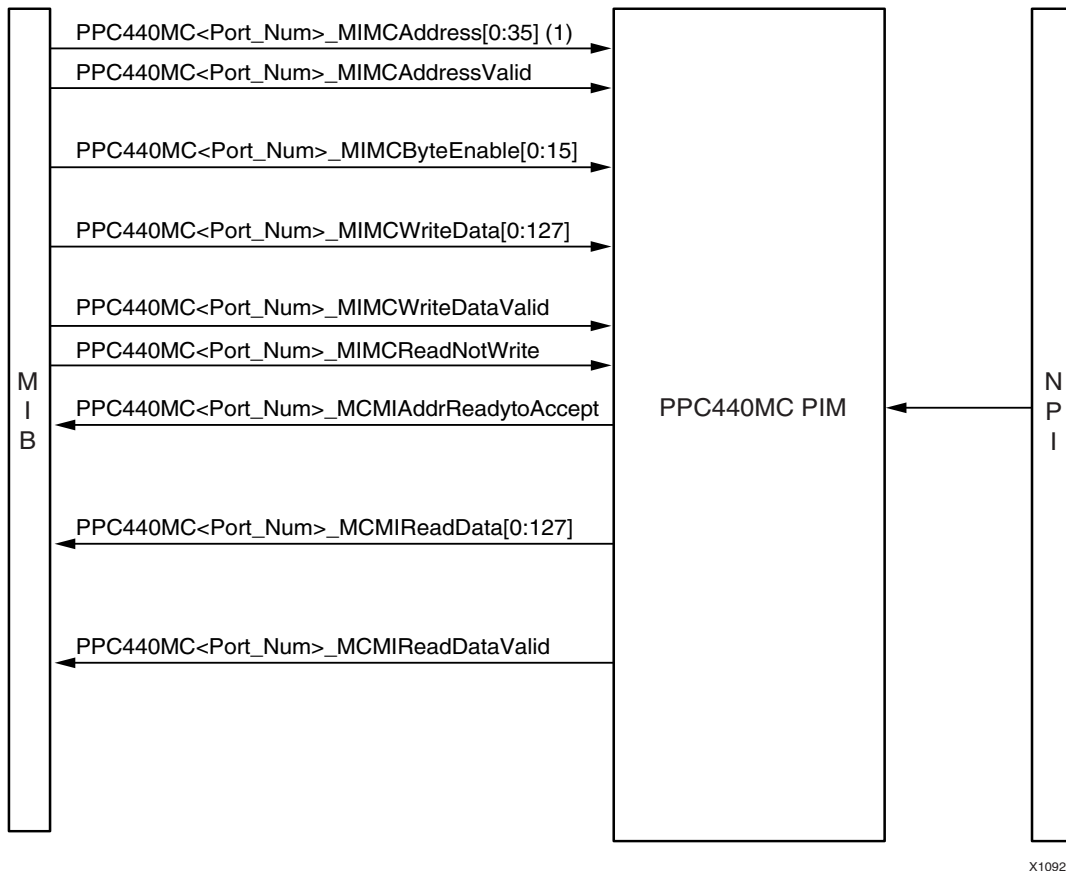


Figure 37: PPC440MC Block Diagram

The functional units within the PPC440MC PIM are:

- **Addr Path** - generates address, address request (MPMC_PIM_AddrReq), readnotwrite, and size (MPMC_PIM_Size) signals. The Addr Path also generates addressreadytoaccept information for PPC440MC.
- **Write Data Path** - generates writedata, writedatavalid (push) and byteenable.
- **Read Data Path** - generates readdata and readdatavalid for PPC440MC. The Read Data Path also generates the RdFIFO_POP and RdModWr.

PPC440MC Design Implementation

The PPC440MC PIM is available in the Virtex-5 FXT family FPGAs only.

PPC440MC Parameter and Port Dependencies

Dependencies exist between the PPC440MC PIM core design parameters and the I/O signals. In addition, when certain features are parameterized out of the design, the related logic will no longer be a part of the design. The unused input signals and related output signals are set to a specified value.

PPC440MC Burstwidth and Burstlength by Memory Type/Width Dependencies

Table 83 shows the required setting for Burstwidth and the allowable settings for Burstlength in relation to memory type and width.

Table 83: Burstwidth and Burstlength by Memory Type and Width

Memory Type	Memory Width	Required Setting for Burstwidth Field of PPC440 MI_Control Register (1)	Allowable Settings for Burstlength Field of PPC440 MI_Control Register
SDRAM	8	32	4, 8
SDRAM	16	32	4, 8
SDRAM	32	32	4, 8
SDRAM	64	64	2, 4, 8
DDR/DDR2	8	32	4, 8
DDR/DDR2	16	32	4, 8
DDR/DDR2	32	64	2, 4, 8
DDR/DDR2	64	64	4, 8

1. The MPMC data path architecture does not support a native 128 bit NPI interface for the PPC440MC PIM; therefore, the maximum data path width between MPMC and the PowerPC 440 block MC interface is limited to 64 bits. This might limit the performance gain seen between 32-bit and 64-bit DDR/DDR2. The `ppc440mc_ddr2` IP core does not have this limitation and supports a full 128-bit data path with a 64-bit DDR2 memory.

Video Frame Buffer Controller PIM

The Video Frame Buffer Controller (VFBC) allows a user IP to read and write data in two dimensional (2D) sets regardless of the size or the organization of external memory transactions. The VFBC can be used in video applications where hardware control of 2D data is needed to achieve real time operation.

Typical video applications are: motion estimation, video scaling, onscreen displays, and video capture used in video surveillance, video conferencing and video broadcast.

The following subsections describe:

- [VFBC Features](#)
- [VFBC Overview](#)
- [VFBC Command Interface](#)
- [VFBC Write Data Interface](#)
- [VFBC Read Data Interface](#)
- [VFBC Transfer Examples](#)
- [VFBC Synthesis Considerations](#)
- [VFBC Timing Constraints](#)

VFBC Features

- 2D data transfers (32,640 bytes x 16,777,216 lines maximum and two 32-bit words minimum.)
- Independent Write and Read transfer operations.
- Asynchronous FIFO command interface.
- Separate asynchronous FIFO Write and Read data interfaces.
- Configurable 32- or 64-bit NPI data width.
- Independently configurable write and read data widths of 8-, 16-, 32-, or 64-bit.
- Configurable FIFO depths.
- Configurable almost full and almost empty flags.
- Independent Write, Read, and command FIFO resets.
- Flushable data FIFOs.

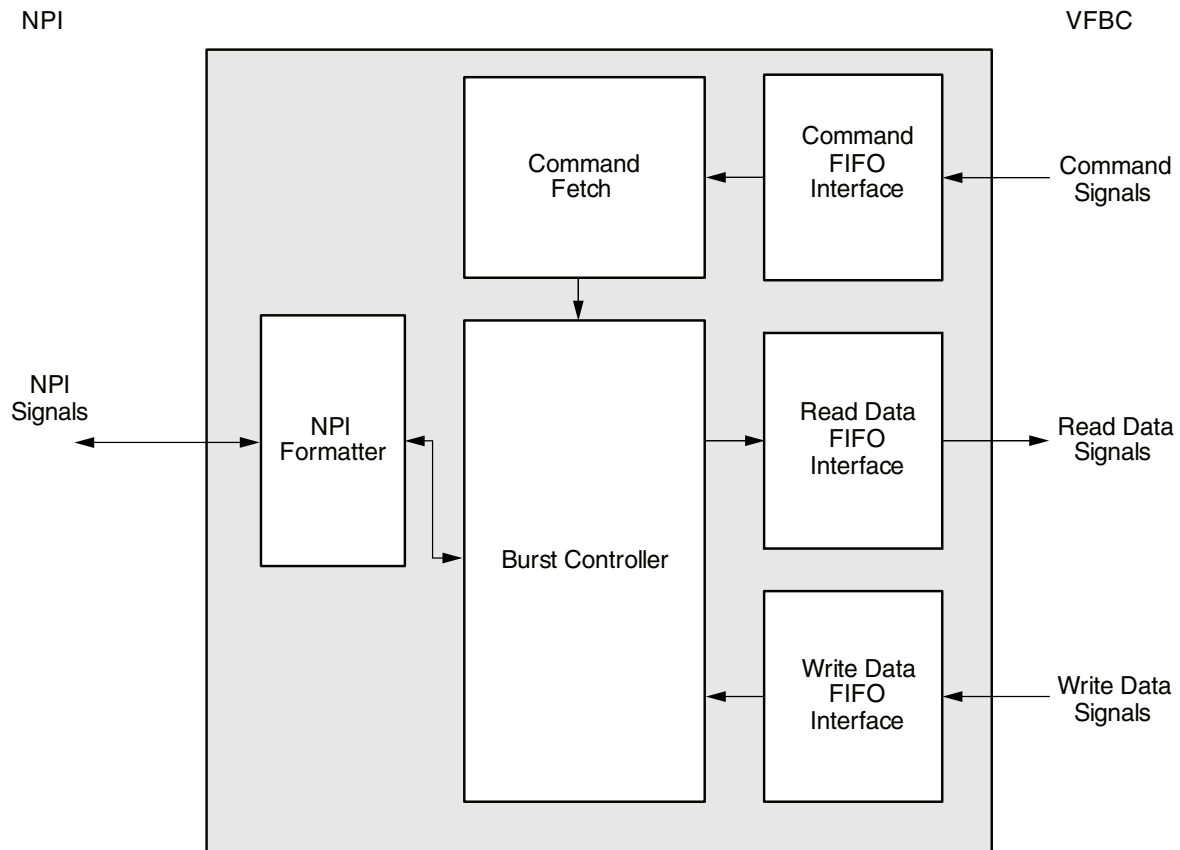
VFBC Overview

The VFBC is a connection layer between video clients and the MPMC. Because video systems are inherently heterogeneous (given the wide variety of video formats and transmission), the VFBC provides key features to address the typical video system.

The VFBC also includes separate asynchronous FIFO interfaces for command input, Write data input, and Read data output. This is useful to decouple the video IP from the memory clock domain.

[Figure 38, page 178](#) shows the VFBC interfaces. The interfaces are discussed in more detail in the following subsections. Refer to "[VFBC PIM I/O Signal,](#)" [page 37](#) for more information on the individual signals for each VFBC interface.

Figure 38 shows a block diagram of the VFBC interface.



X10910

Figure 38: VFBC High-Level Block Diagram

Data transfers to and from the VFBC data FIFOs are controlled by the command interface. Commands are written into the command interface FIFO in 4-word packets. This four word packet controls the direction (Read or Write) and the 2D size of the transfer, and also includes the following information: start address of the 2D transfer, X-size in bytes, Y-size in lines, and the width (Stride) of the video frame.

The VFBC data and address signals are labeled with little-endian bit/byte ordering as illustrated in Figure 7, page 97. The Least Significant Bit (LSB) of a 32-bit word is bit zero.

VFBC Command Interface

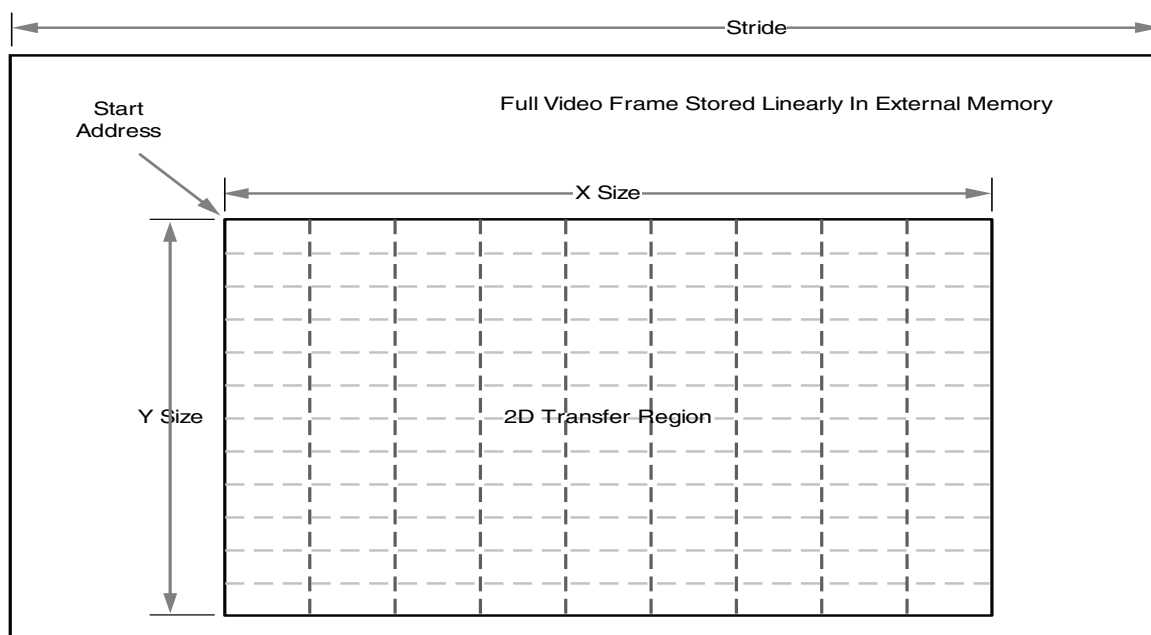
The command interface is implemented as an asynchronous FIFO. Commands are written into the command interface FIFO in 4-word packets. Each command packet word is pushed onto the command FIFO during the clock cycle the `VFBC<Port_Num>_Cmd_Write` signal is active. It is not necessary to Write the command words during consecutive clock cycles; VFBC acts on the commands after the last command word is written. The command packets can be written at the same time as data transfers to the data interface FIFOs. Table 84, page 179 shows the command packet data structure.

Table 84: Command Packet Data Structure

Command Packet							
Command Word 0		Command Word 1		Command Word 2		Command Word 3	
31:15 Reserved	14:0 X Size ⁽¹⁾	31 Write_NotRead	30:0 Start Address ⁽¹⁾	31:24 Reserved	23:0 Y Size	31:24 Reserved	23:0 Stride ⁽¹⁾

1. The X Size, Start Address and Stride must be aligned to a 32-word boundary. These values must be a multiple of 128 bytes and require that bits [6:0] be '0'.

The VFBC divides each 2D transfer into 32-word transfers for the MPMC. The Figure 39 shows a video frame stored linearly in external memory. The frame contains a rectangular region of interest to be transferred by the VFBC.



X10911

Figure 39: 2D Transfers

The first word (Command Word 0, bits 14:0) includes the *X Size* of the transfer, which is the number of consecutive linear bytes of the transaction per line. The second word (Command Word 1, bits 31:0) includes the direction of the transfer and the start address. Bit 31 is, or *Write_NotRead*, denotes a write transaction if high and a read transaction if low. Bits 30:0 are the physical memory byte start address, which is the start address of the transfer.

The third word (Command Word 2, bits 23:0) includes the *Y Size* of the transfer, which is the number of lines of the transfer minus one. Figure 39 shows the *Y Size* as 12 lines. The value set in bits 23:0 of the third word must be 0x0000000b for this transfer.

The fourth word (Command Word 3, bits 23:0) includes the *Stride* of the transfer, which is the number of bytes to skip between the start of each line of the transfer. This is the line length (in bytes) of the 2D storage in external memory.

VFBC Write Data Interface

The Write data interface is an asynchronous FIFO. The FIFO depth, data width, and the almost full flag are configurable. The data width can be configured as 8-, 16-, 32-, or 64-bits. Data is pushed onto the FIFO during the same clock cycle as when the `VFBC<Port_Num>_Wd_Write` signal is active.

- The `VFBC<Port_Num>_Wd_Flush` signal flushes all data currently in the FIFO but keeps the current Write command active in the command FIFO. Asserting the FIFO Flush will return the internal Read/Write FIFO pointers to zero.
- The `VFBC<Port_Num>_Wd_Reset` signal flushes data in the FIFO and also flushes the Write command from the command FIFO.
- The `VFBC<Port_Num>_Wd_End_Burst` signal is used only when the transfer is not a multiple of the burst size. If the transfer ends on a boundary that is not 32-word aligned, this signal must be asserted high during the last word transferred. The following figure shows a typical VFBC Write operation and provides an example of VFBC Write Timing. The actions of the Write data interface are enumerated below in [Figure 40](#).

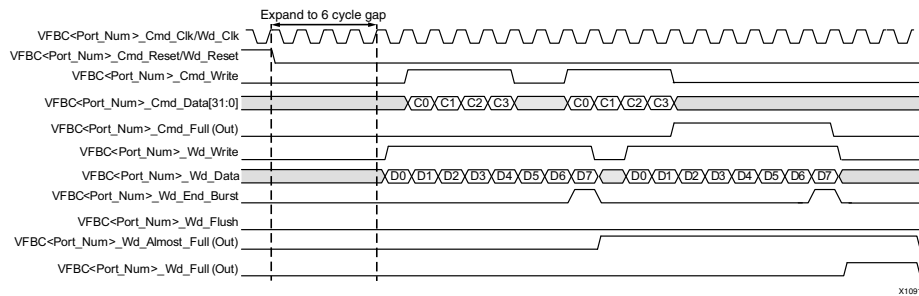


Figure 40: VFBC Write Timing

- Bit 31 in command word C1 must be set to 1 for a write operation.
- As shown in [Figure 40](#), the command words C0, C1, C2, and C3 are being written during a data Write. The command words can be written before, during, or after the data is written.
- [Figure 40](#) also shows one cycle between `VFBC<Port_Num>_Wd_End_Burst` and the next burst, although zero to any number of cycles can exist between burst end and the next burst. The number of cycles between bursts is controlled by the `VFBC<Port_Num>_Wd_Write` signal. This is the FIFO data push signal asserted by the VFBC client.
- If the `VFBC<Port_Num>_Wd_End_Burst` signal is used, it must be asserted during the same cycle as the last valid data Write and can be on D0-D7 cycles.
- The `VFBC<Port_Num>_Wd_End_Burst` signal is optional in this diagram and could be set low always. This signal needs to be used only if the transfer does not end on a 32-word boundary.
- The VFBC can accept a data transfer on every clock cycle where the VFBC Write FIFO is not Full and that the MPMC memory interface throughput can accommodate the data rate of the VFBC client.

Simultaneous Read and Write Transfers

The VFBC PIM allows Read transfers to occur simultaneously with Write transfers by breaking down each Read/Write transfer into smaller 128-byte transfers. These 128-byte transfers are interleaved to the external memory controller switching the transfer type after each transfer (from Read to Write or from Write to Read) if both types are active.

Data can be popped from the Read FIFO during the same clock cycle that data is pushed onto the Write FIFO. Single Read or Write commands do not block as long as the data is transferred. Transfer blocking can occur only if more than one command of the same type (Read or Write) is pushed onto the command FIFO before all the data is transferred.

For example, when two Write commands followed by a Read command are pushed onto the command FIFO, the Read transfer is blocked until the first Write transfer has completed.

To avoid transfer blocking, commands should be pushed onto the command FIFO only upon the completion of the previous command data transfer.

VFBC Read Data Interface

The Read data interface is an asynchronous FIFO with a configurable depth, data width, and almost empty flag. The data width can be configured as 8-, 16-, 32-, or 64-bits.

Data is popped off of the FIFO during the same clock cycle as when the `VFBC<Port_Num>_Rd_Read` signal is active. The `VFBC<Port_Num>_Rd_Flush` signal flushes the data that is in the FIFO but keeps the current read command active in the command FIFO. Asserting the FIFO Flush will return the internal read/write FIFO pointers to zero. The `VFBC<Port_Num>_Rd_Reset` signal is used to flush the data in the FIFO and also flush the read command from the command FIFO. The `VFBC<Port_Num>_Rd_End_Burst` signal is used only when the transfer is not a multiple of the burst size. If the transfer ends on a boundary that is not 32-word aligned, this signal must be asserted high during the last word transferred.

Figure 41 shows a typical Read operation. Notes on the operation are listed after the figure.

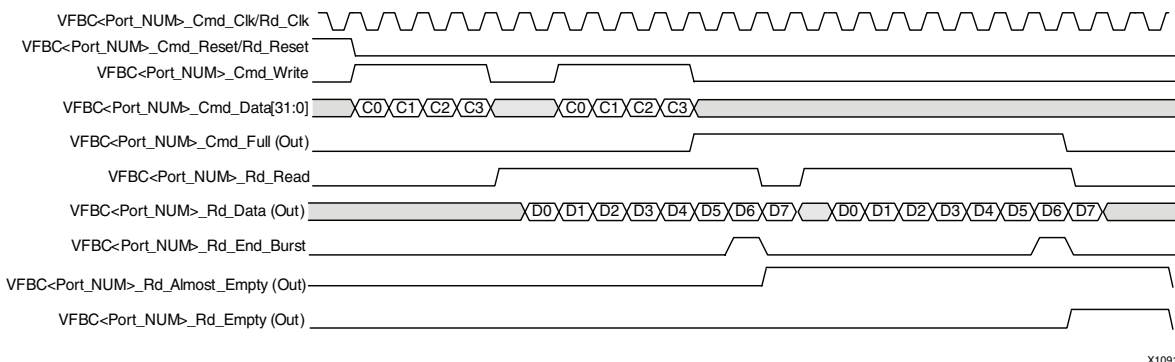


Figure 41: VFBC Read Timing

Notes:

- Bit 31 in Command Word C1 must be set to zero for this to be a Read operation.
- The Command Words C0, C1, C2, and C3 must be Written before the data can be Read from the data FIFO.
- The Command Words can be written during a Read operation for the next Read operation.
- Figure 41 shows one cycle between `VFBC<Port_Num>_Rd_End_Burst` and the next burst; although, zero to any number of cycles can exist between Read transactions.
- If the `VFBC<Port_Num>_Rd_End_Burst` signal is used, it must be asserted during the same cycle as the last valid data Read and can be on D0-D7 cycles.
- The `VFBC<Port_Num>_Rd_End_Burst` signal is optional in this diagram and could be always set low. `VFBC<Port_Num>_Rd_End_Burst` needs to be used only if the transfer does not end on a 32-word boundary.
- The VFBC can accept a data transfer on every clock cycle given that VFBC Read FIFO is not Empty and that the MPMC memory interface throughput can accommodate the data rate of the VFBC client.

VFBC Transfer Examples

This section provides examples of typical video applications, the VFBC setup used to accomplish these applications, and the resultant transfers.

Frame Mode 1080p to VGA Window

Figure 42 is an example of a 1080p @ 60fps video source being written to a frame store in external memory. A VGA@ 60fps display is reading a 640x480 window of the 1920x1080 source video from the frame store.

This application would require two VFBC PIMs, one for writing the 1080p source and one for the VGA display.

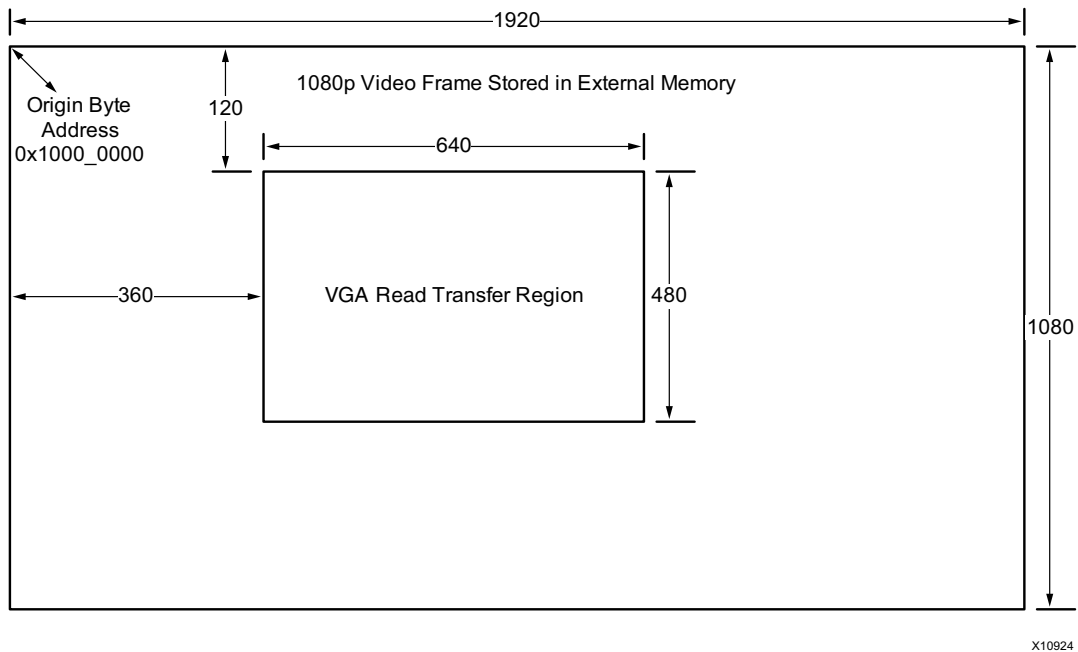


Figure 42: 1080p Frame to VGA Window

In this example:

- The 1080p source video frame is stored at address 0x10000000. Assuming that each pixel is stored at 32-bits-per-pixel resolution, each pixel is then 4 bytes.
- Because the X Size is stored in number of bytes, the X Size is 1920*4 (7680 bytes). This corresponds to the hexadecimal number of 0x1E00.
- In this case the X Size and the Stride (also stored in number of bytes) are the same value, 0x1E00.
- The Y Size is stored as the number of lines minus 1, 1080 – 1 (1079) or the hexadecimal number 0x437.

Table 85 shows the command packet for the 1080p source video. This packet could be written to the VFBC during each source video blank interval, for example:

Table 85: 1080p Source Video Command Packet Data Structure

Command Word 0		Command Word 1		Command Word 2		Command Word 3	
31:15 Reserved	14:0 X Size	31 Write_NotRead	30:0 Start Address	31:24 Reserved	23:0 Y Size	31:24 Reserved	23:0 Stride
0x0000_1E00		0x9000_0000		0x0000_0437		0x0000_1E00	

The VGA display in this example expects to read a 640x480 portion of the 1080p source from the external frame store starting from the 360th pixel on the 120th line. The X Size for the display is 640*4 (2560 bytes). This corresponds to the hexadecimal number 1400. The Stride remains the same as the 1080p source command, 0x1E00 (or 1920*4) because the video is stored as a 1080p frame in external memory. The Y Size is 480 – 1 (479) or the hexadecimal number 0x1DF.

The Start Address for the VGA video display includes the line and pixel offset information and is calculated by adding (120*1920 + 360)*4 to the origin or base address of the 1080p frame store. This is corresponds to a final start address of 0x100E_15A0. Table 86 shows the command packet for the VGA video display hardware.

Note: The Write_NotRead bit in Command Word 1 is now zero to denote a read transfer.

Table 86: VGA Video Display Command Packet Data Structure

Command Word 0		Command Word 1		Command Word 2		Command Word 3	
31:15 Reserved	14:0 X Size	31 Write_NotRead	30:0 Start Address	31:24 Reserved	23:0 Y Size	31:24 Reserved	23:0 Stride
0x0000_A00		0x100E_15A0		0x0000_01DF		0x0000_1E00	

Several video functions can be performed by changing the Start Address within Command Word 1 during each video blank interval. For example, to:

- Cycle through multiple frame stores in external memory
- Perform a pan-scan on a VGA display of a rescaled 16:9 source when combined with video scaler

Line Mode 720p

The following example is of a 720p frame being Read from external memory as individual lines. This example shows one transfer which is repeated for each line in the video. Each 720p video frame includes 720 line transfers. Each transfer has a different Start Address.

In this example, the VFBC command interface and read interface are reset during the beginning of each line during the horizontal blank interval. The resets are performed to mitigate system-level error conditions such a cable being removed, from which user logic protocol violations could cause VFBC hangs or other unexpected behavior. The resets thus bound the duration of unexpected VFBC behavior and are not required during normal operation. The VFBC:MPMC_CLK frequency ratio of this example can be inferred from Figure 43 to be 1:1 or less in order to satisfy the Cmd/Rd_Reset assertion and deassertion requirements.

Following the reset, the read command is written to the VFBC command interface. The VFBC read interface becomes non-empty several cycles following the command and data can be popped off of the read interface FIFO.

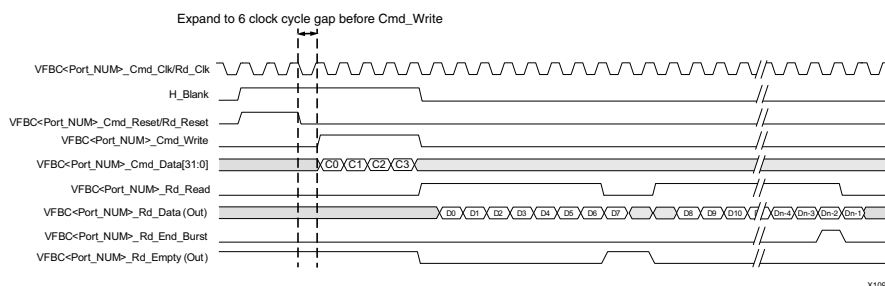


Figure 43: Lin Mode 720p Transfers

Note: The VFBC<Port_Num>_Rd_End_Burst signal is optional but can be asserted high during the last cycle that the VFBC<Port_Num>_Rd_Read is asserted high per line transfer. In this example $n=1280$.

Table 87 shows the command words written to the command interface during the horizontal blank interval for the transfer of the first 720 line.

Table 87: 720p Line Command Packet

Command Word 0		Command Word 1		Command Word 2		Command Word 3	
31:15 Reserved	14:0 X Size	31 Write_NotRead	30:0 Start Address	31:24 Reserved	23:0 Y Size	31:24 Reserved	23:0 Stride
0x0000_1400		0x1000_000		0x0000_000		0x0000_0000	

- The X Size is $1280*4$ bytes.
- The Y Size must be zero (denoting a single line transfer) and the Stride is ignored and can be any value.
- This example shows the Stride set to zero. The next line transfer has a Start Address of 0x1000_1400.
- Each subsequent line transfer Start Address increments by 0x1400 during each horizontal blank interval.

Simple Interlacing and De-interlacing (Field-Jam) Example

You can use the VFBC PIM for simple video processing such as interlacing or de-interlacing. Table 88 shows the VFBC commands to write a 1080i source into a 1080p frame store.

Table 88: 1080i Top Field Command Packet

Command Word 0		Command Word 1		Command Word 2		Command Word 3	
31:15 Reserved	14:0 X Size	31 Write_NotRead	30:0 Start Address	31:24 Reserved	23:0 Y Size	31:24 Reserved	23:0 Stride
0x0000_1E00		0x9000_000		0x0000_21B		0x000_3C00	

In this example:

- The X Size is set to $1920*4$ (1E00).
- The Y size is set to $540-1$ (0x21B) because a 1080i field contains 540 lines.
- There is a different VFBC command for each top and bottom field.
- The data is interlaced into the frame store by configuring the Stride to be two line lengths ($7680*2$, or 0x3C00) and offsetting the bottom field Start Address by $1920*4$ (1E00).

1080p Command Example

The 1080p command is similar to the 1080i command packets, except the Stride is now a single 1080p line, $1920*4$ (1E00), the same as the X Size. The Y Size is set to $1080-1$ (0x437). Table 89 shows the 1080p command packet.

Table 89: 1080p Bottom Field Command Packet

Command Word 0		Command Word 1		Command Word 2		Command Word 3	
31:15 Reserved	14:0 X Size	31 Write_NotRead	30:0 Start Address	31:24 Reserved	23:0 Y Size	31:24 Reserved	23:0 Stride
0x0000_1E00		0x1000_000		0x0000_437		0x0000_1E00	

The Start Address is the same start address as the first line of the 1080i top field (0x1000_0000).

For more information on VFBC transfers, HDL to interface to a VFBC, and example systems using a VFBC and multiple VFBC PIMs, refer to the *Video Starter Kit* on the Xilinx website. "Reference Documents," page 234 contains a link to that site.

VFBC Synthesis Considerations

Table 90 shows the maximum frequency for the VFBC interface clocks, VFBC<Port_Num>_Cmd_Clk, VFBC<Port_Num>_Wd_Clk and VFBC<Port_Num>_Rd_Clk.

Table 90: Maximum VFBC Clock Frequencies by FPGA Family

FPGA Family	Clock Fmax	Notes
Spartan-3A DSP	133 MHz	With FIFO depths of 1024 32-bit words or fewer.
Virtex-4	167 MHz	
Virtex-5	200 Mhz	

The VFBC interface clocks can have a higher or lower frequency than the MPMC_Clk0. Each VFBC interface is asynchronous from the MPMC_Clk0 to support typical video clocks such as 27MHz or 74.25MHz. Higher frequencies than those listed in Table 90 might be achievable but results are dependent on device, utilization, and VFBC configuration.

VFBC Timing Constraints

MPMC provides a Tcl script that generates the timing constraints within a UCF file automatically for the VFBC PIM. For the timing constraints to be set correctly, the clock frequency of MPMC_Clk0 must be specified in the MHS file. The MHS file must have the CLK_FREQ value set for all input clock ports. The following code snippet is an example of an MHS file PORT declaration showing the direction as Input (I) and the CLK_FREQ set:

```
PORT display_clk_pin = display_clk, DIR = I, SIGIS = CLK, CLK_FREQ = 27000000, BUFFER_TYPE = IBUFG
```

If the clock frequency is not set, the automatically generated VFBC timing constraints assumes the frequencies listed in Table 90 for the given device family.

Native Port Interface PIM

This NPI section covers the following topics:

- [NPI PIM Features](#)
- [Connecting a Custom PIM to an NPI PIM](#)
- [NPI Design Restrictions and Recommendations](#)
- [NPI Clock Requirements](#)
- [Configuring the NPI PIM](#)
- [NPI Timing Diagrams](#)

NPI PIM Features

The Native Port Interface (NPI) PIM:

- Allows you to extend the capabilities of MPMC to meet your own design needs.
- Offers a simple interface to memory that can be adapted to nearly any protocol.
- Provides address, data, and control signals to enable read and write requests for memory.
- Allows simultaneous push and pull of data from the port FIFOs.
- Has a configurable data width of 32 or 64 bits.
- When using 32-bit NPI, MPMC supports the following transfer sizes: byte, half-word, word, 4-word cacheline, 8-word cacheline, 16-word bursts, 32-word bursts, and 64-word bursts when using block RAM FIFOs. See "[Restrictions on 64-Word Burst Transfers](#)," [page 189](#) for more information.
- When using 64-bit NPI, MPMC supports the following transfer sizes: byte, half-word, word, double-word, 4-word cacheline, 8-word cacheline, 16-word bursts, 32-word bursts, and 64-word bursts.
- Runs only at a 1:1 clock ratio to the MPMC memory clock (PORT_MPMC_Clk0); a 1:2 clock ratio is *not* supported.

System design parameters are specified in the "[Design Parameters](#)," [page 3](#) and NPI Port signals are listed in "[PIM I/O Signals](#)," [page 30](#), respectively.

It is recommended that you review the "[Using MPMC in Standalone Systems](#)," [page 63](#) before designing a custom PIM. For more information about using the NPI PIM, refer to Answer Record #24912. A link to the Answer Record is located in the "[Reference Documents](#)," [page 234](#).

Connecting a Custom PIM to an NPI PIM

The parameters that will help you connect your custom PIM to the NPI PIM are:

- C_PIM<Port_Num>_DATA_WIDTH is set to either 32 or 64. This parameter specifies the width of PIM<Port_Num>_WrFIFO_Data and PIM<Port_Num>_RdFIFO_Data ports. The NPI data and address signals are labeled with little-endian bit/byte ordering as illustrated in "[Little-Endian Memory Data Types](#)," [page 97](#).
- C_PIM<Port_Num>_BASETYPE must be set to NPI (4).

NPI Design Restrictions and Recommendations

The following design restrictions in the NPI PIM are described the subsequent sections:

- [Restrictions on Byte, Half-Word, Word, and Double-Word Write Transfers](#)
- [Restrictions between PIM<Port_Num>_AddrReq and PIM<Port_Num>_WrFIFO_Push](#)
- [Restrictions on Pipelining of Address Requests](#)
- [Restrictions on Address Alignment](#)
- [Restrictions on SRL FIFOs](#)
- [Restrictions on block RAM \(BRAM\) FIFOs](#)
- [Restrictions on 64-Word Burst Transfers](#)
- [Restrictions using Spartan-6](#)
- [Recommendation for Improving Write Latency](#)

Restrictions on Byte, Half-Word, Word, and Double-Word Write Transfers

The address phase, write data phase, and read data phase are independent unless MPMC is configured with the following settings:

- C_PIM<Port_Num>_DATA_WIDTH is set to 32 and C_MEM_DATA_WIDTH is set to 32 or 64, and using DDR or DDR2 memory.
- C_PIM<Port_Num>_DATA_WIDTH is set to 32 and C_MEM_DATA_WIDTH is set to 64 and using SDRAM memory.
- C_PIM<Port_Num>_DATA_WIDTH is set to 64 and C_MEM_DATA_WIDTH is set to 64, and using DDR or DDR2 memory.
- C_PIM<Port_Num>_DATA_WIDTH is set to 32 and C_MEM_DATA_WIDTH is set to 16 or 32, and using Virtex-6 DDR2 or DDR3 memory.
- C_PIM<Port_Num>_DATA_WIDTH is set to 64 and C_MEM_DATA_WIDTH is set to 32 and using Virtex-6 DDR2 or DDR3 memory.

If one of these cases exists, the following restrictions must be adhered to:

- The PIM<Port_Num>_WrFIFO_Push must occur a minimum of one cycle after the PIM<Port_Num>_AddrAck when requesting either a byte, half-word, word or double-word write transfer.
- Any PIM<Port_Num>_WrFIFO_Push corresponding to previous requests must be asserted before requesting a new byte, half-word, word or double-word write transfer.

Restrictions between PIM<Port_Num>_AddrReq and PIM<Port_Num>_WrFIFO_Push

Due to the definition of PIM<Port_Num>_AddrReq, write data must be pushed into the write FIFOs before it is required by the memory. For safest operation, assert the address request after all data has been pushed into the write FIFOs, as shown in "64-bit NPI Timing Diagrams," page 190. See the "Restrictions on Byte, Half-Word, Word, and Double-Word Write Transfers," page 187 for exceptions.

Restrictions on Pipelining of Address Requests

A FIFO that is controlling the PIM<Port_Num>_RdFIFO_RdWdAddr signal will store up to 4 read address requests only, regardless of transfer size; consequently, an NPI master is not allowed to queue more than 4 read requests without popping the corresponding data out of the Read FIFO.

Restrictions on Address Alignment

NPI transactions must have the `PIM<Port_Num>_Addr` address aligned to the size of the transactions, as specified by `PIM<Port_Num>_Size`. For example, a 32-word burst must have `PIM<Port_Num>_Addr[6:0]` set to 0.

Burst Writes to unaligned addresses can be performed by Writing pad data to `PIM<Port_Num>_WrFIFO_Data` and preventing the corresponding data from being committed by de-asserting `PIM<Port_Num>_WrFIFO_BE`. See "Address Path," page 68 for address alignment requirements.

Restrictions on SRL FIFOs

The user logic must prevent write FIFO overflows for NPI writes, facilitated by the use of the `PIM<Port_Num>_WrFIFO_AlmostFull` signal. MPMC does not prevent Read FIFO overflows when using the SRL FIFOs. The SRL FIFO can hold up to 64 words (64-bit NPI) or 32 words (32-bit NPI). Depending on the burst sizes being used, ensure that the total size of outstanding Read requests does not exceed the capacity of the SRL FIFO. For example, if 32-word bursts and 64-bit NPI are used, do not request more than two transactions with `PIM<Port_Num>_AddrReq` before reading out all 32 words of data from the first transaction.

Restrictions on block RAM (BRAM) FIFOs

The implementation of block RAM FIFOs does not contain a valid `PIM<Port_Num>_WrFIFO_AlmostFull` signal, nor automatic throttling of `PIM<Port_Num>_AddrAck` during Reads. These optimizations were performed to improve the maximum MPMC clock frequency and result in restrictions for both NPI Reads and Writes as follows:

- For Reads, MPMC with block RAM FIFOs does not check how much data is in the Read FIFO before asserting the address acknowledge; consequently, an NPI master is not allowed to queue Read requests that total more than 1024 bytes of data without popping the corresponding data out of the FIFOs. The Read FIFOs will hold up to 1024 bytes of data, corresponding to four 64-word transfers. A further 64-word read request without popping earlier requests will overflow the read FIFO past 1024 bytes of data.
- For Writes, the NPI master is not allowed to queue up more than 1024 bytes of data in the Write FIFOs and the `PIM<Port_Num>_WrFIFO_AlmostFull` signal cannot be used. Consequently, there are options for ensuring the FIFOs will not overflow:

- The first option is to push 1024 or less bytes of data into the Write FIFO, perform all address requests associated with this data, and then wait for the `PIM<Port_Num>_WrFIFO_Empty` to be asserted before pushing more data.
- The second option is to push one transaction of data into the FIFOs, assert the address request on the last data beat of the transfer, and then wait for the address acknowledge before pushing more data into the FIFO. Waiting for the previous address acknowledge before pushing more data into the FIFO prevents overflows. This is due to the maximum size of MPMC requests, the block RAM Write FIFO size, and the address acknowledge behavior which is described in the next option.
- A third, more aggressive operation of the Write FIFO occupancy can be safely performed also. By relying on the current MPMC architecture maximum of two pending transactions for a particular port, a higher Write FIFO occupancy can be obtained. Because only two current transactions can be stored in the address controller, the 3rd assertion of `PIM<Port_Num>_AddrAck` indicates that the data associated with first Write transaction has been completely popped from the Write FIFO. This provides space for new data in the write FIFO that is the size of the first transaction.

Using this method, you can safely estimate the maximum current occupancy of the Write FIFO, and throttle additional Write FIFO pushes safely below the 1024-byte limit.

Restrictions on 64-Word Burst Transfers

When using 32-bit NPI and SRL FIFOs, 64-word burst transfers are not supported because the data path FIFOs might not be deep enough.

If 64-word burst transfers are required with 32-bit NPI, then block RAM FIFOs must be used. All custom 32-bit NPI PIMs should be carefully documented if they require 64-word burst transfers.

[Table 91](#) summarizes the 64-word burst support:

Table 91: 64-word NPI Burst Support

NPI Width	FIFO Support	Support Status
64	BRAM	Yes
64	SRL	Yes
32	BRAM	Yes
32	SRL	No

Restrictions using Spartan-6

The NPI interface with the Spartan-6 MCB is limited to only one outstanding NPI transaction at a time. This is enforced by acknowledging transactions when the data FIFO is empty.

Recommendation for Improving Write Latency

In NPI write burst transactions, the general recommendation is to perform the address request after pushing in all the write data. The Write Data FIFO is not protected against underrun so this is the safest method of operation because it ensures all the data is present in the Write Data FIFO before it is moved out to memory.

If reduced write latency is desired, the user can take advantage of the behavior of the MPMC control logic to know when it is safe to make an earlier address request even though the write data for the transaction has not all been pushed in. The user can analyze the throughput by which data is written into the FIFO and the throughput by which the FIFO is drained out to memory to find a safe time to generate the early address request.

For example:

1. Assume the NPI width is 64 and the memory is a 32-bit DDR device. If the user design pushes in the Write data on every NPI clock cycle, the address request can be generated immediately after the first Write data beat is pushed in. This works because the memory data path cannot drain the FIFO faster than it is filled.
2. Assume the NPI width is 64 and the memory is a 64-bit DDR device. In this case, the memory data path can drain the Write Data FIFO at twice the maximum rate at which it can be filled. If the user design pushes in the Write data on every NPI clock cycle, the address request can be generated after half of the write data is pushed in. This ensures the Write Data FIFO does not underrun.

NPI Clock Requirements

The NPI PIM must run at the same frequency as MPMC. Support for any other frequency must be implemented in the custom PIM.

Configuring the NPI PIM

The NPI PIM is configured through the MPMC interface. Review the "[IP Configuration Graphical User Interface](#)," [page 228](#) for details on how to configure a PIM.

NPI Timing Diagrams

The following timing diagrams illustrate the functionality of the port interfaces. In the actual design signal names are prefixed with `PIM<Port_Num>_`, but in this section this prefix has been omitted for readability. Only a small sampling of possible timing diagrams are shown here. For example:

- 64-word burst transfers are not shown. These are very similar to the 32-word burst transfers, with the exception that there are more data beats.
- 32-bit NPI and 64-bit NPI are very similar. Differences are in the permitted address alignment and the number of data beats required to complete a particular transfer.

64-bit NPI Timing Diagrams

The following 64-bit NPI Timing diagrams are described and illustrated:

- Double-Word Write
- Double-Word Read
- 8-Word, Cacheline Write
- 8-Word, Cacheline Read
- 32-Word, Burst Write
- 32-Word, Burst Read
- 8-Word, Cacheline Write with Almost Full Flag Asserted
- 8-Word, Cacheline Read with Back-to-Back Transfers
- 32-Word, Burst Read with Read FIFO Flush Asserted

Double-Word Write

Figure 44 shows the following:

- A 64-bit NPI.
- A double-word write transfer.
- The address is acknowledged in the same cycle as it is requested.
- The address is on a double-word boundary.
- The RdModWr must be asserted because the value of C_MEM_DATA_WIDTH is unknown.
- There is a Write Transfer Special Case (WrFIFO_Push asserted after AddrAck)

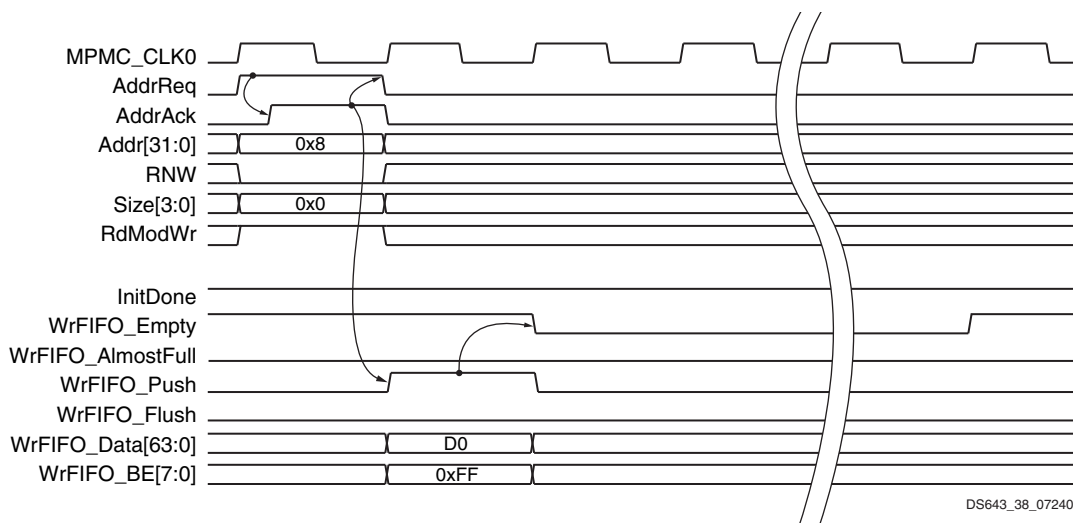
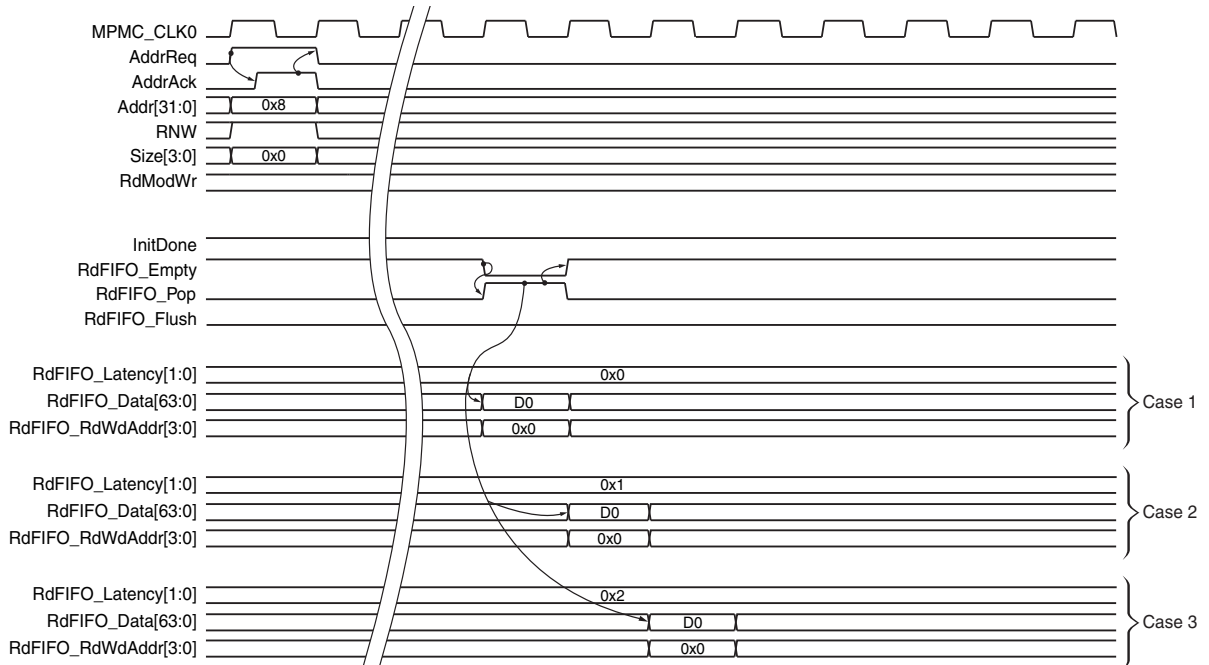


Figure 44: 64-bit NPI Double-word Write

Double-Word Read

Figure 45 shows the following:

- A 64-bit NPI.
- A double-word read transfer.
- The address is acknowledged in the same cycle as it is requested.
- The address is on a double-word boundary.
- There are three cases of possible RdFIFO_Latency values.



DS643_39_072407

Figure 45: 64-bit NPI Double-word Read

8-Word, Cacheline Write

Figure 46 shows the following:

- A 64-bit NPI.
- An 8-word, cacheline write transfer.
- The address is acknowledged in the same cycle as it is requested.
- The address is on an 8-word boundary.
- The RdModWr does not need to be asserted because WrFIFO_BE is 0xFF during WrFIFO_Push, and because the 8-word transfer is larger than maximum value of $4 * C_MEM_DATA_WIDTH$. RdModWr is discussed in "Error Correction Code," page 76.
- Write Transfer Safe Mode (AddrReq asserted on same cycle as last WrFIFO_push.)

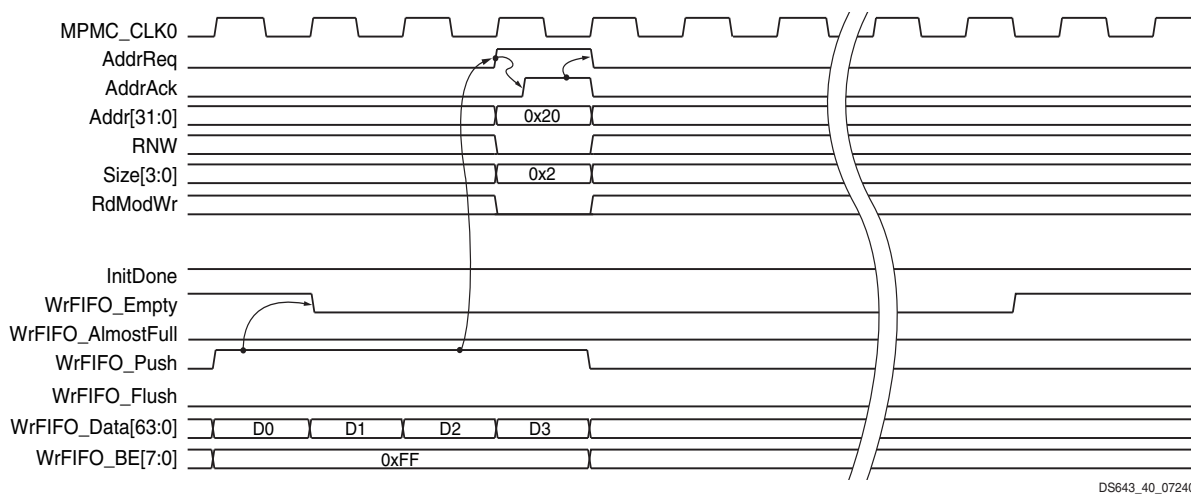


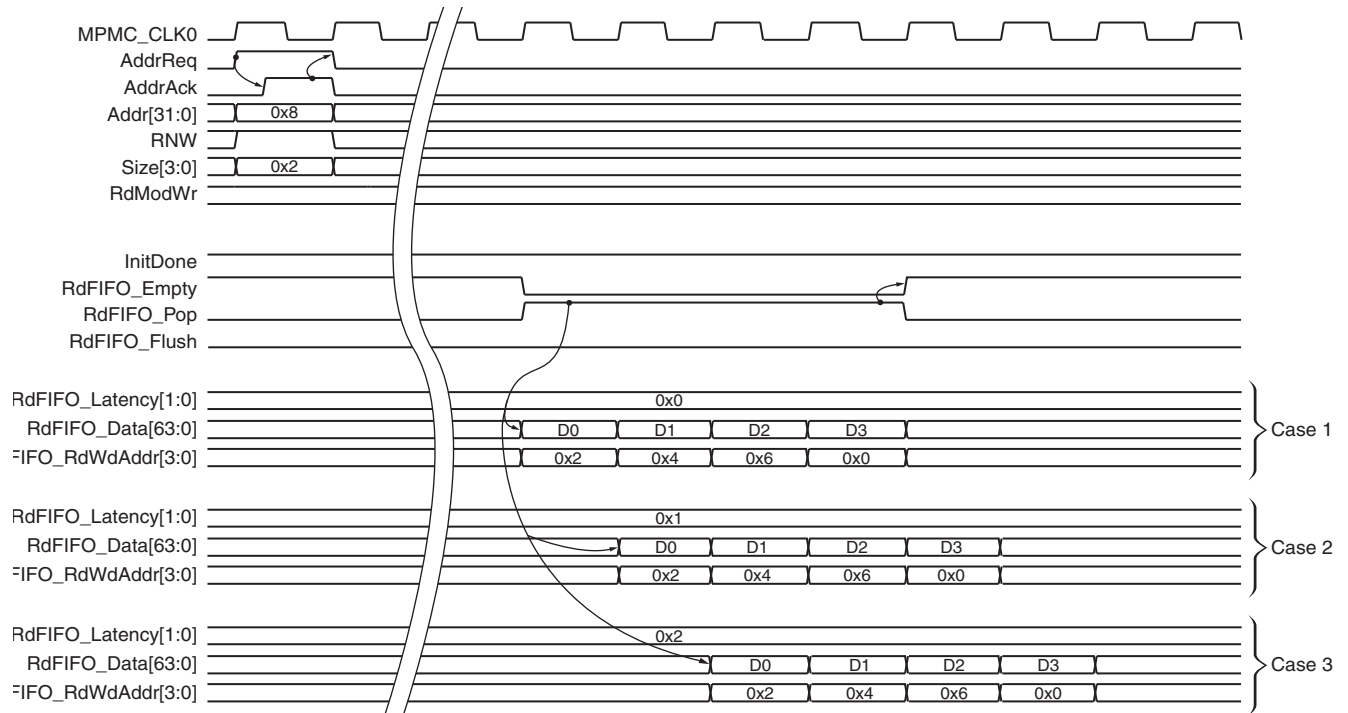
Figure 46: 64-bit NPI 8-word Cacheline Write

DS643_40_072407

8-Word, Cacheline Read

Figure 47 shows the following:

- A 64-bit NPI.
- An 8-word cacheline read transfer.
- The address is acknowledged in the same cycle as it is requested.
- The address is on a double-word boundary.
- The RdFIFO_RdWdAddr indicates that data is returned target-word first.
- There are three cases of possible RdFIFO_Latency values.



X11045

Figure 47: 64-bit NPI 8-word Cacheline Read

32-Word, Burst Write

Figure 48 shows the following:

- A 64-bit NPI.
- A 32-word, burst Write transfer.
- The address is acknowledged in the same cycle as it is requested.
- The address is on a 32-word boundary.
- The $RdModWr$ does not need to be asserted because $WrFIFO_BE$ is $0xFF$ during $WrFIFO_Push$, and because a 32-word transfer is larger than maximum value of $4 * C_MEM_DATA_WIDTH$.
- The Write Transfer Safe Mode is used ($AddrReq$ is asserted on same cycle as the last $WrFIFO_push$).

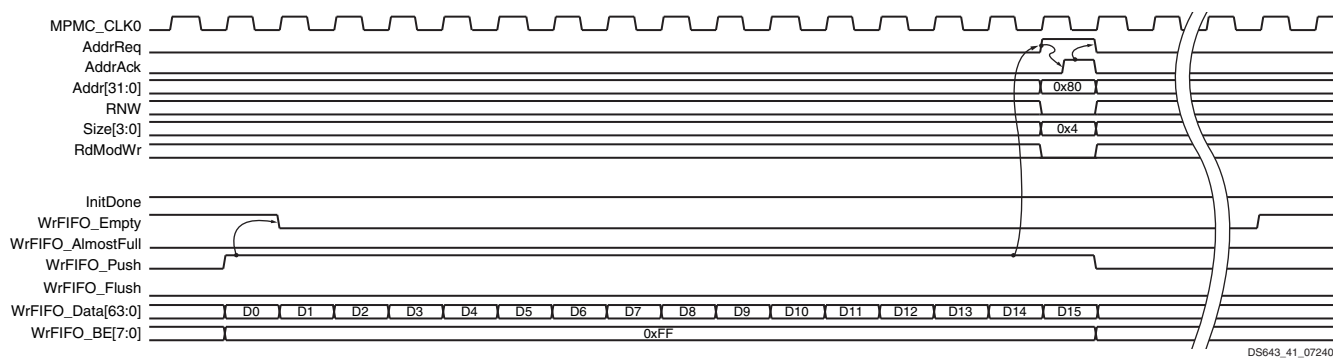


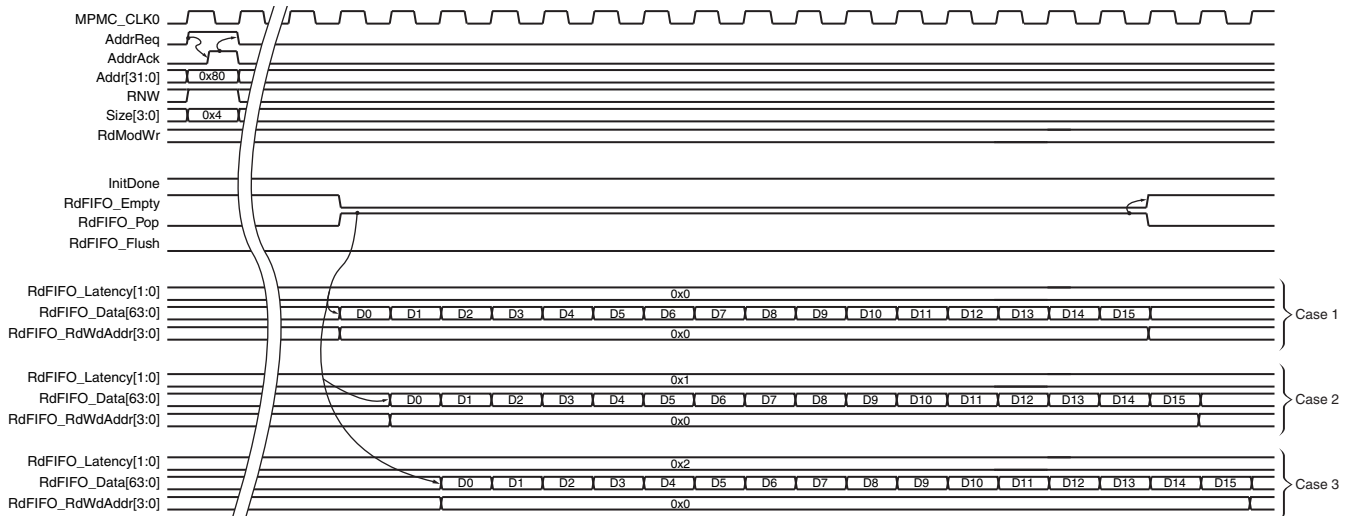
Figure 48: 64-bit NPI 32-word Burst Write

DS643_41_072407

32-Word, Burst Read

Figure 49 shows the following:

- A 64-bit NPI.
- A 32-word, burst Read transfer.
- The address is acknowledged in the same cycle as it is requested.
- The address is on a double-word boundary.
- There are three cases of possible RdFIFO_Latency values.



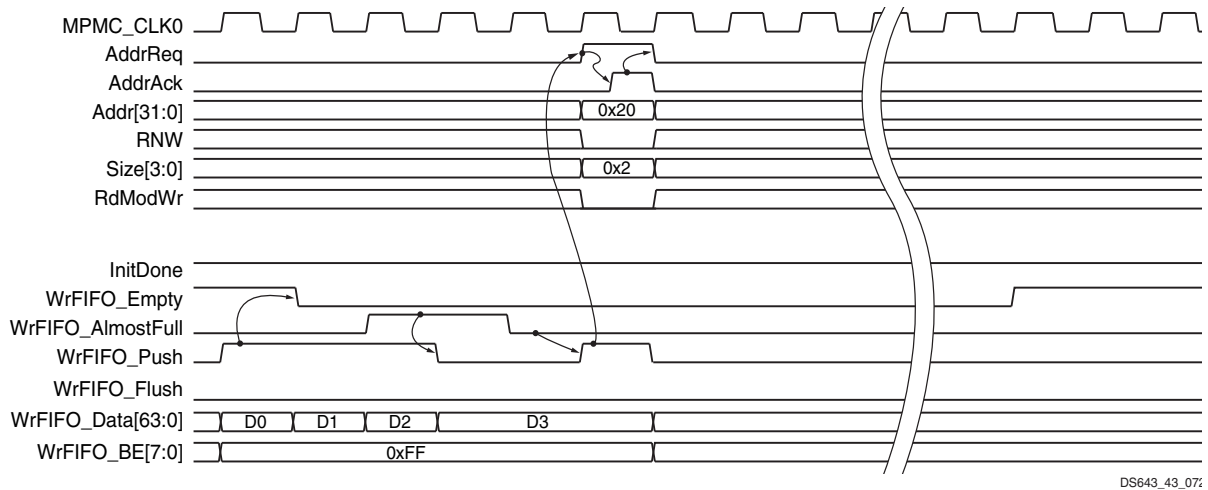
DS643_42_072407

Figure 49: 64-bit NPI 32-word Burst Read

8-Word, Cacheline Write with Almost Full Flag Asserted

Figure 50 shows the following:

- A 64-bit NPI.
- An 8-word, cacheline Write transfer.
- The `WrFIFO_AlmostFull` is asserted on same cycle as the third `WrFIFO_Push`. The fourth `WrFIFO_Push` and `AddrReq` are delayed until after `WrFIFO_AlmostFull` is deasserted.
- The address is acknowledged in the same cycle as it is requested.
- The address is on an 8-word boundary.
- The `RdModWr` does not need to be asserted because `WrFIFO_BE` is `0xFF` during `WrFIFO_Push`, and because an 8-word transfer is larger than maximum value of $4 * C_MEM_DATA_WIDTH$.
- The Write Transfer Safe Mode is used (`AddrReq` is asserted on same cycle as the last `WrFIFO_push`.)



DS643_43_07

Figure 50: 64-bit NPI 8-Word Cache-line Write with Almost Full Flag Asserted

8-Word, Cacheline Read with Back-to-Back Transfers

Figure 51 shows the following:

- A 64-bit NPI.
- There are two back-to-back, 8-word cacheline, Read transfers.
- First address acknowledged same cycle as requested.
- Second address is acknowledged cycle after request.
- There is no gap between address requests.
- The addresses are on double-word boundaries.
- The RdFIFO_RdWdAddr indicates that data is returned target-word first.
- There is a one cycle gap between read data for first request and second request. This could be more or less cycles depending on arbitration and pipeline settings.
- There are three cases of possible RdFIFO_Latency values.

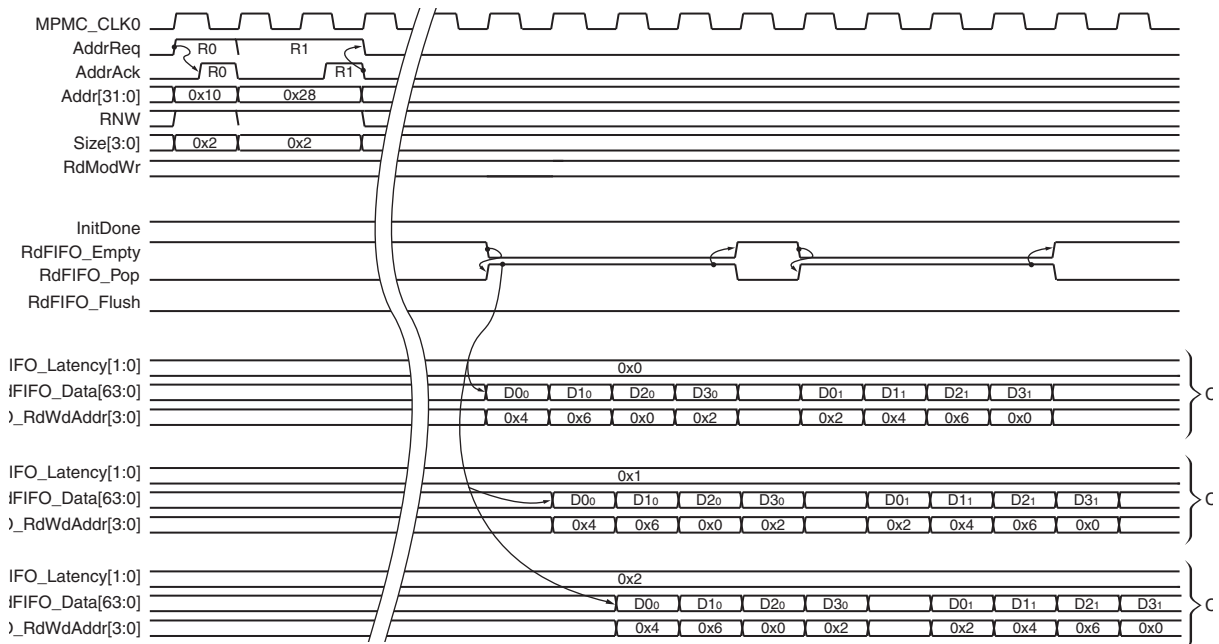
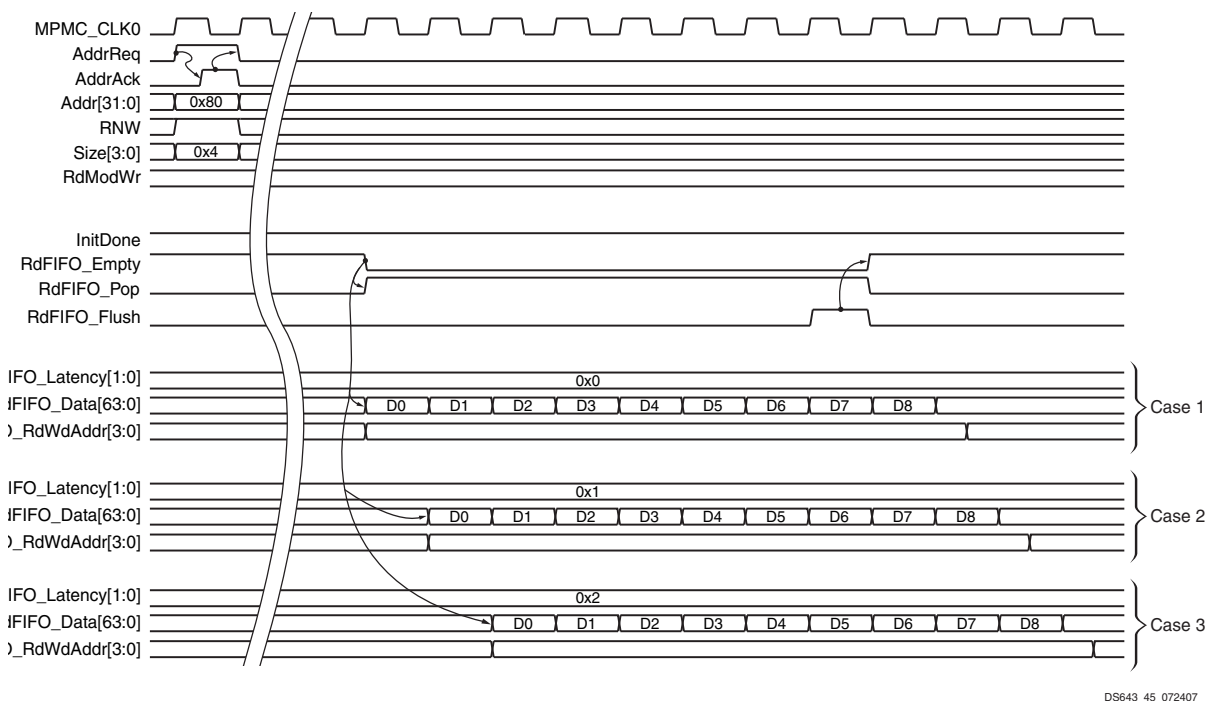


Figure 51: 64-Bit, NPI 8-Word Cacheline Read with Back-to-Back Transfers

32-Word, Burst Read with Read FIFO Flush Asserted

Figure 52 shows the following:

- A 64-bit NPI.
- An 18-word, burst Read transfer (a 32-word burst Read transfer that is terminated by RdFIFO_Flush.)
- The address is acknowledged in the same cycle as it is requested.
- The address is on a 32-word boundary.
- There are three cases of possible RdFIFO_Latency values



DS643_45_072407

Figure 52: 64-Bit NPI 32-word Burst Read with Read FIFO Flush Asserted

32-Bit NPI Timing Diagrams

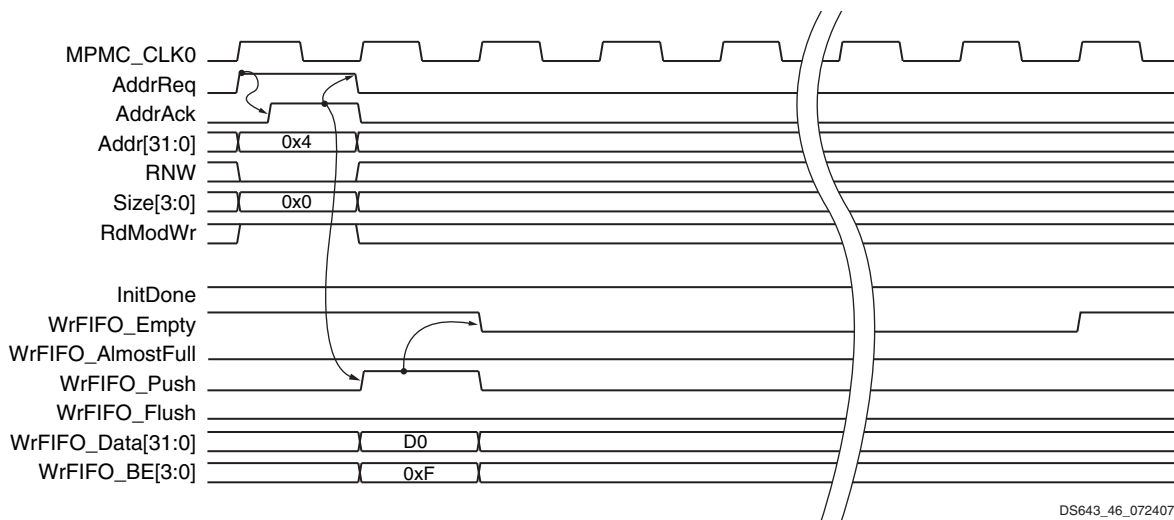
The following 32-bit NPI timing diagrams are illustrated:

- Word Write
- Word Read
- 8-Word, Cacheline Write
- 8-Word, Cacheline Read

Word Write

Figure 53 shows the following:

- A 32-bit NPI.
- A word Write transfer.
- The address is acknowledged in the same cycle as it is requested.
- The address is on a word boundary.
- The RdModWr must be asserted because the value of C_MEM_DATA_WIDTH is unknown.
- The Write Transfer Special Case is used (WrFIFO_Push is asserted after AddrAck.)



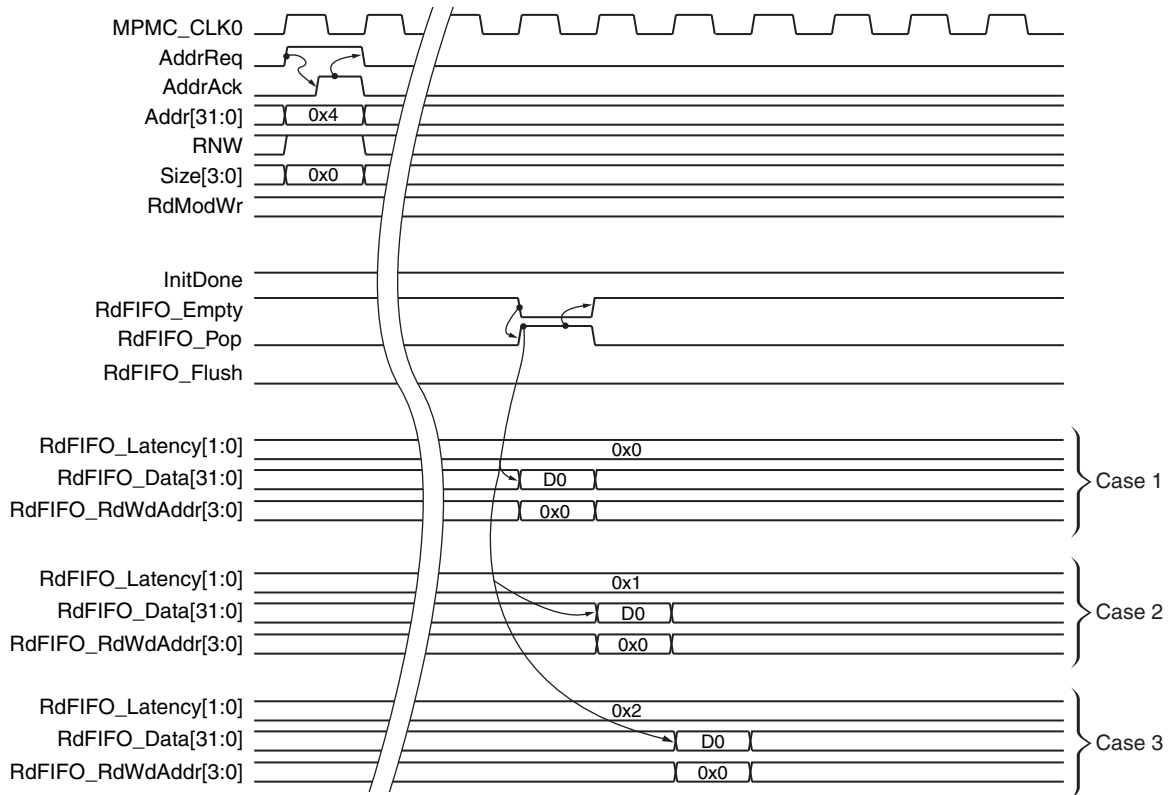
DS643_46_072407

Figure 53: 32-Bit NPI Word Write

Word Read

Figure 54 shows the following:

- A 32-bit NPI.
- A word Read transfer.
- The address acknowledged same cycle as requested.
- The address is on a word boundary.
- There are three cases of possible RdFIFO_Latency values.



DS643_47_072407

Figure 54: 32-Bit NPI Word Read

8-Word, Cacheline Write

Figure 55 shows the following:

- A 32-bit NPI.
- An 8-word, cacheline Write transfer.
- The address is acknowledged in the same cycle as it is requested.
- The address is on an 8-word boundary.
- The RdModWr does not need to be asserted because WrFIFO_BE is 0xF during WrFIFO_Push, and because the 8-word transfer is larger than the maximum value of $4 * C_MEM_DATA_WIDTH$.
- The Write Transfer Safe Mode is use (AddrReq is asserted on the same cycle as the last WrFIFO_push).

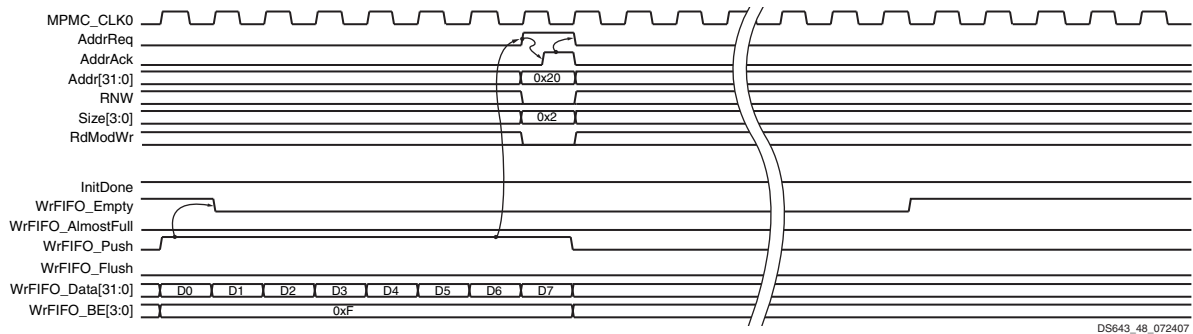


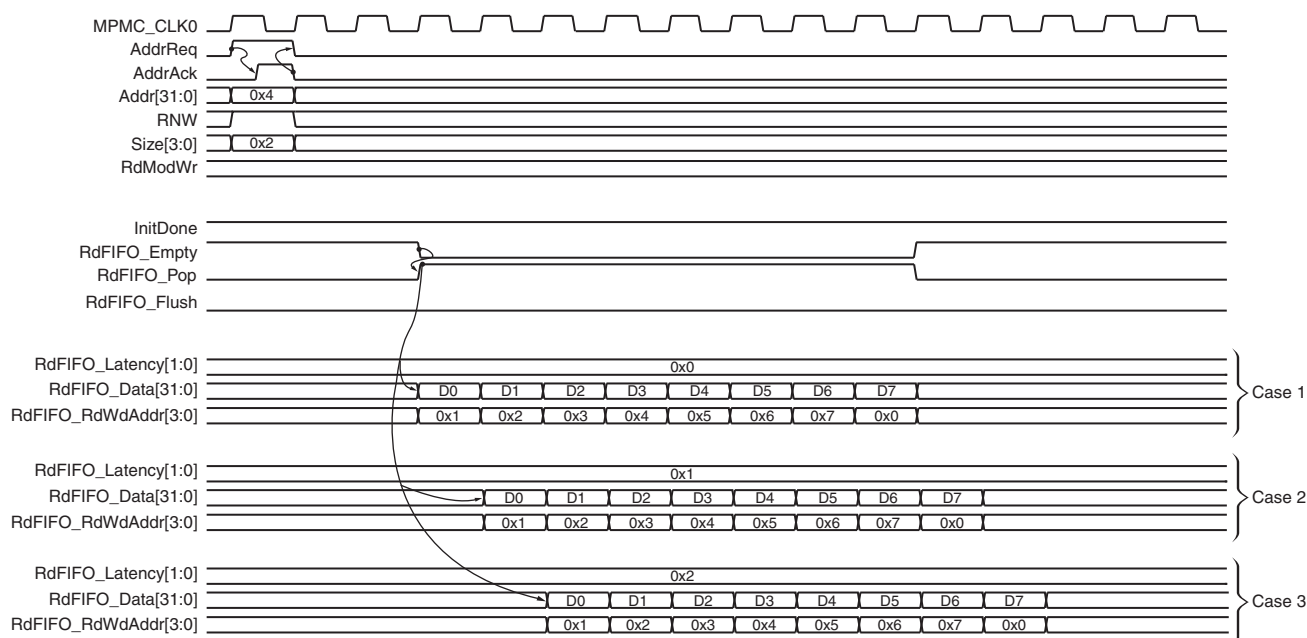
Figure 55: 32-Bit NPI 8-word Cacheline Write

DS643_48_072407

8-Word, Cacheline Read

Figure 56 shows the following:

- A 32-bit NPI.
- An 8-word cacheline Read transfer.
- The address is acknowledged in the same cycle as it is requested.
- The address is on a word boundary.
- The RdFIFO_RdWdAddr indicates that data is returned target-word first.
- RdFIFO_Latency values.



X11007

Figure 56: 32-Bit NPI 8-word Cacheline Read

MCB PIM

The MCB PIM permits direct connection to the MCB user ports. The MCB configuration (data width and direction) is defined by the C_PORT_CONFIG parameter.

For information about the MCB port protocol and configuration, see the ["Spartan-6 Hard Memory Controller Architecture," page 125](#) and the [Spartan-6 Memory Controller User Guide](#). ["Reference Documents," page 234](#) contains a link to this document.

Performance, Timing, and Resource Utilization

The following subsections describe:

- [MPMC Operational Frequencies](#)
- [MPMC Optimization](#)
- [MPMC Latency and Throughput](#)
- [Resource Utilization](#)

MPMC Operational Frequencies

This subsection contains:

- [Operating Frequency Range by Device](#)
- [MIG PHY Supported Fmax](#)

Operating Frequency Range by Device

[Table 92](#) lists the target operating frequency range for MPMC for a variety of FPGA device families and speed grades. These values provide guideline `MPMC_C1k0` frequencies for MPMC. Generally:

- The XCL, PLB, and SDMA PIMs can run 1:1 or 1:2 clock ratio to `MPMC_C1k0`.
- A 1:1 clock ratio is most common for SDRAM and Spartan-6 designs.
- A 1:2 clock ratio is most common with DDR/DDR2/DDR3 designs on Spartan-3, Virtex-4, Virtex-5, and Virtex-6.

Table 92: Target Operating Frequency Ranges by FPGA Family

FPGA Family	Target Fmax Range (MHz)
Spartan-3 Generation, -4 Speed Grade	125-133
Spartan-3 Generation, -5 Speed Grade	133-166
Virtex-4, -10 Speed Grade	165-185
Virtex-4, -11 Speed Grade	185-205
Virtex-4, -12 Speed Grade	200-225
Virtex-5, -1 Speed Grade	175-200
Virtex-5, -2 Speed Grade	185-220
Virtex-5, -3 Speed Grade	210-250
Virtex-6 -1 Speed Grade	175-200
Spartan-6 -2 Speed Grade	80-90

The values shown in [Table 92](#) are based on the following condition assumptions (unless noted:)

- Default parameters settings for MPMC
- 1:2 PIM to `MPMC_C1k0` clock ratios
- No use of floorplanning
- Default implementation tool options

Note: The target Fmax is influenced by the exact system and is provided for guidance. It is not a guaranteed value across all systems. The Fmax timing for the MPMC Performance Monitors has not been characterized and could be significantly lower. The Fmax timing for SDRAM has not been characterized and is likely to be limited by the physical system.

MIG PHY Supported Fmax

The Spartan-3, and Virtex-4, and Virtex-5 MIG PHYs also have maximum supported frequencies that should not be exceeded even if the MPMC is capable of meeting timing at higher clock frequencies.

Spartan-(3/3A/3AN/3E/3ADSP) devices can have data width limitations depending on part and package size. Verify data width compatibility through the MIG GUI or through the "Supported Devices" section of the device-specific, *Memory Interface Solutions User Guide*, in Section Three "Spartan- (3/3A/3AN/3E/3ADSP) FPGA to Memory Interfaces." The "[Reference Documents](#)," [page 234](#) contains a link to this resource.

[Table 93](#) summarizes the maximum supported frequencies of the MIG PHYs used in MPMC and also provides the Application Note name that describes the MIG algorithm used in the specified FPGA device family.

Table 93: MIG PHY Maximum Supported Frequencies by FPGA Family

FPGA Family	Speed Grade	Memory Type	Maximum Supported PHY Memory Clock Frequency	Doc with MIG Algorithm	Notes
Spartan-3	-4	DDR/DDR2	133 MHz	XAPP454/768c	
Spartan-3	-5	DDR/DDR2 (Component)	166 MHz	XAPP454/768c	166 MHz limited to 8/16/32 bit designs on left or right sides of the parts.
Spartan-3	-5	DDR/DDR2 (DIMM)	133 MHz	XAPP454/768c	
Virtex-4	-10	DDR	175 MHz	XAPP701/702	MPMC uses Direct Clocking algorithm for both DDR and DDR2 on Virtex-4.
Virtex-4	-11	DDR	180 MHz	XAPP701/702	
Virtex-4	-12	DDR	185 MHz	XAPP701/702	
Virtex-4	-10	DDR2	220 MHz	XAPP701/702	
Virtex-4	-11	DDR2	230 MHz	XAPP701/702	
Virtex-4	-12	DDR2	240 MHz	XAPP701/702	
Virtex-5	-1	DDR2	266 MHz	XAPP858	
Virtex-5	-2	DDR2	300 MHz	XAPP858	
Virtex-5	-3	DDR2	333 MHz	XAPP858	
Virtex-5	-1	DDR	200 MHz	XAPP851	
Virtex-5	-2	DDR	200 MHz	XAPP851	
Virtex-5	-3	DDR	200 MHz	XAPP851	
Virtex-6 LXT	-1L	DDR2	300 MHz	UG406	Virtex-6 maximum supported memory clock frequency is subject to change and can depend on additional factors. Consult MIG or MCB documentation for the latest information.
Virtex-6 LXT	-1, -2, -3	DDR2	400 MHz	UG406	Virtex-6 maximum supported memory clock frequency is subject to change and can depend on additional factors. Consult MIG or MCB documentation for the latest information.

Table 93: MIG PHY Maximum Supported Frequencies by FPGA Family (Cont'd)

FPGA Family	Speed Grade	Memory Type	Maximum Supported PHY Memory Clock Frequency	Doc with MIG Algorithm	Notes
Virtex-6 LXT	-1L	DDR3	303 MHz	UG406	Virtex-6 maximum supported memory clock frequency is subject to change and can depend on additional factors. Consult MIG or MCB documentation for the latest information.
Virtex-6 LXT	-1	DDR3	400 MHz	UG406	Virtex-6 maximum supported memory clock frequency is subject to change and can depend on additional factors. Consult MIG or MCB documentation for the latest information.
Virtex-6 LXT	-2	DDR3	533 MHz	UG406	Virtex-6 maximum supported memory clock frequency is subject to change and can depend on additional factors. Consult MIG or MCB documentation for the latest information.
Virtex-6 LXT	-3	DDR3	533 MHz	UG406	Virtex-6 maximum supported memory clock frequency is subject to change and can depend on additional factors. Consult MIG or MCB documentation for the latest information.
Spartan-6	-1L, -2, -3, -4	DDR	200 MHz	UG388	Spartan-6 maximum supported memory clock frequency is subject to change and can depend on additional factors. Consult MIG or MCB documentation for the latest information.
Spartan-6	-1L, -2, -3, -4	LPDDR	200 MHz	UG388	Spartan-6 maximum supported memory clock frequency is subject to change and can depend on additional factors. Consult MIG or MCB documentation for the latest information.
Spartan-6	-1L	DDR2	200 MHz	UG388	Spartan-6 maximum supported memory clock frequency is subject to change and can depend on additional factors. Consult MIG or MCB documentation for the latest information.
Spartan-6	-2	DDR2	312.5 MHz (STANDARD) 333 MHz (EXTENDED)	UG388	Spartan-6 maximum supported memory clock frequency is subject to change and can depend on additional factors. Consult MIG or MCB documentation for the latest information.

Table 93: MIG PHY Maximum Supported Frequencies by FPGA Family (Cont'd)

FPGA Family	Speed Grade	Memory Type	Maximum Supported PHY Memory Clock Frequency	Doc with MIG Algorithm	Notes
Spartan-6	-2	DDR3	312.5 MHz (STANDARD) 333 MHz (EXTENDED) ¹	UG388	Spartan-6 maximum supported memory clock frequency is subject to change and can depend on additional factors. Consult MIG or MCB documentation for the latest information.
Spartan-6	-3, -4	DDR2/DDR3	333 MHz (STANDARD) 400 MHz (EXTENDED) ¹	UG388	Spartan-6 maximum supported memory clock frequency is subject to change and can depend on additional factors. Consult MIG or MCB documentation for the latest information.

1. Production grade Spartan-6 devices using DDR3 can be operated in EXTENDED mode for the full VCCint voltage range. For DDR2, EXTENDED mode requires improved regulation for VCCint voltage.

MPMC Optimization

This section provides information about optimizing and tuning MPMC timing, performance, and size. It is recommended that you begin with creating a stable working MPMC system using default parameters settings and system configurations when possible. For example, start with an MPMC system created by the BSB tool in XPS. After establishing a working system, the following information can be used to fine tune the MPMC and experiment with different settings.

MPMC Performance Optimization

The following list identifies possible ways to improve MPMC performance:

- Increase clock frequency as much as possible. Higher clock frequency increases throughput and can lower latency. It is useful to have the flexibility in the board to set the clock frequency to match the Fmax of the MPMC. For example, if a system has a fixed 100 MHz oscillator, the memory might have to run at 100 or 200 MHz. If the Fmax of the MPMC is 145 MHz, having the ability to install a 145 MHz oscillator is ideal for maximizing MPMC performance.
- Latency can be reduced by disabling pipeline stages. Disabling pipeline stages has the trade-off that it might degrade timing. In some cases you could be running at a memory clock frequency well below the Fmax of the MPMC in which case disabling pipelines would not cause timing failures. It is recommended that you first get your system working in the default case where all pipeline stages are on and then experiment with disabling as many pipeline stages as possible while timing is still met. For example, the following parameters can be used to reduce latency in the MPMC core:

```
PARAMETER C_WR_DATAPATH_TML_PIPELINE = 0
PARAMETER C_ARB_PIPELINE = 0
PARAMETER C_PI<Port_Num>_ADDRACK_PIPELINE = 0
PARAMETER C_PI<Port_Num>_RD_FIFO_MEM_PIPELINE = 0
PARAMETER C_PI<Port_Num>_RD_FIFO_APP_PIPELINE = 0
PARAMETER C_PI<Port_Num>_WR_FIFO_MEM_PIPELINE = 0
PARAMETER C_PI<Port_Num>_WR_FIFO_APP_PIPELINE = 0
```

Note: Some FIFO pipeline parameters must be the same value across all ports. See ["Memory and Memory Part Parameters," page 11](#) for more information

Additionally, some PIMs have optional pipeline stages that can be disabled:

XCL

```
PARAMETER C_XCL<Port_Num>_PIPE_STAGES = 0
PARAMETER C_XCL<Port_Num>_B_PIPE_STAGES = 0
```

MIB/PPC440MC

```
PARAMETER C_PPC440MC<Port_Num>_PIPE_STAGES = 0
```

- Choosing memory with a lower CAS latency at the target operating clock frequency will reduce latency.
- Experiment with CUSTOM arbitration. By changing the arbitration priorities to favor critical ports, higher throughput and potentially lower latency can be achieved for the critical ports. This is especially the case in a heavily loaded system with many active ports.
- Use custom logic connected to an NPI interface rather than the using the PLB interface. The raw NPI interface offers better direct performance to the memory controller. However, attaching custom logic to the NPI interface might require more design and verification effort. When using NPI, larger bursts sizes offer higher throughput and memory utilization than smaller burst sizes.
- In designs where the PowerPC 405 IPLB1 and DPLB1 ports are connected point-to-point to two separate MPMC ports, these two PLB ports could be run 1:1 clock ratio to the memory clock. By running 1:1 instead of 1:2 clock ratio, the throughput and latency can be improved by the higher interface clock rate. The MPMC PLB PIM instantiates specially optimized logic automatically when it is directly connected point-to-point to a PowerPC 405 processor IPLB1 or DPLB1 port. This optimized logic can operate at a higher clock frequency than a normal PLB bus-based connection.
- In Virtex-5 FXT designs using the PPC440MC interface, the `ppc440mc_ddr2` IP core should be used instead of MPMC whenever possible. The `ppc440mc_ddr2` IP core is optimized as a single port DDR2 memory for the PowerPC 440 memory interface. The `ppc440mc_ddr2` IP core offers row/bank management, lower latency, and higher Fmax than MPMC. MPMC should only be used when SDRAM/DDR memory support or multiple memory ports are needed. The performance advantage of `ppc440mc_ddr2` is especially high with 64-bit DDR2 memories. In this case `ppc440mc_ddr2` offers a native 128 bit data path connection to the PowerPC440 block whereas the MPMC with PPC440MC PIM offers a maximum 64-bit data path to the PowerPC440 block.
- In Virtex-5 FX designs using the PPC440MC interface with MPMC, the performance of DMA or burst based transactions is better with a larger burst length setting (Parameter `C_PPC440MC<Port_Num>_BURST_LENGTH`).
- The MPMC PLB v4.6 PIM translates non-cache burst transfers into NPI transactions of 16 word bursts (`C_SPLB<Port_Num>_NATIVE_DWIDTH = 32`) or 32 word bursts (`C_SPLB<Port_Num>_NATIVE_DWIDTH = 64`). Non-cache PLB burst performance is maximized when the start address and burst length are aligned to the corresponding NPI transactions. Shorter length PLB burst transfers or transfers that cross NPI transaction boundaries could result in extra memory cycles where data is masked off or discarded. For example, if a DMA engine is connected to the PLB port of MPMC, allocating the memory space of the DMA engine in the software application to align to NPI transaction boundaries enables more efficient data transfers and improves system performance.

MPMC Size Optimization

The following list identifies possible ways to reduce MPMC size:

- Reducing the number of ports has the biggest effect on reducing core size. For example instead of two separate PLB ports to connect two PLB masters to MPMC, the two PLB masters can be connected to a PLB bus arbiter and attached to a single MPMC port. This will likely reduce system size, but might affect performance.
- Reducing down to a single port MPMC further decreases size because data path switching logic can be removed and the arbitration logic can be fully removed for added logic savings. Therefore the MPMC size reduction is greater from two ports to one port than from three ports to two ports.
- Match PHY SDR data path width to NPI data width. The SDR data path width of the PHY is 1x the memory width for SDRAM and 2x the memory width for DDR/DDR2. The NPI width of some PIMs can be selected between 32 and 64 bits. Designing the system so that the PIM NPI width and the PHY SDR data path widths match will optimize the flow of data and reduce logic utilization.

For example, if a system has a 16-bit DDR and uses PLB PIMs, the PLB PIM should be configured to have an NPI width of 32 bits to minimize MPMC size (Parameter `C_SPLB<Port_Num>_NATIVE_DWIDTH = 32`). If the default NPI width of 64 bits is used instead, wider data path FIFOs and data path switches will be generated causing more logic to be used.

VFBC, NPI, and PLB v4.6 PIMs all have user configurable NPI data widths. The SDMA PIM is fixed to a 64-bit NPI data width and the XCL PIM is fixed to a 32-bit NPI width. Refer to the "[Personality Interface Module \(PIM\) Parameters](#)," page 21 for more information.

In PowerPC 405 processor systems, the IPLB0 and DPLB0 ports can be combined using a PLB arbiter to connect to a single MPMC port (see "[Standard PowerPC 405 Processor CoreConnect Use Case](#)," page 60 for an example.)

This will reduce MPMC size compared to a two port MPMC with separate PLB PIMs connected to IPLB1 and DPLB1 with system performance as the trade-off.

- In MicroBlaze systems, cached memory access travels over IXCL and DXCL ports to two separate MPMC XCL ports. By default, uncached access to memory travels over the PLB port to a third MPMC PLB port. This approach uses three MPMC ports per MicroBlaze. To save logic resources, the MicroBlaze could be configured with parameter `C_ICACHE_ALWAYS_USED = 1` and `C_DCACHE_ALWAYS_USED = 1` so that uncached memory access flows over the XCL ports. This allows the third MPMC port to be removed to reduce system size.
- The MicroBlaze IXCL and DXCL ports can be connected to a dual XCL PIM which uses only one MPMC port for two XCL connections. Using the dual XCL PIM significantly reduces MPMC size.
- Using a fixed priority arbiter (Parameter `C_ARB0_ALGO = FIXED`) will save some logic over a round robin arbiter and is a significant savings over a custom arbitration setting.
- Using STATIC PHY over MIG PHY also reduces logic utilization because the static PHY is more simple in structure; however, the static PHY is also less robust than the MIG PHY and is therefore *not* recommended. See "[Configurable Physical Interface](#)," page 94 for more information.
- Disabling optional pipeline stages in MPMC reduces flip-flop utilization but also degrades timing.
- Minimize the number of ports or set ports to be read-only or write-only when possible.

Note: Ports with `C_PIM<Port_Num>_SUBTYPE` set to "IXCL" and "IPLB" are automatically configured to be read-only.

Timing Optimization

The following list identifies possible ways to improve timing of MPMC systems:

- Generally, the size optimizations detailed in "[MPMC Size Optimization](#)," page 209 reduce MPMC complexity and will improve timing (except removal of pipeline stages.)
- Better matching of data path widths between PHY and PIMs also improves timing because it minimizes MUXes used for width matching logic. For example, a 16-bit DDR memory has an internal 32-bit PHY data path. This would better match with a 32-bit NPI interface than a 64-bit NPI interface.
- Experiment with different values for `C_RD_DATAPATH_TML_MAX_FANOUT`. All other pipeline stages are turned on by default. Keeping the pipeline stages enabled improves timing and Fmax.
- Minimize the use of DCMs to synthesize the MPMC memory and PIM clocks. If possible the board should provide a clock source that directly inputs the desired MPMC memory clock frequency. Using on-chip clock synthesis and cascading of DCMs can increase clock jitter which degrades the timing budget of the overall system.
- MPMC timing can be greatly affected by block RAM placement. The use of block RAM floorplanning can greatly improve MPMC timing results. If the number of available block RAMs in a design is low, freeing up block RAM can improve timing. This is especially important on Virtex-5 designs. Choosing the memory interface DQ pinout so they are placed near columns of block RAMs might also improve timing.
- If possible, use fixed arbitration which simplifies the arbitration logic.
- Move `C_WR_TRAINING_PORT` to a different port that is less timing critical (for example, using a DXCL port instead of an SDMA port for the write training pattern).
- Run EDK in **xplorer** mode. This might significantly increase the tool run times but might also improve place and route results.

MPMC Latency and Throughput

This section provides MPMC latency and throughput estimations under a variety of MPMC configurations and memory speeds. The values are based on using default MPMC configurations (unless otherwise noted). Actual system performance can be affected by the timing of the memory part, PHY calibration settings, clock speeds, clock ratios, and the exact behavior of PIMs and devices connected to the MPMC.

Latency values are provided for the initial latency of the first transaction as measured from the transaction request at the PIM to the first data beat transferred.

Throughput values describe the theoretical maximum continuous rate of sustained data transfer using pipelined back-to-back burst transactions from an ideal device connected to MPMC. Throughput values might not take into account the fraction of total available memory bandwidth taken up by refresh operations. Refresh will slightly reduce the available bandwidth of the system.

The latency and throughput values were measured under the following conditions:

1. Spartan-3 generation measurements were taken with a Spartan-3A device using MT46V32M8-75 DDR memory or MT47H32M8-3 DDR2 memory.
2. Virtex-4 and Virtex-5 measurements were taken with a Virtex-5 device using MT46V32M8-75 DDR memory or MT47H32M8-3 DDR2 memory. Virtex-4 performance is assumed to be similar to Virtex-5 performance.
3. Nonregistered memory was used.
4. Virtex-6 measurements are taken using an MT41J128M8XX-15E device for DDR3 and an MT47H128M8XX-25 for DDR2. The measurements are calculated by transferring 100KB to and from memory and takes into account memory refresh dead time.
5. Spartan-6 measurements are taken using an MT41J128M8XX device for DDR3 and an MT47H128M8XX-25 for DDR2. The measurements are calculated by transferring 100KB to and from memory and takes into account memory refresh dead time.

Note: These values are provided for guidance and are not a guarantee of performance under all conditions. Simulation and/or hardware instrumentation (such as using ChipScope™ Pro analyzer) should be used to verify performance targets in the full system.

NPI PIM Latency and Throughput

The latency and throughput at the NPI level reflects the performance of the MPMC core because NPI is the native interface of MPMC. [Table 94](#) provides the NPI estimations by port, pipeline setting, memory interface, NPI width (in bits), and NPI burst type as well as the initial transaction latency, and maximum data throughput.

Table 94: NPI Latency and Throughput

Number of Ports	Pipeline settings	Memory Interface	NPI Width (Bits)	MPMC NPI Burst Type	Initial Transaction Latency (MPMC_Clk0)	Maximum Total Data Throughput (MBytes/sec)
Spartan-3 Generation Reads						
1-8	Default	DDR1 @ 100 MHz 32 bits	64	16 Word Burst	24	533
1-8	Default	DDR1 @ 100 MHz 32 bits	64	32 Word Burst	24	640
1-8	Default	DDR1 @ 100 MHz 32 bits	64	64 Word Burst	24	711
1-8	Default	DDR2 @ 133 MHz 16 bits	32	16 Word Burst	25	406
1-8	Default	DDR2 @ 133 MHz 32 bits	64	16 Word Burst	25	656

* Latency on writes is not characterized because MPMC allows write data to be pushed in before or after the address request.

Table 94: NPI Latency and Throughput (Cont'd)

Number of Ports	Pipeline settings	Memory Interface	NPI Width (Bits)	MPMC NPI Burst Type	Initial Transaction Latency (MPMC_Clk0)	Maximum Total Data Throughput (MBytes/sec)
1-8	Default	DDR2@133 MHz 32 bits	64	32 Word Burst	25	813
1-8	Default	DDR2@133 MHz 32 bits	64	64 Word Burst	25	923
1-8	Default	DDR1 @83 MHz 16 bits	32	16 Word Burst	24	267
1-8	All Pipelines Off	DDR1 @83 MHz 16 bits	32	16 Word Burst	20	267
Virtex-4/Virtex-5 Reads						
1-8	Default	DDR2@200 MHz 32 bits	64	16 Word Burst	23	853
1-8	Default	DDR2@200 MHz 32 bits	64	32 Word Burst	23	1113
1-8	Default	DDR2@200 MHz 32 bits	64	64 Word Burst	23	1313
1	Default	DDR2@200 MHz 64 bits	64	16 Word Burst	23	800
2-8	Default	DDR2@200 MHz 64 bits	64	16 Word Burst	23	1067
1-8	Default	DDR2@200 MHz 64 bits	64	32 Word Burst	23	1113
2	Default	DDR2@200 MHz 64 bits	64	32 Word Burst	23	1600
3-8	Default	DDR2@200 MHz 64 bits	64	32 Word Burst	23	1707
1	Default	DDR2@200 MHz 64 bits	64	64 Word Burst	23	1313
2	Default	DDR2@200 MHz 64 bits	64	64 Word Burst	23	1600
3-8	Default	DDR2@200 MHz 64 bits	64	64 Word Burst	23	2226
1-8	Default	DDR1 @100 MHz 32 bits	64	16 Word Burst	20	533
1-8	Default	DDR1 @100 MHz 32 bits	64	32 Word Burst	20	640
1-8	Default	DDR1 @100 MHz 32 bits	64	64 Word Burst	20	711
1-8	All Pipelines Off	DDR1 @100 MHz 32 bits	64	16 Word Burst	16	533
1-8	All Pipelines Off	DDR1 @100 MHz 32 bits	64	32 Word Burst	16	640
1-8	All Pipelines Off	DDR1 @100 MHz 32 bits	64	64 Word Burst	16	711
Virtex-6 Reads						
1-8	Default	DDR3 @ 400MHz 32 bits	64	16 Word Burst	30	968
1	Default	DDR3 @ 400MHz 32 bits	64	32 Word Burst	30	1408
8	Default	DDR3 @ 400MHz 32 bits	64	32 Word Burst	30	1477
1	Default	DDR3 @ 400MHz 32 bits	64	64 Word Burst	30	1502
2	Default	DDR3 @ 400MHz 32 bits	64	64 Word Burst	30	1802
4	Default	DDR3 @ 400MHz 32 bits	64	64 Word Burst	30	1927
8	Default	DDR3 @ 400MHz 32 bits	64	64 Word Burst	30	2003
1	Default	DDR3 @ 400MHz 32 bits	32	64 Word Burst	30	775
2	Default	DDR3 @ 400MHz 32 bits	32	64 Word Burst	30	1538
1	All Pipelines Off	DDR3 @ 400MHz 32 bits	64	64 Word Burst	27	1502

* Latency on writes is not characterized because MPMC allows write data to be pushed in before or after the address request.

Table 94: NPI Latency and Throughput (Cont'd)

Number of Ports	Pipeline settings	Memory Interface	NPI Width (Bits)	MPMC NPI Burst Type	Initial Transaction Latency (MPMC_Clk0)	Maximum Total Data Throughput (MBytes/sec)
1-8	Default	DDR3 @ 400MHz 16 bits	64	32 Word Burst	30	1006
1-8	Default	DDR3 @ 400MHz 16 bits	64	64 Word Burst	30	1226
1-8	Default	DDR3 @ 400MHz 32 bits	64	16 Word Burst	30	968
1-8	Default	DDR2 @ 333MHz 32 bits	64	16 Word Burst	29	803
1	Default	DDR2 @ 333MHz 32 bits	64	32 Word Burst	29	1227
8	Default	DDR2 @ 333MHz 32 bits	64	64 Word Burst	29	1672
Spartan-6 Reads						
1	N/A	DDR2/DDR3 @ 400MHz 16 bits / NPI @ 100MHz	32	16 Word Burst	11	237
4	N/A	DDR2/DDR3 @ 400MHz 16 bits / NPI @ 100MHz	32	16 Word Burst	11	809
1	N/A	DDR2/DDR3 @ 400MHz 16 bits / NPI @ 100MHz	32	32 Word Burst	11	295
4	N/A	DDR2/DDR3 @ 400MHz 16 bits / NPI @ 100MHz	32	32 Word Burst	11	1062
1	N/A	DDR2/DDR3 @ 400MHz 16 bits / NPI @ 100MHz	32	64 Word Burst	11	342
4	N/A	DDR2/DDR3 @ 400MHz 16 bits / NPI @ 100MHz	32	64 Word Burst	11	1261
1	N/A	DDR2/DDR3 @ 400MHz 16 bits / NPI @ 100MHz	64	16 Word Burst	10	441
2	N/A	DDR2/DDR3 @ 400MHz 16 bits / NPI @ 100MHz	64	16 Word Burst	10	813
1	N/A	DDR2/DDR3 @ 400MHz 16 bits / NPI @ 100MHz	64	32 Word Burst	10	565
2	N/A	DDR2/DDR3 @ 400MHz 16 bits / NPI @ 100MHz	64	32 Word Burst	10	1068
1	N/A	DDR2/DDR3 @ 400MHz 16 bits / NPI @ 100MHz	64	64 Word Burst	10	661
2	N/A	DDR2/DDR3 @ 400MHz 16 bits / NPI @ 100MHz	64	64 Word Burst	10	1265
Spartan-3 Generation Writes						
1-8	Default	DDR1 @ 100 MHz 32 bits	64	16 Word Burst	N/A*	400
1-8	Default	DDR1 @ 100 MHz 32 bits	64	32 Word Burst	N/A*	533
1-8	Default	DDR1 @ 100 MHz 32 bits	64	64 Word Burst	N/A*	640
1-8	Default	DDR2 @ 133 MHz 16 bits	32	16 Word Burst	N/A*	328
1-8	Default	DDR2 @ 133 MHz 32 bits	64	16 Word Burst	N/A*	474
1-8	Default	DDR2 @ 133 MHz 32 bits	64	32 Word Burst	N/A*	656

* Latency on writes is not characterized because MPMC allows write data to be pushed in before or after the address request.

Table 94: NPI Latency and Throughput (Cont'd)

Number of Ports	Pipeline settings	Memory Interface	NPI Width (Bits)	MPMC NPI Burst Type	Initial Transaction Latency (MPMC_Clk0)	Maximum Total Data Throughput (MBytes/sec)
1-8	Default	DDR2@133 MHz 32 bits	64	64 Word Burst	N/A*	813
1-8	Default	DDR1 @83 MHz 16 bits	32	16 Word Burst	N/A*	222
1-8	All Pipelines Off	DDR1 @83 MHz 16 bits	32	16 Word Burst	N/A*	222
Virtex-4/Virtex-5 Writes						
1-8	Default	DDR2@200 MHz 32 bits	64	16 Word Burst	N/A*	610
1-8	Default	DDR2@200 MHz 32 bits	64	32 Word Burst	N/A*	883
1-8	Default	DDR2@200 MHz 32 bits	64	64 Word Burst	N/A*	1138
1-8	Default	DDR2@200 MHz 64 bits	64	16 Word Burst	N/A*	753
1-8	Default	DDR2@200 MHz 64 bits	64	32 Word Burst	N/A*	1219
1	Default	DDR2@200 MHz 64 bits	64	64 Word Burst	N/A*	1600
2-8	Default	DDR2@200 MHz 64 bits	64	64 Word Burst	N/A*	1766
1-8	Default	DDR1 @100 MHz 32 bits	64	16 Word Burst	N/A*	400
1-8	Default	DDR1 @100 MHz 32 bits	64	32 Word Burst	N/A*	533
1-8	Default	DDR1 @100 MHz 32 bits	64	64 Word Burst	N/A*	640
1-8	All Pipelines Off	DDR1 @100 MHz 32 bits	64	16 Word Burst	N/A*	400
1-8	All Pipelines Off	DDR1 @100 MHz 32 bits	64	32 Word Burst	N/A*	533
1-8	All Pipelines Off	DDR1 @100 MHz 32 bits	64	64 Word Burst	N/A*	640
Virtex-6 Writes						
1-8	Default	DDR3 @ 400MHz 32 bits	32/64	16 Word Burst	N/A*	700
1-8	Default	DDR3 @ 400MHz 32 bits	64	32 Word Burst	N/A*	1143
1-8	Default	DDR3 @ 400MHz 32 bits	64	64 Word Burst	N/A*	1676
1	Default	DDR3 @ 400MHz 32 bits	32	32 Word Burst	N/A*	800
8	Default	DDR3 @ 400MHz 32 bits	32	32 Word Burst	N/A*	1145
1	Default	DDR3 @ 400MHz 32 bits	32	64 Word Burst	N/A*	801
8	Default	DDR3 @ 400MHz 32 bits	32	64 Word Burst	N/A*	1677
8	All Pipelines Off	DDR3 @ 400MHz 32 bits	32	64 Word Burst	N/A*	1677
1-8	Default	DDR3 @ 400MHz 16 bits	64	32 Word Burst	N/A*	839
1-8	Default	DDR3 @ 400MHz 16 bits	64	64 Word Burst	N/A*	1094
1-8	Default	DDR2 @ 333MHz 32 bits	64	16 Word Burst	N/A*	615
1-8	Default	DDR2 @ 333MHz 32 bits	64	32 Word Burst	N/A*	996
1-8	Default	DDR2 @ 333MHz 32 bits	64	64 Word Burst	N/A*	1442

* Latency on writes is not characterized because MPMC allows write data to be pushed in before or after the address request.

Table 94: NPI Latency and Throughput (Cont'd)

Number of Ports	Pipeline settings	Memory Interface	NPI Width (Bits)	MPMC NPI Burst Type	Initial Transaction Latency (MPMC_Clk0)	Maximum Total Data Throughput (MBytes/sec)
Spartan-6 Writes						
1	N/A	DDR2/DDR3 @ 400MHz 16 bits / NPI @ 100MHz	32	16 Word Burst	N/A*	400
4	N/A	DDR2/DDR3 @ 400MHz 16 bits / NPI @ 100MHz	32	16 Word Burst	N/A*	639
1	N/A	DDR2/DDR3 @ 400MHz 16 bits / NPI @ 100MHz	32	32 Word Burst	N/A*	400
4	N/A	DDR2/DDR3 @ 400MHz 16 bits / NPI @ 100MHz	32	32 Word Burst	N/A*	908
1	N/A	DDR2/DDR3 @ 400MHz 16 bits / NPI @ 100MHz	32	64 Word Burst	N/A*	356
4	N/A	DDR2/DDR3 @ 400MHz 16 bits / NPI @ 100MHz	32	64 Word Burst	N/A*	1143
1	N/A	DDR2/DDR3 @ 400MHz 16 bits / NPI @ 100MHz	64	16 Word Burst	N/A*	655
2	N/A	DDR2/DDR3 @ 400MHz 16 bits / NPI @ 100MHz	64	16 Word Burst	N/A*	642
1	N/A	DDR2/DDR3 @ 400MHz 16 bits / NPI @ 100MHz	64	32 Word Burst	N/A*	800
2	N/A	DDR2/DDR3 @ 400MHz 16 bits / NPI @ 100MHz	64	32 Word Burst	N/A*	910
1	N/A	DDR2/DDR3 @ 400MHz 16 bits / NPI @ 100MHz	64	64 Word Burst	N/A*	801
2	N/A	DDR2/DDR3 @ 400MHz 16 bits / NPI @ 100MHz	64	64 Word Burst	N/A*	1150

* Latency on writes is not characterized because MPMC allows write data to be pushed in before or after the address request.

Notes on NPI Throughput

1. NPI throughput increases with burst size so the 64 word bursts offer the highest maximum bandwidth, but might increase the delay on other ports.
2. The throughput of the NPI interface is limited to a 64-bit wide data path running at the memory clock speed. Because the memory can have up to a 64-bit DDR interface (128 bit wide SDR data path), it is possible that a single NPI port might not be able to access the full available bandwidth of the memory. In such situations, multiple NPI ports could be needed to fully utilize the memory in systems requiring highest throughput.
3. The MPMC control logic does not support row or bank management. After each NPI transaction, the row and bank that was accessed is closed with a precharge.

PLB PIM Latency and Throughput

Table 95 provides latency and throughput of each PLB PIM port with performance information for various MPMC and PLB PIM configurations.

Table 95: PLB PIM Latency and Throughput

Pipeline Settings	Memory Interface	NPI Width	PLB Burst Type	Memory to PLB Clock Ratio	Initial Transaction Latency (PLB Clocks)	Maximum Total Data Throughput of a PLB Port (MBytes/sec)
Spartan-3 Generation Reads						
Default	DDR1 @ 100 MHz 32 bits	64	16 Doublewords	1:1	29	507
Default	DDR2 @ 133 MHz 16 bits	32	16 Words	2:1	17	185
Default	DDR2 @ 133 MHz 32 bits	64	16 Doublewords	2:1	17	371
Default	DDR1 @ 83 MHz 16 bits	32	16 Words	1:1	29	211
All Pipelines Off	DDR1 @ 83 MHz 16 bits	32	16 Words	1:1	25	221
Spartan-3 Generation Writes						
Default	DDR1 @ 100 MHz 32 bits	64	16 Doublewords	1:1	4	266
Default	DDR2 @ 133 MHz 16 bits	32	16 Words	2:1	4	118
Default	DDR2 @ 133 MHz 32 bits	64	16 Doublewords	2:1	4	237
Default	DDR1 @ 83 MHz 16 bits	32	16 Words	1:1	4	111
All Pipelines Off	DDR1 @ 83 MHz 16 bits	32	16 Words	1:1	4	111
Virtex-4/Virtex-5 Reads						
Default	DDR2 @ 200 MHz 32 bits	64	16 Doublewords	2:1	16	556
Default	DDR2 @ 200 MHz 64 bits	64	16 Doublewords	2:1	16	556
Default	DDR1 @ 100 MHz 32 bits	64	16 Doublewords	1:1	25	508
All Pipelines Off	DDR1 @ 100 MHz 32 bits	64	16 Doublewords	1:1	21	532
Virtex-4/Virtex-5 Writes						
Default	DDR2 @ 200 MHz 32 bits	64	16 Doublewords	2:1	4	355
Default	DDR2 @ 200 MHz 64 bits	64	16 Doublewords	2:1	4	399
Default	DDR1 @ 100 MHz 32 bits	64	16 Doublewords	1:1	4	320
All Pipelines Off	DDR1 @ 100 MHz 32 bits	64	16 Doublewords	1:1	4	320
Virtex-6 Reads						
Default	DDR3 @ 400MHz 32 bits	64	16 Doublewords	4:1	18	555
Default	DDR3 @ 400MHz 32 bits	64	16 Doublewords	2:1	34	917
Default	DDR3 @ 400MHz 32 bits	32	16 Words	4:1	18	278
Default	DDR3 @ 400MHz 16 bits	64	16 Doublewords	4:1	18	555
None	DDR3 @ 400MHz 32 bits	64	16 Doublewords	4:1	16	556

Table 95: PLB PIM Latency and Throughput (Cont'd)

Pipeline Settings	Memory Interface	NPI Width	PLB Burst Type	Memory to PLB Clock Ratio	Initial Transaction Latency (PLB Clocks)	Maximum Total Data Throughput of a PLB Port (MBytes/sec)
Virtex-6 Writes						
Default	DDR3 @ 400MHz 32 bits	64	16 Doublewords	4:1	N/A	398
Default	DDR3 @ 400MHz 32 bits	64	16 Doublewords	2:1	N/A	630
Default	DDR3 @ 400MHz 32 bits	32	16 words	4:1	N/A	210
Default	DDR3 @ 400MHz 16 bits	64	16 Doublewords	4:1	N/A	354
None	DDR3 @ 400MHz 32 bits	64	16 Doublewords	4:1	N/A	399
Spartan-6 Reads						
Default	DDR3 @ 400MHz 16 bits	64	16 Doublewords	8:1	10	278
Default	DDR3 @ 400MHz 16 bits	32	16 Words	8:1	10	139
Default	DDR2 @ 400MHz 16 bits	64	16 Doublewords	5:1	16	376
Default	DDR2 @ 400MHz 16 bits	32	16 Words	5:1	16	188
Spartan-6 Writes						
Default	DDR3 @ 400MHz 16 bits	64	16 Doublewords	8:1	N/A	198
Default	DDR3 @ 400MHz 16 bits	32	16 Words	8:1	N/A	106
Default	DDR2 @ 400MHz 16 bits	64	16 Doublewords	5:1	N/A	267
Default	DDR2 @ 400MHz 16 bits	32	16 Words	5:1	N/A	143

Notes on PLB PIM Throughput

The PLB PIM latency is measured from `PAValid` of the first PLB transaction to when the first `PLB_wrDAck` or `PLB_rdDAck` is asserted. The throughput of the PLB PIM is measured by using a PLB master to generate a continuous stream of 16-word or 16-double word bursts over a Point-to-Point PLB connection. These bursts are address-aligned to the size of the burst and include the generation of secondary address requests.

Table 95 describes the maximum throughput of a PLB PIM. The maximum throughput of each PLB PIM is usually less than the available throughput of the MPMC core. Though each PIM is usually not capable of fully utilizing the available bandwidth, the remaining MPMC Core/NPI bandwidth is available for other ports to use.

For example, a six port MPMC with 64-bit DDR2 memory at 200 MHz is capable of 2226 MBytes/sec of theoretical read throughput. In that configuration a single PLB PIM is capable of 427 MBytes/sec of throughput. Therefore:

- Four PLB ports, each running at maximum throughput, could achieve a combined system throughput of up to 1708 MBytes/sec (limited by the PLB PIMs).
- Five PLB ports, each running at maximum throughput, could achieve a combined system throughput of up to 2135 MBytes/sec (limited by the PLB PIMs).
- Six PLB ports, each running at maximum throughput, could achieve a combined system throughput of up to 2226 MBytes/sec (limited by the MPMC Core).

The PLB PIM throughput is most efficient when the PLB burst address range fits within MPMC 16-word (32 bit NPI) and 32-word (64 bit NPI) burst boundaries. "MIG PHY Maximum Supported Frequencies by FPGA Family," page 205 assumes the bursts are aligned to the burst size.

SDMA Latency and Throughput

Device Throughput Estimation for 32-bit NPI Operation

The SDMA is one of several modules in the system; consequently, the throughput numbers reported in this section are estimates based on the listed assumptions. The overall latency calculations must take into account latency and throttling because of the individual modules in the system, such as memory, device on LocalLink, and MPMC.

[Table 96](#) lists the latency results for various operation types.

Table 96: SDMA Latency Expectations

Operation	Latency Between	LocalLink Clock Cycles	Notes
Rx/Tx	Write to Current Description Pointer by PLB (PAVALID.) Address Request to NPI Port for 1st Rx/Tx Descriptor data (AddrReq)	17	
Rx/Tx	Address Acknowledge from NPI port (AddrAck.) Data Available on NPI (NPI RDFIFO Empty de-asserted.)	Z	Memory dependent latency. Refer to MPMC data sheet for standard values
Rx/Tx	Data Available on NPI. Rx/Tx Buffer Descriptor Read Complete.	10	Cacheline Read
Tx	Rx Buffer Descriptor Read Complete. Address Request to NPI port for 1st TX descriptor data.	10	12 for Read FIFO Port Side Pipeline = 1
Tx	Address Acknowledge from NPI port. Data Available on NPI.	Z	Memory-dependent latency. Refer to Table 94, page 211 for standard values.
Tx	Data Available on NPI. Tx Buffer Descriptor Read Complete.	10	
Tx	Tx Buffer Descriptor Read Complete NPI. Address Request for 1st 32-word block burst for transmission on LocalLink.	7	
Tx	Address Acknowledge from NPI port. Data Available on NPI.	Y	Memory-dependent latency. Refer to Table 94, page 211 for standard values.
Tx	Data available on NPI 1st 32-word Block Transmit complete on LocalLink.	33	Assumes complete 32-word transfer (with no flush to NPI. ⁽¹⁾)
Tx	1st 32-word block Transmit complete NPI. Address Request for 2nd (or any subsequent, except last) 32-word block burst for transmission on LocalLink.	14	16 for Read FIFO Port Side Pipeline = 1.
Tx	Address Acknowledge from NPI port. Data Available on NPI.	Y	Memory-dependent latency. Refer to Table 94, page 211 for standard values.
Tx	Data available on NPI. 2nd 32-word block Transmit complete on LocalLink.	34	Assumes complete 32-word transfer (with no flush to NPI. ⁽¹⁾)
Tx	Second to Last 32-word Block Transmit complete on LocalLink. NPI Address Request for last 32-word block burst for transmission on LocalLink.	14	16 for Read FIFO Port Side Pipeline = 1.

1. If less than 32-words are required, a flush is issued to NPI and the number of clock cycles required to complete the transmit operation = 5 + number of words to be transmitted.

Table 96: SDMA Latency Expectations (Cont'd)

Operation	Latency Between	LocalLink Clock Cycles	Notes
Tx	NPI Address Request. Data available on NPI.	Y	Memory-dependent latency. Refer to Table 94, page 211 for values.
Tx	Data available on NPI. Last 32-word block Transmit complete on LocalLink.	34	Assumes complete 32-word transfer (with no flush to NPI. ⁽¹⁾)
Tx	Last 32-word Block Transmit complete on LocalLink. TX buffer descriptor Write update complete.	14	
Rx	1st Rx Source Ready (on LocalLink side). Address Request for 1st 32-word block Write on NPI.	10	Assuming Rx Destination is ready to receive the data
Rx	1st push issued on NPI for a burst Write. NPI Addrreq issued on NPI for burst Write.	32	
Rx	Address Request for any 32-word block Write on NPI Address. Acknowledge from NPI.	1	Assuming usual response time from MPMC
Rx	RxSrcRdy asserted for 2nd (or any subsequent) 32-word block. First push issued on NPI side.	5	Assuming Rx Destination is ready to receive the data
Rx	Last 32-word Block write complete on NPI, Rx buffer descriptor Write update complete.	12	

1. If less than 32-words are required, a flush is issued to NPI and the number of clock cycles required to complete the transmit operation = 5 + number of words to be transmitted.

Latency Calculation Examples

For Tx:

Ignoring timing for buffer descriptor fetches (like in large block transfers), the throughput for Tx averages are = 32 words / (11 + Y + 36) LocalLink cycles.

Examples:

- If the application is for 16-bit DDR2 at 133 MHz, then Y = 25.
- If the LocalLink clock is 125 Mhz, the throughput is 128 bytes / (11 + 25 + 36) * 8 ns = 222 MB/s

For Rx:

Ignoring timing for buffer descriptor fetches, the throughput for Rx average is = 32 words / (37 + 1 + 5) LocalLink cycles. For example, if the LocalLink clock is 125 Mhz, the throughput is: 128 bytes / (43) * 8 ns = 372 MB/s

Note: Assuming no throttling on NPI side and no throttling from LocalLink yields a high Rx Data throughput.

Latency Characteristics Assumptions

- Data re-alignment might be required
- No throttling on either NPI or LocalLink side
- No memory refresh

These latency timings are associated with a 1:1 clock ratio with Read Data Delay = 0. However, the timings for other values of clock ratio and Read Data Delay are relatively the same because the LocalLink data throughput is the system bottleneck.

XCL PIM Latency and Throughput

Table 97 describes the latency and throughput for the XCL PIM port. The table provides performance information for common MPMC and XCL PIM configurations. The XCL PIM latency is measured from the first push of data into the access FIFO until the first data is available on the read data FIFO. The throughput transactions were measured by transferring 1 kilobyte of data in simulation.

The time between the first transaction and the last data item is used to divide the number of bytes transferred to calculate the read throughput. The time measured between the first transaction and the last transaction has been sent over the access FIFO is used for the write throughput calculation.

Table 97: XCL PIM Latency and Throughput

Pipeline Settings	Memory Interface	Linesize	Port Subtype	Memory to XCL Clock Ratio	Initial Transaction Latency (XCL Clocks)	Maximum Total Data Throughput of XCL Port (MBytes/sec)
Spartan-3 Generation Reads						
Default	DDR2 @ 133 MHz 32 bits	16	XCL	2:1	16	214
Default	DDR2 @ 133 MHz 16 bits	16	XCL	2:1	16	213
Default	DDR1 @ 83 MHz 16 bits	8	XCL	1:1	28	188
Default	DDR1 @ 83 MHz 16 bits	4	DXCL	1:1	28	127
None	DDR1 @ 83 MHz 16 bits	4	DXCL	1:1	22	157
Spartan-3 Generation Writes						
Default	DDR2 @ 133 MHz 32 bits	16	XCL	2:1	N/A	225
Default	DDR2 @ 133 MHz 16 bits	16	XCL	2:1	N/A	225
Default	DDR1 @ 83 MHz 16 bits	8	XCL	1:1	N/A	165
Default	DDR1 @ 83 MHz 16 bits	1	DXCL	1:1	N/A	33
None	DDR1 @ 83 MHz 16 bits	1	DXCL	1:1	N/A	33
Virtex-4/Virtex-5 Reads						
Default	DDR2 @ 200 MHz 32 bits	16	XCL	2:1	15	320
Default	DDR2 @ 200 MHz 16 bits	16	XCL	2:1	15	320
Default	DDR2 @ 200 MHz 16 bits	8	XCL	2:1	15	266
Default	DDR1 @ 100 MHz 16 bits	4	DXCL	1:1	24	158
None	DDR1 @ 100 MHz 16 bits	4	DXCL	1:1	24	197
Virtex-4/Virtex-5 Writes						
Default	DDR2 @ 200 MHz 32 bits	16	XCL	2:1	N/A	337
Default	DDR2 @ 200 MHz 16 bits	16	XCL	2:1	N/A	337
Default	DDR2 @ 200 MHz 16 bits	8	XCL	2:1	N/A	291
Default	DDR1 @ 100 MHz 16 bits	1	DXCL	1:1	N/A	40
None	DDR1 @ 100 MHz 16 bits	1	DXCL	1:1	N/A	40

Table 97: XCL PIM Latency and Throughput (Cont'd)

Pipeline Settings	Memory Interface	Linesize	Port Subtype	Memory to XCL Clock Ratio	Initial Transaction Latency (XCL Clocks)	Maximum Total Data Throughput of XCL Port (MBytes/sec)
Virtex-6 Reads						
Default	DDR3 @ 400MHz 32 bits	16	XCL	4:1	18	320
Default	DDR3 @ 400MHz 16 bits	16	XCL	4:1	18	320
Default	DDR3 @ 400MHz 16 bits	8	XCL	4:1	18	266
Default	DDR3 @ 400MHz 16 bits	8	DXCL	4:1	18	266
Default	DDR3 @ 400MHz 16 bits	4	DXCL	4:1	18	194
None	DDR3 @ 400MHz 16 bits	4	DXCL	4:1	16	261
Virtex-6 Writes						
Default	DDR3 @ 400MHz 32 bits	16	XCL	4:1	N/A	337
Default	DDR3 @ 400MHz 16 bits	16	XCL	4:1	N/A	337
Default	DDR3 @ 400MHz 16 bits	8	XCL	4:1	N/A	289
Default	DDR3 @ 400MHz 16 bits	8	DXCL	4:1	N/A	49
Default	DDR3 @ 400MHz 16 bits	4	DXCL	4:1	N/A	49
None	DDR3 @ 400MHz 16 bits	4	DXCL	4:1	N/A	49
Spartan-6 Reads						
Default	DDR3 @ 400MHz 16 bits	16	XCL	4:1	13	337
Default	DDR3 @ 400MHz 16 bits	8	DXCL	4:1	13	290
Default	DDR3 @ 400MHz 16 bits	4	DXCL	4:1	13	226
Default	DDR3 @ 400MHz 16 bits	4	DXCL	5:1	12	182
Spartan-6 Writes						
Default	DDR3 @ 400MHz 16 bits	16	XCL	4:1	N/A	337
Default	DDR3 @ 400MHz 16 bits	1	DXCL	4:1	N/A	133
Default	DDR3 @ 400MHz 16 bits	1	DXCL	4:1	N/A	133
Default	DDR3 @ 400MHz 16 bits	1	DXCL	5:1	N/A	107

VFBC PIM Latency and Throughput

The VFBC PIM uses the NPI interface of the MPMC, therefore the latency and throughput of the VFBC PIM is similar to the NPI PIM. The maximum throughput of the VFBC PIM is 95.2% of the NPI PIM throughput (see [Table 94, page 211](#)). The VFBC uses 32-word bursts and 64-bit NPI interface only; consequently, only those configurations from [Table 94, page 211](#) are valid for the VFBC numbers.

The VFBC PIM adds an additional 68 MPMC_C1k cycles for the first 32-word burst of each VFBC command. Each subsequent burst does not have an additional latency cost. The minimum number of cycles between each 32-word burst transaction is 0 MPMC_C1k cycles. This number will increase if the VFBC or MPMC FIFOs are not ready.

For Write transactions, data is written into the NPI interface starting at 8 MPMC_C1k cycles before the NPI address request is asserted. (A complete Write transaction takes 16 MPMC_C1k cycles only for 32-word bursts.)

Resource Utilization

The following subsections detail the MPMC resource utilization:

- [Resource \(block RAM\) Utilization](#)
- [Resource \(LUT, Flip-Flop, and Slice\) Utilization](#)

Resource (block RAM) Utilization

By default, MPMC uses block RAM based FIFOs in each of its ports to buffer read and write data from the external memory to improve memory efficiency, reduce LUT utilization, and to improve timing. MPMC also provides a per-port parameter called `C_PI<Port_Num>_RD_FIFO_TYPE` and `C_PI<Port_Num>_WR_FIFO_TYPE` which can be used to disable FIFOs for (read-only or write-only ports) or to choose the use of SRL FIFOs instead of block RAM FIFOs.

MPMC block RAM utilization is outlined as follows:

- 1 block RAM for control state machine.
- 1 block RAM for arbitration if CUSTOM arbitration algorithm is used (`C_ARB0_ALGO = CUSTOM`). For FIXED or ROUND_ROBIN arbitration, no block RAM is used. If only 1 port is used, no block RAM is used.
- If ECC is enabled, 1 block RAM is used for 8-, 16-, and 32-bit DDR/DDR2 memories, and two block RAMs for 64-bit DDR/DDR2 memories.
- 1 block RAM for every port where a Performance Monitor is enabled.

[Table 98](#) shows the block RAM usage for each Read and Write port for the Spartan-3, Virtex-4, and Virtex-5 FPGA devices:

Table 98: Read and Write Port block RAM Usage (Spartan-3, Virtex-4, and Virtex-5)

Read Ports	0 block RAMs if write-only port (<code>C_PI<Port_Num>_RD_FIFO_TYPE = DISABLED</code>).
	1 block RAM for 32 bit NPI ⁽¹⁾ port width and 8/16 bit DDR/DDR2 memory.
	1 block RAM for 32 bit NPI port width and 8/16/32 bit SDRAM memory.
	2 block RAMs for 64 bit NPI port width or 32 bit DDR/DDR2 memory or 64 bit SDRAM memory.
	On Virtex-5, there is an optimization where 1 block RAM is used for 64 bit NPI with 32 bit DDR and DDR2 or 64 bit SDRAM memory.
	4 block RAMs for 64 bit DDR and DDR2 memory.

1. NPI Width is defined as: SDMA = 64 bits, XCL = 32 bits PLB PIM = value of parameter `C_SPLB<Port_Num>_NATIVE_DWIDTH` (the default is 64 and this value must be 64 for IPLB and DPLB SUBTYPES), NPI = value of parameter `C_PIM<Port_Num>_DATA_WIDTH` (default is 64).

Table 98: Read and Write Port block RAM Usage (Spartan-3, Virtex-4, and Virtex-5) (Cont'd)

Write Ports	0 block RAMs if read-only port (C_PI<Port_Num>_WR_FIFO_TYPE = DISABLED) or for IXCL/IPLB PIM subtypes.
	1 block RAM for 32 bit NPI port width and 8/16 bit DDR/DDR2 memory,
	1 block RAM for 32 bit NPI port width and 8/16/32 bit SDRAM memory.
	2 block RAMs for 64 bit NPI port width or 32 bit DDR/DDR2 memory or 64 bit SDRAM memory.
	On Virtex-5, there is an optimization where 1 block RAM is used for 64 bit NPI with 32 bit DDR/DDR2 or 64 bit SDRAM memory.
	4 block RAMs for 64 bit DDR/DDR2 memory.

1. NPI Width is defined as: SDMA = 64 bits, XCL = 32 bits PLB PIM = value of parameter C_SPLB<Port_Num>_NATIVE_DWIDTH (the default is 64 and this value must be 64 for IPLB and DPLB SUBTYPES), NPI = value of parameter C_PIM<Port_Num>_DATA_WIDTH (default is 64).

Table 99 shows the block RAM usage for each Read and Write port for the Virtex-6 FPGA device:

Table 99: Read and Write Port block RAM Usage (Virtex-6)

Read Ports	0 block RAMs if write-only port (C_PI<Port_Num>_RD_FIFO_TYPE = DISABLED).
	1 block RAM for 32 bit NPI ⁽¹⁾ port width and 8 bit DDR2/DDR3 memory.
	2 block RAMs for 64 bit NPI port width or 32 bit DDR2/DDR3 memory or 64 bit SDRAM memory.
	1 block RAM for 64 bit NPI ⁽¹⁾ port width and 16 bit DDR2/DDR3 memory.
	2 block RAMs for 32 bit NPI ⁽¹⁾ port width and 16 bit DDR2/DDR3 memory.
	4 block RAMs for 64 bit DDR2/DDR3 memory.
Write Ports	0 block RAMs if read-only port (C_PI<Port_Num>_WR_FIFO_TYPE = DISABLED) or for IXCL PIM subtypes.
	1 block RAM for 32 bit NPI ⁽¹⁾ port width and 8 bit DDR2/DDR3 memory.
	2 block RAMs for 64 bit NPI ⁽¹⁾ port width and 8 bit DDR2/DDR3 memory.
	1 block RAMs for 64 bit NPI ⁽¹⁾ port width and 16 bit DDR/DDR3 memory.
	2 block RAMs for 32 bit NPI ⁽¹⁾ port width and 16 bit DDR/DDR3 memory.
	4 block RAMs for 32 bit DDR2/DDR3 memory

1. NPI Width is defined as: SDMA = 64 bits, XCL = 32 bits PLB PIM = value of parameter C_SPLB<Port_Num>_NATIVE_DWIDTH (the default is 64 and this value must be 64 for IPLB and DPLB SUBTYPES), NPI = value of parameter C_PIM<Port_Num>_DATA_WIDTH (default is 64).

To conserve block RAMs, the MPMC can be configured to use SRL FIFOs instead of block RAM FIFOs. With a 64-bit NPI:

- Each read SRL FIFO uses approximately 288 LUTs per port.
- Each write SRL FIFO uses approximately 256 LUTs per port.

The use of SRL FIFOs might negatively impact timing due to the slower speed of SRL FIFOs compared to block RAMs (BRAMs).

The VFBC PIM uses a number of block RAMs depending on the FIFO sizes. See "[VFBC PIM Slice, LUT, FF, Slice, and BRAM Resource Utilization](#)," page 227.

Note: Spartan-6 does not use block RAMs with the exception of VFBC PIMs or Performance Monitors.

Resource (LUT, Flip-Flop, and Slice) Utilization

This section provides estimates for Lookup Table (LUT), Flip-Flop (FF), and Slice utilization for MPMC and PIMs. The values provided are for resource estimation and are not guaranteed. These estimates assume default MPMC settings and default implementation tool options. Actual FPGA resource utilization depends on exact MPMC configuration parameters and implementation tool optimizations including cross boundary logic optimization, logic sharing, register re-timing, global system optimization, logic trimming, timing targets, and implementation tool settings.

MPMC Core (LUT, FF, and Slice) Resource Utilization

Table 100 provides MPMC Core LUT and FF resource utilization. This includes the PHY, arbiter, control logic, and data path (using block RAM FIFOs) up to the internal NPI interfaces. PIM resource utilizations are provided separately in the tables that follow. An estimate of Slice utilization is also provided for reference. The reported Slice utilization numbers correspond to default slice packing effort for a medium full FPGA. The Slice utilization might vary in actual systems due to factors such as the fullness of the FPGA device, Slice packing effort, and the amount of Slice merging with other logic in the system.

Table 100: LUT and Flip Flop Utilization Estimates⁽¹⁾

FPGA Family	Memory Width	Memory Type	Base Single Port MPMC Core Size			Each Additional Port Size		
			LUT Utilization	FF Utilization	Slice Utilization	LUT Utilization	FF Utilization	Slice Utilization
Spartan-3 Generation	16 ⁽²⁾	DDR/DDR2	340-390	850-970	620-720	180-200	220-250	210-240
Spartan-3 Generation	32	DDR/DDR2	450-510	1160-1330	840-970	170-200	250-290	220-260
Virtex-4	32	DDR/DDR2	1210-1390	1290-1480	1250-1440	250-290	310-360	280-320
Virtex-4	64	DDR/DDR2	2070-2380	2080-2390	2080-2390	240-280	350-410	290-340
Virtex-5	32	DDR/DDR2	960-1100	1410-1620	640-740	170-190	280-320	120-140
Virtex-5	64	DDR/DDR2	1770-2030	2050-2360	1030-1200	200-230	340-390	140-170
Virtex-6	32	DDR2/DDR3	2400-2600	3300-3600	1040-1200	150-250	320-450	140-180
Spartan-6	16	LPDDR/DDR/DDR2/DDR3	520-560	320-360	200-250	80-100	120-190	40-70

1. The size values provided assume that, on average, half the ports have 32 bit NPI interfaces.
2. If all ports have 32 bit NPI interfaces the data path size would be further reduced because a 32 bit NPI has the same SDR data width as a 16 bit DDR/DDR2 memory.

XCL PIM LUT and FF Resource Utilization

Table 101 provides the XCL PIM LUT, FF, and Slice resource utilization

Table 101: XCL PIM LUT, FF, and Slice Resource Utilization

FPGA Family	SUBTYPE	LUT Utilization	FF Utilization	Slice Utilization
Spartan-3	IXCL	150	107	115
Spartan-3	DXCL	168	121	129
Virtex-4	IXCL	161	119	134

Table 101: XCL PIM LUT, FF, and Slice Resource Utilization (Cont'd)

FPGA Family	SUBTYPE	LUT Utilization	FF Utilization	Slice Utilization
Virtex-4	DXCL	194	129	152
Virtex-5/Virtex-6/Spartan-6	IXCL	189	112	101
Virtex-5/Virtex-6/Spartan-6	DXCL	207	131	118

PLB PIM LUT, FF, and Slice Utilization

Table 102 through Table 104 provide the PLB PIM LUT, FF and Slice by FPGA family, NPI width, and PLB SUBTYPE

Table 102: PLB PIM LUT and FF Resource Utilization

FPGA Family	PLB PIM SUBTYPE	NPI Width	LUT Utilization	FF Utilization	Slice Utilization
Spartan-3	PLB	32	571-631	388-497	437-524
Spartan-3	PLB	64	853-919	589-673	635-721
Spartan-3	Singles	32	222-284	333-399	274-344
Spartan-3	Singles	64	296-371	474-553	346-424
Virtex-4	PLB	32	593-655	388-495	435-532
Virtex-4	PLB	64	893-944	597-672	648-717
Virtex-4	DPLB	64	471-549	490-579	413-512
Virtex-4	IPLB	64	304-340	331-388	297-340
Virtex-4	Singles	32	229-328	332-400	267-333
Virtex-4	Singles	64	371-438	476-559	370-432
Virtex-5/Virtex-6/Spartan-6	PLB	32	480-577	385-488	303-370
Virtex-5/Virtex-6/Spartan-6	PLB	64	677-850	585-669	478-581
Virtex-5/Virtex-6/Spartan-6	Singles	32	195-212	330-394	207-224
Virtex-5/Virtex-6/Spartan-6	Singles	64	286-308	471-547	252-308

SDMA PIM LUT, FF, and Slice Resource Utilization

Table 103 provides SDMA PIM LUT, FF, and Slice resource utilization for the Spartan-3, Virtex-4, Virtex-5, and Spartan-6 FPGA devices, as well as the values for C_SPLB_DWIDTH, C_SPLB_P2P, C_PI_RDDATA_DELAY, C_COMPLETED_ERR_TX, and C_COMPLETED_ERR_RX,

Table 103: SDMA PIM LUT and FF Resource Utilization by FPGA Device

C_SPLB_DWIDTH	C_SPLB_P2P	C_PI_RDDATA_DELAY	C_COMPLETED_ERR_TX	C_COMPLETED_ERR_RX	LUT Utilization (4-input)	FF Utilization	Slice Utilization
xc3s1400a-4-fg676 (Spartan-3)							
32	1	0	0	0	1881	962	1296
32	0	0	0	0	1878	1036	1323
32	0	1	0	0	1878	1036	1323
32	0	2	0	0	1924	1109	1364
32	0	2	1	0	1925	1110	1366
32	0	2	1	1	1927	1111	1368
64	0	2	1	1	1927	1111	1368
128	0	2	1	1	1927	1111	1367
xc4vfx100-10-ff1152 (Virtex-4)							
32	1	0	0	0	1957	1018	1300
32	0	0	0	0	1961	1066	1332
32	0	1	0	0	1961	1066	1332
32	0	2	0	0	2026	1139	1384
32	0	2	1	0	2028	1141	1386
32	0	2	1	1	2030	1143	1388
64	0	2	1	1	2030	1143	1388
128	0	2	1	1	2030	1143	1388
Virtex-5/Virtex-6/Spartan-6							
32	1	0	0	0	1486	944	738
32	0	0	0	0	1532	1018	869
32	0	1	0	0	1532	1018	869
32	0	2	0	0	1625	1091	792
32	0	2	1	0	1627	1092	844
32	0	2	1	1	1623	1093	813
64	0	2	1	1	1623	1093	773
128	0	2	1	1	1620	1093	795

PPC440MC LUT and FF Resource Utilization

The PPC440MC PIM uses approximately 50 Slices, 120 FFs, and 60 LUTs on Virtex-5 FXT.

VFBC PIM Slice, LUT, FF, Slice, and BRAM Resource Utilization

Table 104 provides the NPI data width, the allowable types for C_PI0_WR_FIFO_TYPE, C_PI0_RD_FIFO_TYPE, the C_VFBC_RDWD_DATA_WIDTH, LUT, FF, and Slice resource utilization as well as the block RAM usage by FPGA architecture.

Table 104: VFBC LUT and FF Resource Utilization

FPGA Architecture	NPI Data Width	C_PI_WR_FIFO_TYPE	C_PI_RD_FIFO_TYPE	C_VFBC_RDWD_DATA_WIDTH	LUT Utilization	FF Utilization	Slice Utilization	Block RAM
Virtex-5 Virtex-6 Spartan-6	32	BRAM	BRAM	8	1,208	1,307	432	3 RAMB16s
	32	BRAM	BRAM	16	1,200	1,331	499	3 RAMB16s
	32	DISABLED	BRAM	32	1,010	1,045	379	3 RAMB16s
	32	BRAM	DISABLED	32	1,062	1,133	334	3 RAMB16s
	32	BRAM	BRAM	32	1,248	1,355	471	5 RAMB16s
	32	BRAM	BRAM	64	1,285	1,379	422	9 RAMB16s
	64	BRAM	BRAM	8	1,211	1,511	382	5 RAMB16s
	64	BRAM	BRAM	16	1,184	1,535	503	5 RAMB16s
	64	DISABLED	BRAM	32	989	1,169	373	3 RAMB16s
	64	BRAM	DISABLED	32	1,041	1,338	419	3 RAMB16s
	64	BRAM	BRAM	32	1,205	1,559	520	5 RAMB16s
	64	BRAM	BRAM	64	1,244	1,583	515	9 RAMB16s
Virtex-4	32	BRAM	BRAM	8	1,971	1,342	1,368	3 RAMB16s
	32	BRAM	BRAM	16	2,028	1,368	1,340	3 RAMB16s
	32	DISABLED	BRAM	32	1,638	1,022	1,082	3 RAMB16s
	32	BRAM	DISABLED	32	1,571	1,056	1,075	3 RAMB16s
	32	BRAM	BRAM	32	2,014	1,325	1,329	5 RAMB16s
	32	BRAM	BRAM	64	2,018	1,348	1,350	9 RAMB16s
	64	BRAM	BRAM	8	1,634	1,523	1,274	5 RAMB16s
	64	BRAM	BRAM	16	1,662	1,487	1,234	5 RAMB16s
	64	DISABLED	BRAM	32	1,281	1,126	961	3 RAMB16s
	64	BRAM	DISABLED	32	1,229	1,241	979	3 RAMB16s
	64	BRAM	BRAM	32	1,680	1,509	1,240	5 RAMB16s
	64	BRAM	BRAM	64	1,693	1,531	1,264	9 RAMB16s

Table 104: VFBC LUT and FF Resource Utilization (Cont'd)

FPGA Architecture	NPI Data Width	C_PI_WR_FIFO_TYPE	C_PI_RD_FIFO_TYPE	C_VFBC_RDWD_DATA_WIDTH	LUT Utilization	FF Utilization	Slice Utilization	Block RAM
Spartan-3A DSP	32	BRAM	BRAM	8	1,920	1,530	1,341	3 RAMB16s
	32	BRAM	BRAM	16	1,944	1,552	1,366	3 RAMB16s
	32	DISABLED	BRAM	32	1,596	1,271	1,124	3 RAMB16s
	32	BRAM	DISABLED	32	1,533	1,295	1,113	3 RAMB16s
	32	BRAM	BRAM	32	1,963	1,574	1,373	5 RAMB16s
	32	BRAM	BRAM	64	1,981	1,596	1,400	9 RAMB16s
	64	BRAM	BRAM	8	1,626	1,576	1,274	5 RAMB16s
	64	BRAM	BRAM	16	1,648	1,598	1,296	5 RAMB16s
	64	DISABLED	BRAM	32	1,274	1,238	1,019	3 RAMB16s
	64	BRAM	DISABLED	32	1,225	1,346	1,037	3 RAMB16s
	64	BRAM	BRAM	32	1,667	1,620	1,305	5 RAMB16s
	64	BRAM	BRAM	64	1,685	1,642	1,332	9 RAMB16s

IP Configuration Graphical User Interface

The IP Configuration interface offers a convenient and user-friendly way to configure a system. You can invoke the IP Configurator GUI within XPS by double-clicking the MPMC IP in the System Assembly View, or by right-clicking MPMC and selecting Configure IP. The tabs in the interface are:

- [Base Configuration](#)
- [Memory Interface](#)
- [Port Configuration](#)
- [Advanced](#)

To create a functional MPMC, you need to use the following three tabs only:

- Base Configuration: select the port type for each active port and remove unused ports between active ports
- Memory Interface: select the memory part and configure the memory settings
- Port Configuration: set the parameters for each port

The Advanced tab contains advanced features such as per-port addresses, per-port data path configuration, arbitration algorithms, performance, and debugging. This tab is intended for advanced users only.

Base Configuration

MPMC provides up to eight ports for accessing the memory; each port can be configured to a different bus or port type. For Spartan-6 devices, choose the MCB port configuration first, using the pull-down menu to the right of the MPMC diagram. Depending on Spartan-6 MCB port configuration, the maximum number of ports could be limited to six or fewer ports. The Base Configuration tab lets you set:

- Port types of the eight available ports: the drop-down box contains **INACTIVE**, **XCL**, **PLBv46**, **SDMA**, **NPI**, **PPC440MC**, **VFBC**, and **MCB**.
Depending on the FPGA architecture and port configuration, some PIM types might not be available.
- Common base addresses

The Port Configuration box contains an interface diagram of MPMC; under each port interface is a drop-down selection that lets you choose the port type. "Memory and Memory Part Parameters," page 11 contains a description of the parameter that specifies port types.

The **LeftJustify** button (which is not available for Spartan-6 MCB) is for eliminating the inactive ports between active ports, which is desirable because inactive ports also consume logic. During this justifying process, all parameters related to the ports and external bus connections are shifted left accordingly. The following table is an example representing the action that occurs with a left-justification of ports.

	Port0	Port1	Port2	Port3	Port4	Port5	Port6	Port7
Before Left Justifying	XCL	PLBv46	Inactive	Inactive	XCL	Inactive	SDMA	Inactive
After Left Justifying	XCL	PLBv46	XCL	SDMA	Inactive	Inactive	Inactive	Inactive

The Common Addresses box is where you enter common Base Addresses and SDMA register Base Addresses. Common base addresses are used by every port for address decoding.

For common SDMA addresses, each port has its own set of registers which are offset at a fixed size from the common SDMA base address. To configure each individual port address, go to the Address option under the Advanced tab.

Memory Interface

MPMC can work with a wide variety of memory parts from different manufacturers. This tab lets you select the memory part used in conjunction with the MPMC.

MPMC has a list of supported memory devices. To select the device to meet your needs, use the Memory Part Selector area, where available memory parts can be filtered, and then displayed as selected, based on the following criteria:

- Memory Part Selector
 - **Type**
 - **Manufacturer**
 - **Style**
 - **Density** – capacity of memory
 - **Width** – data width of memory
 - **Part Number**

The filtered results display in the Selected Memory Info. The Memory Part Selector/Part No. drop-down contains a **CUSTOM** option also, if the correct part is not available in the built-in memory database. After you select the **CUSTOM** option, all the memory parameters are editable and you can enter the parameters you require. After you have selected a memory part, its parameters are automatically loaded into the Selected Memory Info area and the Memory/DIMM Settings tab.

Note: If you select a similar memory part first and then select the CUSTOM option, the memory parameters from the first memory part are retained, but are the fields are editable. This can simplify the process of entering a CUSTOM memory part if it is in a format that is similar to one in the database.

Memory/DIMM Settings Tab

The Memory/DIMM Settings tab provides the following areas: Settings, Configuration, and Info.

Under the Settings area, selection and drop-down boxes are available where you can adjust settings such as:

- **Number of DIMMs**
- **Memory Data Width** dropdown
- **ODT Setting** dropdown
- **Enable DQSN** checkbox
- **Reduced Drive Output** dropdown with the options of **FULL** or **REDUCED**.
- Memory Clock Period (ps)
- Setting for Dynamic Write ODT
- Enable Write Leveling checkbox

Based on the selected device, the appropriate parameters are editable.

The Configuration area provides the following selection options:

- **CE Width**
- **ODT Width**
- **Clock Width**
- **Sn Width**
- **No. of Ranks**
- **Registered Memory** checkbox

The Info area provides the following Memory Width options:

- **Memory DM Width**
- **Memory Address Width**
- **Memory Bank Address Width**
- **Memory DQS Width**
- **CAS Write Latency**

Memory Part Settings Tab

The Memory Part Settings tab has two areas: Part Settings and Memory Timing Settings.

- Part Settings contains options for selecting Data Depth, Data Width, Bank, Row, and Column Bits.
- Memory Timing Settings contains memory part options.

MIG Settings Tab

The MIG Settings tab allows you to launch the MIG Tool from within the MPMC GUI in Spartan-3, Virtex-4, Virtex-5, and Virtex-6 architectures. You can set some MIG specific parameters also. For more information about the integrated MIG tool flow and how to set the MIG specific parameters, refer to "[MIG/MPMC Tool Flow](#)," page 104.

MCB Tab

The MCB tab (Spartan-6 only) lets you configure some MCB specific parameters, generally related to the Soft Calibration Logic, and for setting the RZQ/ZIO pinout locations.

Port Configuration

In the Port Configuration tab you can configure the parameters of each individual port. Tabs are available for Port 0-3 and Port 4-7. The Port tabs are divided into quadrants with a port number represented in each quadrant. Only the parameters related to the current port type (selected in the Base Configuration tab) are active and editable. For a detailed description of parameters, refer to "[Memory and Memory Part Parameters](#)," page 11.

Advanced

The Advanced tab contains the following tabs which offer more advanced MPMC customization:

- [Address Configuration](#)
- [Data Path Configuration](#)
- [Arbitration](#)
- [ECC/PM/PHY/DBG](#)
- [Misc](#)

Address Configuration

In the Address Configuration tab, you can choose to ignore the common base addresses and configure the addresses of each individual port.

The **Use Common Port Address** check box is on by default. If you do not want to use common port address, you can deselect the check box to disable the use of common port addresses and enable the Port Addresses box. You can then change the port addresses of each port.

The rows in the Port Addresses box are:

- **Base Address:** Base address of the port as specified by `C_PIM<Port_Num>_BASEADDR` which is described in "[Per-Port Parameters](#)," page 20.
- **High Address:** High address of the port as specified by `C_PIM<Port_Num>_HIGHADDR` which is described in "[Per-Port Parameters](#)," page 20.
- **Offset:** Address offset as specified by `C_PIM<Port_Num>_OFFSET` which is described in "[Per-Port Parameters](#)," page 20. This allows a multi-processor system to have identical logic memory space inside each processor while mapping each logical memory space to different physical locations inside the memory.
- **SDMA Control Port Base Address:** logical base address of channel (if configured as SDMA).
- **SDMA Control Port High Address:** logical high address of channel (if configured as SDMA).

The **Restore Default Address** button restores the address to common address mode.

Data Path Configuration

In the Data Path Configuration tab (which is not valid for Spartan-6), you can configure the common data path (pipeline) settings and the individual settings for each port.

- **General Pipeline Settings** let you set the **Write TML Pipeline** checkbox and set the **Read Pipeline Fanout** value.
- Port-specific Settings let you change the pipeline settings for the individual ports as follows:
 - **Read FIFO Config:** Implement FIFO using block RAM, SRL, or Wr-Only (Write Only, Read FIFO Disabled).
 - **Write FIFO Config:** Implement FIFO using block RAM, SRL, or Rd-Only (Read Only, Write FIFO Disabled).
 - **Read Memory Pipeline:** Enable pipeline for read access to memory.
 - **Read Port Pipeline:** Enable pipeline for read access to the underlying port.
 - **Write Memory Pipeline:** Enable pipeline for write access to memory.
 - **Write Port Pipeline:** Enable pipeline for write access to port.
 - **Address Ack Pipeline:** Enable pipeline for acknowledgement of address request.

Arbitration

MPMC has a maximum of eight ports that can all access the memory at the same time. Consequently, it is very important to have an arbitration algorithm to determine which port has priority at any given moment. In the Arbitration tab, you can choose what arbitration algorithm to use.

- Arbitration Settings: From the **Select Arbitration Algorithm** box, select one of the three following arbitration algorithms:
 - **Round Robin:** Perform Round Robin arbitration.
 - **Fixed:** Perform Fixed priority arbitration. When set to Fixed, the priority order is from lowest number port to highest number port and cannot be changed (Time Slot 0 is greyed out and is not available for edit.)
 - **Custom:** In this mode, you can customize the number of time slots, as well as the arbitration priorities in each time slot. The arbitration priority in each time slot is encoded as a string to indicate decreasing priorities among ports.
For example, the string "01234567" gives the highest priority to port 0, then decreasing priorities from port 1 through port 7.
- **Turn on Arbitration Pipeline** checkbox
- **Number of Time Slots:** Set the number of time slots
- **Restore Arbitration Defaults**
- **Time Slots:** 1 through 15

ECC/PM/PHY/DBG

All debug registers, ECC registers and Performance Monitors are accessed using a Control Bus interface. With Virtex-6 and Spartan-6 devices some of these options might not be available.

In the General ECC/PM/PHY/DBG Settings box, you can enable Debug, ECC, and PM. If any one of them is enabled, the Control Bus is activated and you must enter the base address in the Control Base Address box. After you enable ECC, you can configure the behavior further in the ECC Settings box. After you enable PM, you can change the general parameters of the Performance Monitor in the Common Performance Monitor Settings box, and the port-specific parameters in Port-specific Performance Monitor Settings box.

In the ECC/PM/PHY/DBG tab, you can set:

- **Enable Static PHY:** Settings for:
 - Power-on/reset Value of RDDATA_CLK_SEL Register
 - Power-on/reset Value of RDDATA_SWAP_RISE Register
 - Power-on/reset Value of RDEDELAY_CLK Register
- **Enable Performance Monitor** settings for:
 - Dead Cycle Counter Width
 - Shift Value of Trans Counter
 - Enable Global Cycle Counter checkbox
 - Global Cycle Counter Width
- **Port Specific Performance Monitor** checkboxes for:
 - Enable Perf Mon.
 - Enable Dead Cycle Counter
- **Misc Settings**
- **Restore ECC/Debug Defaults**
- **Enable ECC**
 - **ECC Default is On** checkbox
 - **Include ECC Test** checkbox
 - **SEC Threshold** setting
 - **DEC Threshold** setting
 - **PEC Threshold** setting

Misc

When applicable, the Misc tab lets you set the following parameters:

- **IDELAY Grouping**
- **IDELAYCTRL Constraint Locations** (Hyphen separated)
- **Number of IDELAYCTRL Elements**
- **Specifies Which Port's Write FIFO will be used for Memory Initialization**
- **Number of Requests MPMC can Queue per Port**
- **Perform Shorter Simulation Initialization**
- **MPMC PIMs Software High Address**
- MMC_ADV Constraint Location (internal)
- MMCM_ADV Constraint Location (external)

When the option is greyed out, the parameter does not apply.

Reference Documents

- Embedded Development Kit (EDK) page: http://www.xilinx.com/ise/embedded/edk_docs.htm
- ISE documentation page: http://www.xilinx.com/support/documentation/dt_ise.htm
- Memory website documents: <http://www.xilinx.com/support/answers/34263.htm>
- *MicroBlaze Processor User Guide (UG081)*:
http://www.xilinx.com/support/documentation/sw_manuals/xilinx13_2/mb_ref_guide.pdf
- Spartan-3 generation FPGAs page:
http://www.xilinx.com/products/silicon_solutions/fpgas/spartan_series/index.htm
- Virtex-4 page: <http://www.xilinx.com/support/documentation/virtex-4.htm>
- Virtex-5 page: <http://www.xilinx.com/support/documentation/virtex-5.htm>
- http://www.xilinx.com/products/silicon_solutions/fpgas/virtex/virtex5/index.htm
- *Embedded Processor Block in Virtex-5 FPGAs Reference Guide*
<EDK Install Directory>/doc/usenglish/embedproc_ug200.pdf
- *Specification for PLB v4.6 Bus Protocol with Xilinx Simplifications, SP026*,
<EDK Install Directory>/doc/usenglish/sp026.pdf
- *PLB v3.6 and OPB to PLB v4.6 System and Core Migration User Guide*:
<EDK Install Directory>/doc/usenglish/mg_ug.pdf
- Application Notes:
 - XAPP768C, *Interfacing Spartan-3 Devices With 166 MHz or 333 Mb/s DDR SDRAM Memories*:
<http://www.xilinx.com/support/software/memory/protected/XAPP768c.pdf>
 - XAPP454, *DDR2 SDRAM Memory Interface for Spartan-3 FPGAs*
http://www.xilinx.com/support/documentation/application_notes/xapp454.pdf
 - XAPP701, *DDR2 SDRAM Physical Layer Using Direct-Clocking Technique*:
http://www.xilinx.com/support/documentation/application_notes/xapp701.pdf
 - XAPP851, *DDR SDRAM Controller Using Virtex-5 FPGA Devices*:
http://www.xilinx.com/support/documentation/application_notes/xapp851.pdf
 - XAPP858, *High-Performance DDR2 SDRAM Interface in Virtex-5 Devices*:
http://www.xilinx.com/support/documentation/application_notes/xapp858.pdf
- Design resources page: http://www.xilinx.com/products/design_resources/proc_central/index.htm
- Development boards page: <http://www.xilinx.com/products/devboards/index.htm>
- IBM CoreConnect documentation: *CoreConnect Device Control Register Bus: Architecture Specification, IBM CoreConnect 64-Bit Processor Local Bus: Architecture Specification and IBM CoreConnect 64-Bit On-Chip Peripheral Bus: Architectural Specification*: http://www.xilinx.com/products/ipcenter/dr_pcentral_coreconnect.htm
- LocalLink User Interface page: http://www.xilinx.com/aurora/aurora_member/sp006.pdf
- Video Starter Kit: http://www.xilinx.com/products/devboards/reference_design/vsk_s3/vsk_s3.htm
- Answer Records (Contain useful design, debug, and implementation):
http://www.xilinx.com/xlnx/xil_ans_browser.jsp
- Xilinx Answer Records sited in this document:
 - <http://www.xilinx.com/support/answers/38476.htm>
 - <http://www.xilinx.com/support/answers/24912.htm>
- Virtex-6 page: <http://www.xilinx.com/products/virtex6/index.htm>
- *Virtex-6 FPGA Memory Interface Solutions User Guide (UG406)*:
http://www.xilinx.com/support/documentation/ip_documentation/ug406.pdf
- Spartan-6 page: <http://www.xilinx.com/support/documentation/spartan-6.htm>

- *Spartan-6 FPGA Memory Controller User Guide (UG388)*:
http://www.xilinx.com/support/documentation/user_guides/ug388.pdf
- *Spartan-6 FPGA Memory Interface Solutions User Guide (UG416)*:
http://www.xilinx.com/support/documentation/ip_documentation/ug416.pdf

Revision History

The following table shows the revision history for this document:

Date	Version	Description of Revisions
03/01/2011	v6.03.a	Xilinx release in the ISE Design Suite release 13.1.
07/06/2011	v6.04.a	<p>Xilinx release in the ISE Design Suite release 13.2.</p> <ul style="list-style-type: none"> • Clarified MIG version support. Changed MIG version to v3.8. • Clarified recommended settings for Production silicon support. • Clarified requirement for ZIO I/O pin. • Added section on "Simulation Considerations". • Clarified the "Example Static PHY Calibration Algorithm". • Added "MCB Performance Mode". • Clarified "Soft Calibration Module". • Added "Unsupported MCB Features". • Modified "Simultaneous Read and Write Transfers" • Modified Spartan-6 information in Table 93. • Changed directories in "Standalone MIG GUI Flow" • Added "Special Restrictions on Connection/Routing of MPMC_PLL_Lock Input" • Modified description of MPMC GUI. • Modified figures 40 and 43. • Add a paragraph to "Line Mode 720p". • Updated the "IP Configuration Graphical User Interface".

Notice of Disclaimer

Xilinx is providing this product documentation, hereinafter "Information," to you "AS IS" with no warranty of any kind, express or implied. Xilinx makes no representation that the Information, or any particular implementation thereof, is free from any claims of infringement. You are responsible for obtaining any rights you may require for any implementation based on the Information. All specifications are subject to change without notice. XILINX EXPRESSLY DISCLAIMS ANY WARRANTY WHATSOEVER WITH RESPECT TO THE ADEQUACY OF THE INFORMATION OR ANY IMPLEMENTATION BASED THEREON, INCLUDING BUT NOT LIMITED TO ANY WARRANTIES OR REPRESENTATIONS THAT THIS IMPLEMENTATION IS FREE FROM CLAIMS OF INFRINGEMENT AND ANY IMPLIED WARRANTIES OF MERCHANTABILITY OR FITNESS FOR A PARTICULAR PURPOSE. Except as stated herein, none of the Information may be copied, reproduced, distributed, republished, downloaded, displayed, posted, or transmitted in any form or by any means including, but not limited to, electronic, mechanical, photocopying, recording, or otherwise, without the prior written consent of Xilinx.

